



PUSH-IN FITTINGS

M A D E I N I T A L Y

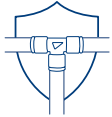




High performance fittings, easy to use



Strong but compact in order to ensure maximum assembling flexibility



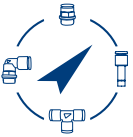
Optimized flow and guaranteed vacuum resistant



Four series that allow use in multiple sectors



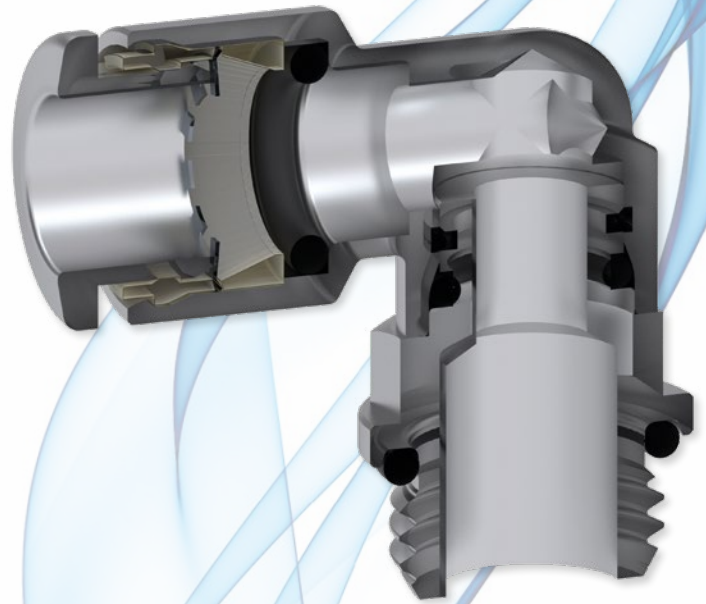
Excellent reliability and resistant thanks to the construction materials used



Complete range to facilitate assembly



Silicone free



Tierre Group's production site is located in Brescia. The plant, built on the company's 20th anniversary, represents our company policy: surrounded by greenery, in the heart of industrial Italy, it has a highly technological soul. From here we open ourselves to the whole world, producing according to the highest international standards, regulated and certified. We are dedicating great resources to innovation, which is fundamental now more than ever.

All this allows Tierre Group to be present in every possible sector:

OTR SERIES: Pneumatics and industrial automation.

HFR SERIES: Food sector and coffee machines.

LFRP SERIES: Food & Beverage, coffee machines, vending e water dispenser.

XVR SERIES: Food sector, food & beverage, coffee machines e vending.
Perfect for aggressive environments and in critical working conditions.



OTR SERIES



Materials: Nickel-plated brass
Pressure: from - 0,95 to 20 Bar
Temperature: from -20°C to 80°C
Range: from Ø4 to Ø12 / from R1/8" to R1/2"
from Ø4 to Ø12 / from M5 to G1/2"
Use: Compressed air and vacuum

HFR SERIES



Materials: TEA+ plated brass
Pressure: from - 0,95 to 20 Bar
Temperature: from -20°C to 150°C
Range: from Ø4 to Ø12 / from M5 to G1/2"
Use: Compressed air, vacuum, water and fluids suitable with the construction materials



LFRP SERIES



Materials: Yellow brass CW510L
(lead 0.1% max without exceptions)
Pressure: from - 0,95 to 20 Bar
Temperature: from -20°C to 150°C
Range: from Ø4 to Ø8 / from M5 to G3/8"
Use: Compressed air, vacuum, water and fluids suitable with the construction materials



XVR SERIES



Materials: Stainless steel AISI 316L
Pressure: from - 0,95 to 20 Bar
Temperature: from -20°C to 150°C
Range: from Ø4 to Ø12 / from R1/8" to R1/2"
from Ø4 to Ø12 / from M5 to G1/2"
Use: Compressed air, vacuum, water and fluids suitable with the construction materials





Tierre Group S.p.a.

via dell'Industria, 18 - 20032 Cormano (MI)

Tel. +39 02 663088.1 - Fax +39 02 66304172

www.tierregroup.com - info@tierregroup.com

C.F. e P.IVA 12437570158

Cap. Soc. Euro 2.000.000,00 i.v. - REA MI-1558390

Tierre Group production brochure - Ed. 1.1 - 06/24