



Safe connection. Beyond performance.



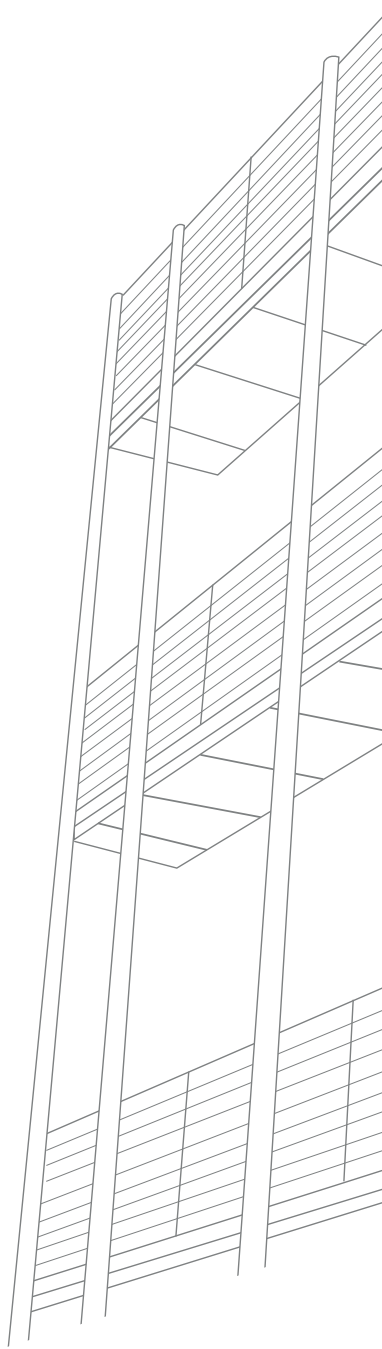
## LFRP Series

M A D E I N I T A L Y









 **TierreGroup**<sup>®</sup>

 **TierreFittings**<sup>®</sup>

 **F-Line.PRO**

 **NET.Fit**<sup>®</sup>

 **INOX.Fit**<sup>®</sup>



# FOOD & BEVERAGE LFRP SERIES



## PLUS

Built with materials that make them  
**SUITABLE FOR FOOD CONTACT AND  
POTABLE WATER**

Designed to guarantee **RELIABILITY  
AND HIGH MECHANICAL  
EFFICIENCY**

Studied to be used in the **COFFEE  
MACHINES & VENDING  
APPLICATIONS**

**BODY MADE WITH YELLOW BRASS  
CW510L (PRODUCED WITH A MAX  
LEAD CONCENTRATION OF 0,1%  
WITHOUT EXCEPTIONS)**

**EPDM PEROX SEALS** able to  
guarantee **A HIGH RESISTANCE  
TO VAPOR AND ELEVATED  
TEMPERATURES**

**TAYLOR MADE PRODUCTS ON  
SPECIFIC CUSTOMERS NEEDS**

M A D E I N I T A L Y





p. 8 / **LFRPC-G**



p. 8 / **LFRPCF-G**



p. 8 / **LFRPL-G**



p. 9 / **LFRPT-G**



p. 9 / **LFRPUC**

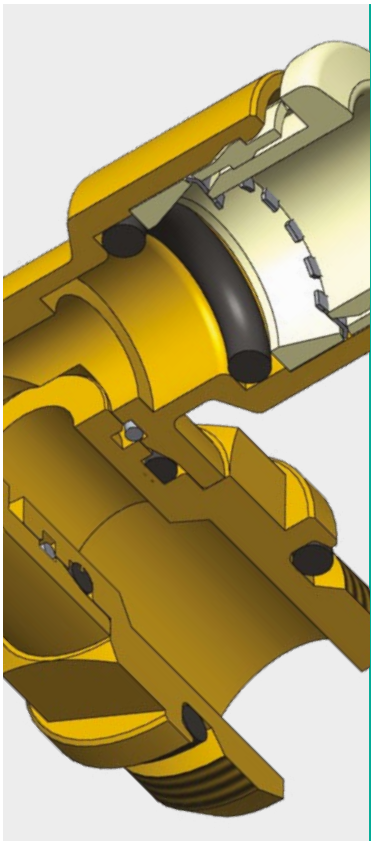


p. 9 / **LFRPUL**



p. 9 / **LFRPUT**





-20°C ÷ 150°C



**Working pressure:**  
20 Bar  
**Negative pressure:**  
- 0,95 Bar (- 95 Kpa)



Compressed air, vacuum, water and fluids suitable with the construction materials



- Parallel gas BSPP ISO 228  
G1/8" - G3/8"  
- Metric ISO 262  
M5



Polyamide PA, polyethylene PE, FEP and PTFE

**Body:** Yellow brass CW510L (lead max 0,1%, without exceptions) NSF/ANSI 372 compliant

**Collet:** High performing polymer

**Collar:** High performing polymer

**Lock claw:** Stainless steel AISI 301

**Back ring:** High performing polymer

**Seal:** EPDM Perox in compliance with all major food and potable water standards

**O-ring:** EPDM Perox in compliance with all major food and potable water standards

**Retaining ring for swivel system:** Stainless steel AISI 302

**LEAD FREE**

It's compliant with the lead content requirements for plumbing systems "LEAD FREE" (U.S. Safe Drinking Water Act).



NSF/ANSI 169



Food contact materials EC 1935/2004



D.M. 174/2004



ICIM certified product food contact materials



ICIM certified product water contact materials

**SILICONE FREE**

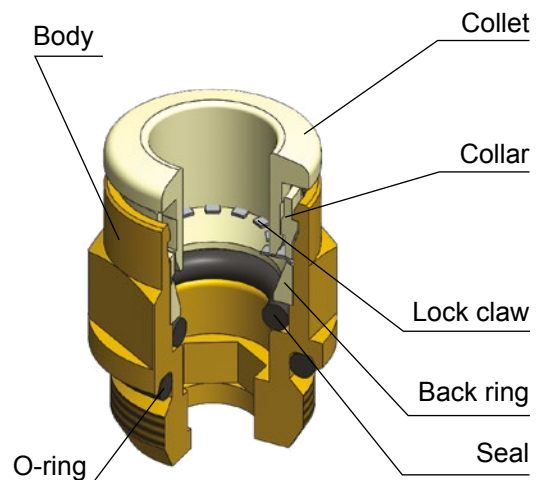
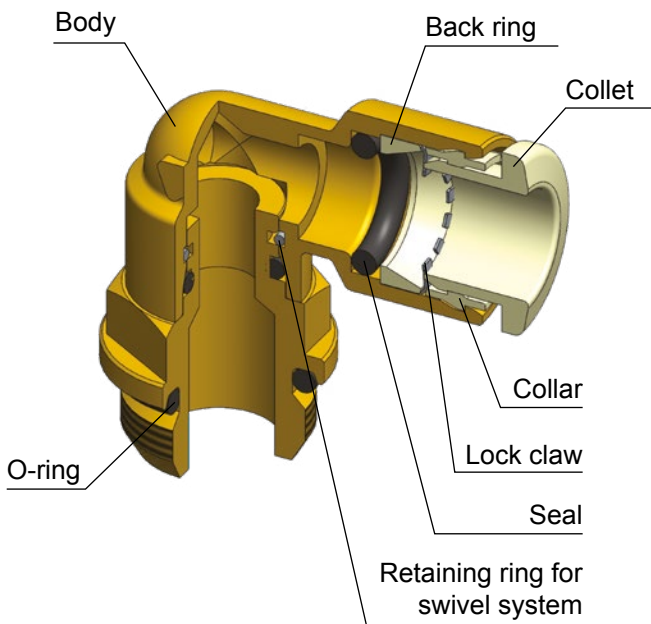


Products in compliance with the directive 1907/2006



Products with lead 0.1% max in compliance with the directive EU 2015/863 without exceptions

**CONSTRUCTION DETAILS**

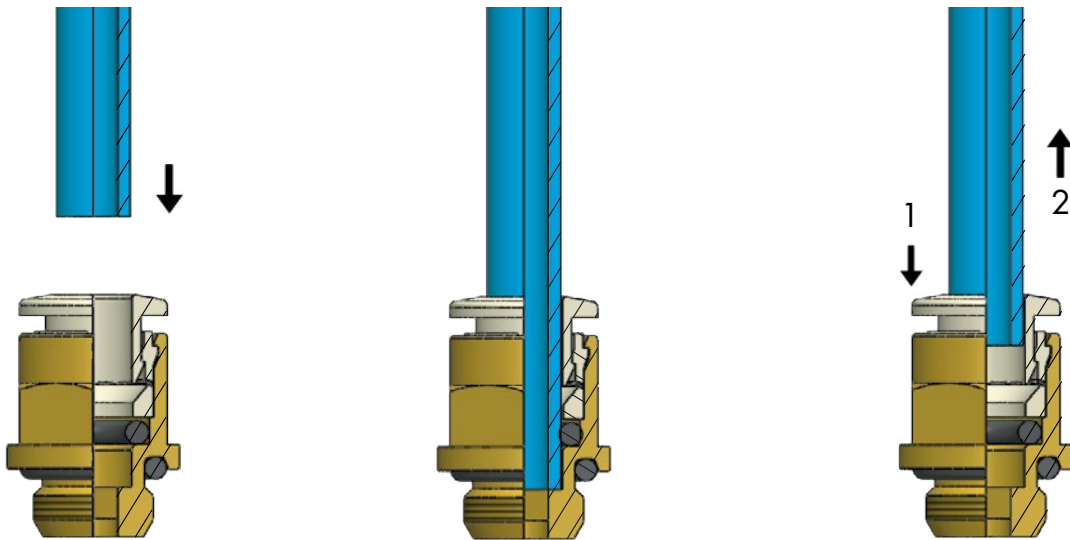


### INSERTION OF THE TUBE INTO THE FITTING

- Make sure the tube is fully inserted into the fitting.
- To insert the tube into the fitting cut the tube off square (90°), insert tube up to the fitting end stop, and pull back gently to make sure it is correctly connected.
- If there is any damage or scratches on the tube surface the tube is an oval shape, air leakage and tube release may occur. Check the tube condition carefully.
- The OD of polyurethane tube expands when pressure is applied. Reinsertion into the fitting may not always be possible. Check the OD of the tube and renew it the expansion is out of tolerance.

### DISCONNECTION OF THE TUBE FROM THE FITTING

- Make sure the pressure in the system is zero before releasing the tube from the fitting.
- To release the tube, press the release sleeve towards the fitting with one hand (1) and pull the tube away from the fitting with the other hand (2).
- Always remove the section of tube previously inserted into the fitting before reinserting the tube by cutting back the tube. Always use the correct tube cutter in order to cut the tube square and free of damage.



#### TOLERANCES - METRIC TUBE

Ø TUBE (mm)	4	6	8
TOLERANCE (mm)	± 0,1	± 0,1	± 0,1

#### INSERTION DEPTH - METRIC TUBE

Ø TUBE (mm)	4	6	8
TUBE INSERTION LENGTH (mm)	14	15,5	17,5

#### TIGHTENING TORQUE

PARALLEL GAS BSPP ISO 228 & METRIC ISO 262

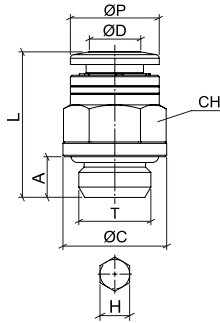
THREAD	M5x0,8	1/8"	1/4"	3/8"
Nm	1 ± 20%	6 ± 20%	7,5 ± 20%	9 ± 20%



**LFRPC-G**



Male connector BSPP & metric thread

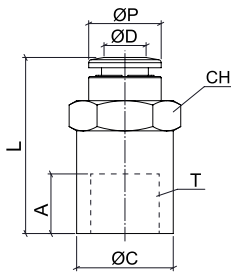


CODE	ØD	T	ØP	ØC	A	L	CH	H
LFRPC04M5	4	M5x0,8	10	7	4	19,0	9	2,5
LFRPC04G01		G 1/8"	10	14	5,5	18,0	10	3
LFRPC06M5	6	M5x0,8	12	7	4	21,0	11	2,5
LFRPC06G01		G 1/8"	12	14	5,5	19,5	12	4
LFRPC06G02		G 1/4"	12	16	6,5	19,5	12	4
LFRPC08G01	8	G 1/8"	14	14	5,5	24,5	14	5
LFRPC08G02		G 1/4"	14	16	6,5	21,5	14	6
LFRPC08G03		G 3/8"	14	20	7,5	21,5	14	6

**LFRPCF-G**



Female connector BSPP thread

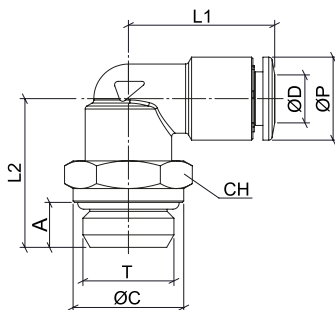


CODE	ØD	T	ØP	ØC	A	L	CH
LFRPCF04G01	4	G 1/8"	10	13	7,5	24,5	10
LFRPCF06G01	6	G 1/8"	12	13	7,5	26,0	12
LFRPCF06G02		G 1/4"	12	16	11	29,5	12
LFRPCF08G02	8	G 1/4"	14	16	11	32,0	14
LFRPCF08G03		G 3/8"	14	20	12	32,0	14

**LFRPL-G**



Swivel male elbow BSPP & metric thread

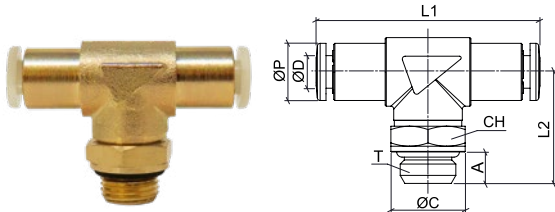


CODE	ØD	T	ØP	ØC	A	L1	L2	CH
LFRPLO4M5	4	M5x0,8	10	7	4	18,0	15,0	8
LFRPLO4G01		G 1/8"	10	13	5,5	19,5	19,0	13
LFRPLO6M5	6	M5x0,8	12	7	4	19,5	16,0	8
LFRPLO6G01		G 1/8"	12	13	5,5	21,0	19,0	13
LFRPLO6G02		G 1/4"	12	16	6,5	21,0	21,5	13
LFRPLO6G03		G 3/8"	12	20	7,5	21,0	23,0	13
LFRPLO8G01	8	G 1/8"	14	13	5,5	23,0	19,0	13
LFRPLO8G02		G 1/4"	14	16	6,5	23,0	21,5	13
LFRPLO8G03		G 3/8"	14	20	7,5	23,0	23,0	13

**LFRPT-G**



Swivel male tee BSPP thread

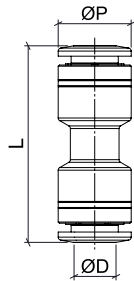


CODE	ØD	T	ØP	ØC	A	L1	L2	CH
LFRPT04G01	4	G 1/8"	10	13	5,5	39,0	19,5	13
LFRPT06G01	6	G 1/8"	12	13	5,5	42,0	19,5	13
LFRPT06G02		G 1/4"	12	16	6,5	42,0	22,0	13
LFRPT08G01	8	G 1/8"	14	13	5,5	46,5	19,5	13
LFRPT08G02		G 1/4"	14	16	6,5	46,5	22,0	13
LFRPT08G03		G 3/8"	14	20	7,5	46,5	23,5	13

**LFRPUC**



Union connector

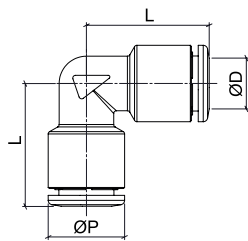


CODE	ØD	ØP	L
LFRPUC04	4	10	29,0
LFRPUC06	6	12	32,0
LFRPUC08	8	14	36,0

**LFRPUL**



Union elbow

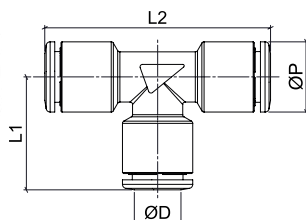


CODE	ØD	ØP	L
LFRPUL04	4	10	18,0
LFRPUL06	6	12	19,5
LFRPUL08	8	14	22,5

**LFRPUT**



Union tee



CODE	ØD	ØP	L1	L2
LFRPUT04	4	10	18,0	36,0
LFRPUT06	6	12	19,5	39,0
LFRPUT08	8	14	22,5	45,5



**NSF CERTIFICATION**

# NSF International

789 N. Dixboro Road, Ann Arbor, MI 48105 USA

RECOGNIZES

**Tierre Group S.p.A.**  
Italy

AS COMPLYING WITH NSF/ANSI 169 AND ALL APPLICABLE REQUIREMENTS.  
PRODUCTS APPEARING IN THE NSF OFFICIAL LISTING ARE  
AUTHORIZED TO BEAR THE NSF MARK.



ISO/IEC 17065  
Product Certification Body  
#0216

Certification Program  
Accredited by the  
American National  
Standards Institute



Certification Program  
Accredited by the  
Standards Council  
of Canada

This certificate is the property of NSF International and must be returned upon request. This certificate remains valid as long as this client has products in NSF's Official Listings for the referenced standards. For the most current and complete Listing information, please access NSF's website ([www.nsf.org](http://www.nsf.org)).

July 10, 2019  
Certificate# C0484626 - 01

Sarah Krol  
Global Managing Director, Food Safety Product Certification



**FOOD CONTACT MATERIALS DECLARATION - EC 1935/2004\***

\* Full declaration available on our website ([www.tierrefittings.com](http://www.tierrefittings.com)) or on request.



Tierre Group S.p.a.  
 Headquarters: Via Dell'Industria 18 – 20032 Cormano (MI) – Italy  
 Warehouse: Via Dell'Artigianato 2 – 20032 Cormano (MI) – Italy  
 Production: Via Marco Biagi 1 – 25045 Castegnato (BS) – Italy  
 C.F. and P.IVA IT 12437570158 – Cap. Soc. €2.000.000,00 i.v.  
 REA MI-1558390

Phone +39 02 663088.1 – Fax +39 02 66304172  
[www.tierregroup.com](http://www.tierregroup.com) – [info@tierregroup.com](mailto:info@tierregroup.com)

**DECLARATION OF CONFORMITY  
 FCMs**



**Food Contact Materials**

**TIERRE GROUP S.p.a.**

**DECLARES**

That the items related to the following product ranges:

***SERIES LFR(P)***

*Brass CW510L push-in fittings*

**ARE IN COMPLIANCE WITH**

To the following General Community Legislation

**EC 1935/2004** regulation of the European Parliament and of the Council dated 27<sup>th</sup> October 2004 on materials and articles intended to come into contact with food and abrogating the Directives 80/590/EEC and 89/109/EEC.

Commission Regulation **EC 2023/2006** dated 22<sup>nd</sup> December 2006 on good manufacturing practice for materials and articles intended to come into contact with food.

Commission Regulation **EC 10/2011 and others after then**, on plastic materials and articles intended to come into contact with food.

Regulation **(EU) 2025/351** amending Regulation (EU) No 10/2011 on plastic materials.

To the following General National Legislation:

**Art. 1, art. 3, art 4 paragraph 5, art. 6 of the Presidential Decree dated 23rd August 1982, No. 777**, Implementation of the Directive (EEC) No. 76/893 and subsequent amendments, starting from the entry into force of the Legislative Decree dated 10<sup>th</sup> February 2017, No. 29, Sanctioning discipline for the violation of the provisions as listed in the CE regulations regarding materials and objects intended to come into contact with food products and food in general;

To the following Specific National Legislation:

**Ministerial Decree No. 34 dated 21st March 1973**, Hygienic regulations for packaging, containers, utensils intended to come into contact with food substances or substances for personal use and subsequent updates and modifications;



**D.M. 174/2004 DECLARATION**

\* Full declaration available on our website ([www.tierrefittings.com](http://www.tierrefittings.com)) or on request.



Tierre Group S.p.a.  
 Headquarter: Via Dell'Industria 18 – 20032 Cormano (MI) – Italy  
 Warehouse: Via Dell'Artigianato 2 – 20032 Cormano (MI) – Italy  
 Production: Via Marco Biagi 1 – 25045 Castegnato (BS) – Italy  
 C.F. e P.IVA IT 12437570158 – Capital €120.000,00  
 REA MI-1558390

Phone. +39 02 663088.1 – Fax +39 02 66304172  
[www.tierregroup.com](http://www.tierregroup.com) – [info@tierregroup.com](mailto:info@tierregroup.com)

**DECLARATION OF CONFORMITY  
 D.M. 174/2004**



Regulation concerning materials and objects intended to be used in fixed systems for the collection, treatment, adduction and distribution of water for human consumption.

**TIERRE GROUP S.p.a.  
 DECLARES**

that the items related to the following product range

**PUSH-IN FITTINGS  
 LFR(P) SERIES**

items produced with the following materials  
 UNI EN 12164 CW510 L brass - AISI 316L Stainless Steel - AISI 302 Stainless Steel  
 PVDF UHM - EPDM Perox

**ARE IN COMPLIANCE WITH**

**Legislative Decree 102 of June 25, 2025, which repeals and replaces D.M. 174 of April 6, 2004,** concerning materials in contact with drinking water. This new legislative decree updates Italian legislation by transposing European Directive 2020/2184 and establishes new rules for drinking water quality, introducing stricter parameters and strengthening controls.

The conformity test has been realized by ICIM on the basis of the above.

It's responsibility of the user to check the eventual suitability of the products for the usage at the specific conditions of use. Tierre Group S.p.a. recommends to do a washing cycle of the circuit realized using the products object of this declaration before starting the system.

This declaration doesn't give any indication regarding the usability from a technical and a technological point of view. It's responsibility of the user to check the suitability of the material for the application. At the same time it's responsibility of the industrial and the commercial operators to maintain the traceability of the products supplied by Tierre Group S.p.a.

All the supporting documents relating to this declaration, including those referring to the tests realized on the products and demonstrating the conformity of the products themselves, are available to be checked by the competent authorities, when asked, at the Tierre Group S.p.a. headquarters.

This declaration is valid starting from the date below mentioned and will be replaced if some substantial changes are introduced, such as modifications in the production of materials changing the essential requirements in compliance with the conformity or modifications and updates in the legislative references mentioned in this declaration. In these cases a new audit will be required in accordance with the conformity.

Cormano, 25<sup>th</sup> June 2025

TIERRE GROUP S.p.a.  
 Dott. Marco Regis



M2DC rev.0 Gennaio 2020















**Tierre Group S.p.a.**

via dell'Industria, 18 - 20032 Cormano (MI)

Tel. +39 02 663088.1 - Fax +39 02 66304172

[www.tierregroup.com](http://www.tierregroup.com) - [info@tierregroup.com](mailto:info@tierregroup.com)

C.F. e P.IVA 12437570158

Cap. Soc. Euro 2.000.000,00 i.v. - REA MI-1558390