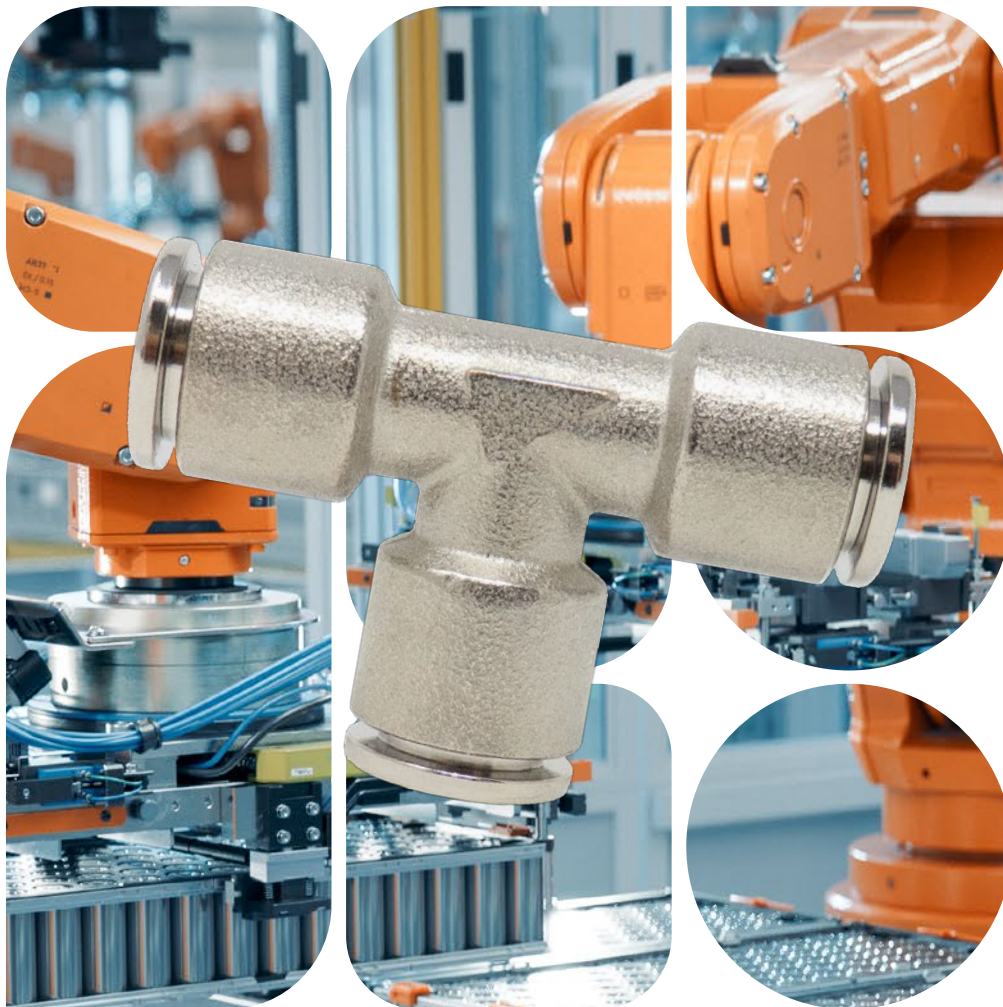




Safe connection. Beyond performance.

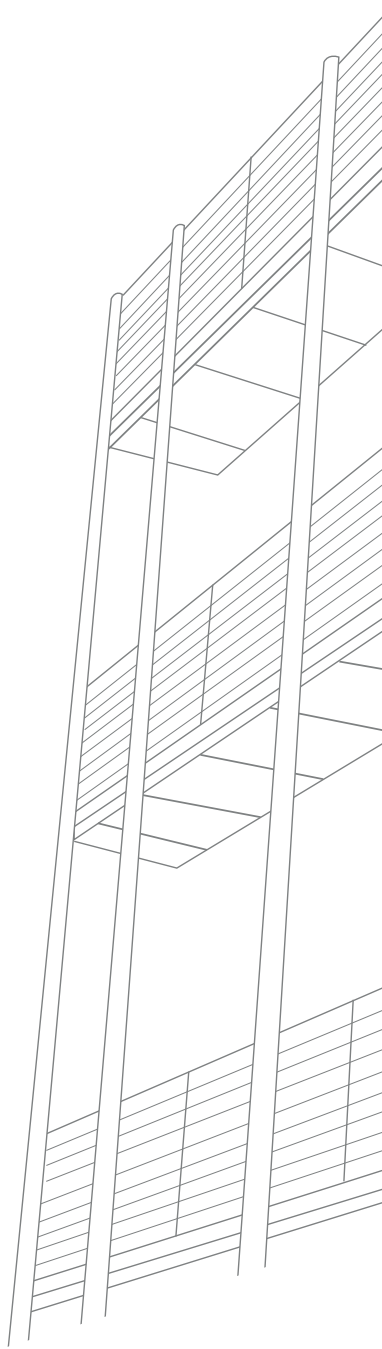


Serie OTR

MADE IN ITALY







 **TierreGroup**[®]

 **TierreFittings**[®]

 **F-Line.PRO**

 **NET.Fit**[®]

 **INOX.Fit**[®]



INNESTI RAPIDI SERIE OTR

PLUS

Raccordi di facile utilizzo con
PRESTAZIONI ELEVATE

ROBUSTI ma al tempo stesso
COMPATTI per garantire la massima
flessibilità di assemblaggio

GAMMA COMPLETA idonea
all'utilizzo con tubi di diverse tipologie

NICHELATI ELETTROLITICAMENTE al
fine di garantire la massima durata nel
tempo

SISTEMA PINZA STATICO al fine di
annullare i movimenti del tubo una volta
inserito, garantendo una tenuta perfetta

Ogni raccordo è **STUDIATO**
PER GARANTIRE IL MASSIMO
PASSAGGIO POSSIBILE in funzione
del diametro del tubo e dell'eventuale
filettatura

Possibilità di sviluppo di **PRODOTTI**
PERSONALIZZATI SU SPECIFICA
RICHIESTA

M A D E I N I T A L Y





p. 79 / **OTRC-R**



p. 79 / **OTRC-G**



p. 80 / **OTRC-N**



p. 80 / **OTROC-G**



p. 80 / **OTROC-N**



p. 81 / **OTRCF-G**



p. 81 / **OTRMM**



p. 81 / **OTRME**



p. 82 / **OTRL-R**



p. 82 / **OTRL-G**



p. 83 / **OTRL-N**



p. 83 / **OTRLF-G**



p. 83 / **OTRT-R**



p. 84 / **OTRT-G**



p. 84 / **OTRT-N**



p. 85 / **OTRST-R**



p. 85 / **OTRST-G**



p. 86 / **OTRA-G**



p. 86 / **OTRUC**



p. 87 / **OTRUL**



p. 87 / **OTRUT**

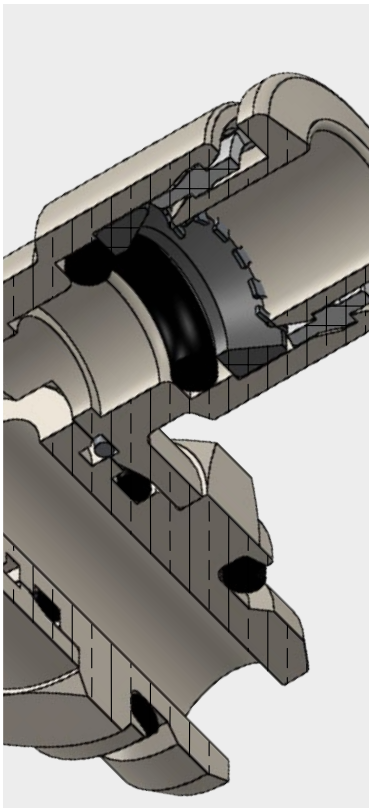


p. 88 / **OTRY**



p. 88 / **OTRGJ**





-20°C ÷ 80°C



Pressione d'esercizio:

20 Bar

Pressione negativa:

-0,95 Bar (-95 Kpa)



Aria compressa & Vuoto



- Conica gas BSPT ISO 7 da R1/8" a R1/2"
- Cilindrica gas BSPP ISO 228 da G1/8" a G1/2"
- Metrica ISO 262 M5 e M7
- NPT ANSI B 1.20.1 da N1/8" a N1/2"
- UNF ANSI B 1.1 10-32 UF



Poliammide PA,
Poliuretano PU,
Polietilene PE

Corpo: Ottone nichelato

UNI EN 12164 CW617N

Collare: POM

Colletto: Ottone nichelato

UNI EN 12164 CW617N



Pinza: Acciaio inox AISI 301

Distanziale: PBT

O-ring: NBR senza silicone

Guarnizione: NBR senza silicone

Anello di tenuta per sistemi girevoli:

Acciaio inox AISI 302

SILICONE FREE

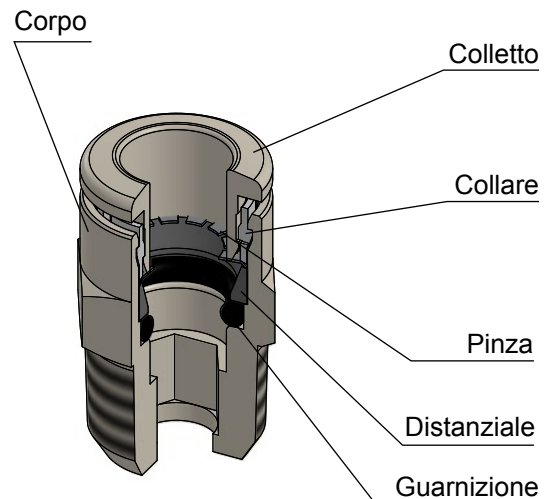
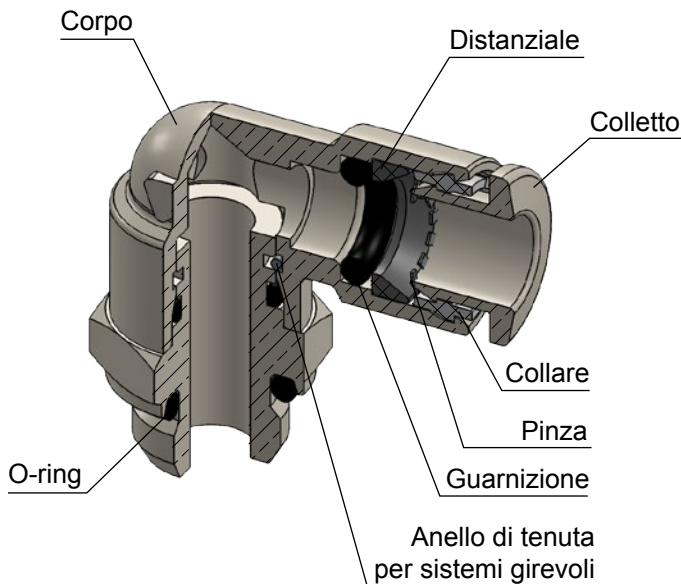


Prodotti conformi al regolamento CE 1907/2006

RoHS3

Prodotti conformi alla direttiva EU 2015/863

DETTAGLI COSTRUTTIVI



COPPIA DI SERRAGGIO

CONICA GAS BSPT ISO 7 & NPT ANSI B 1.20.1

FILETTO	1/8"	1/4"	3/8"	1/2"	1/8" NPT	1/4" NPT	3/8" NPT	1/2" NPT
Nm	10-12	14-16	16-18	18-20	3,5	4,5	7	12

COPPIA DI SERRAGGIO

CILINDRICA GAS BSPP ISO 228 & METRICA ISO 262

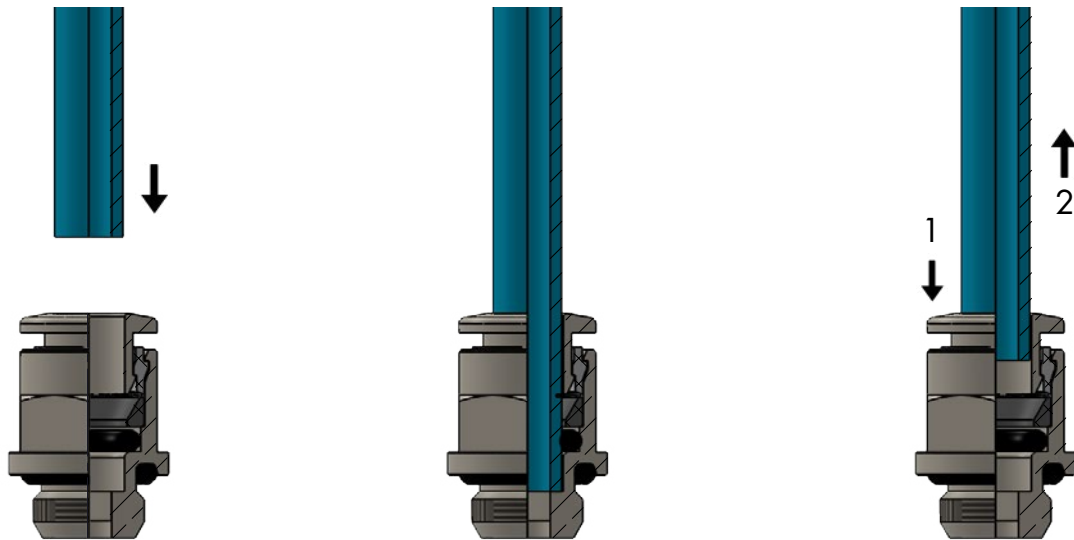
FILETTO	M5x0,8	M7x1,0	1/8"	1/4"	3/8"	1/2"
Nm	1 ± 20%	3 ± 20%	6 ± 20%	7,5 ± 20%	9 ± 20%	9 ± 20%

CONNESSIONE DEL TUBO AL RACCORDO

- Assicurarsi che il tubo sia sempre inserito completamente fino a battuta.
- Tagliare il tubo a 90° mediante l'utilizzo di un apposito cutter, inserirlo fino a battuta e tirarlo con accortezza per accertare il corretto inserimento.
- Se ci sono danni o imperfezioni sulla superficie del tubo o se lo stesso risulta ovalizzato si possono verificare delle perdite od una imprevista disconnessione. Verificare il tutto scrupolosamente.
- Il diametro esterno del tubo in poliuretano si espande in base alla pressione applicata. Pertanto il reinserimento nel raccordo potrebbe non essere più possibile.
- Tagliare la parte di tubo agganciata al raccordo per poterlo riutilizzare.

DISCONNESSIONE DEL TUBO DAL RACCORDO

- Accertarsi che il tubo non sia in pressione prima di disconnettere lo stesso dal raccordo.
- Per sganciare il tubo premere l'anello di sgancio (1), tirare ed estrarre il tubo (2) contemporaneamente.
- Tagliare la parte di tubo agganciata al raccordo per poterlo riutilizzare.



TOLLERANZA - TUBO METRICO

Ø TUBO (mm)	4	6	8	10	12
TOLLERANZA (mm)	± 0,1	± 0,1	± 0,1	± 0,15	± 0,15

INSERIMENTO - TUBO METRICO

Ø TUBO (mm)	4	6	8	10	12
LUNGHEZZA DI INSERIMENTO TUBO (mm)	14	15,5	17,5	19	21

TOLLERANZA - TUBO IN POLLICI

Ø TUBO	5/32"	1/4"	5/16"	3/8"	1/2"
TOLLERANZA (mm)	±0,1	±0,1	±0,1	± 0,15	± 0,15

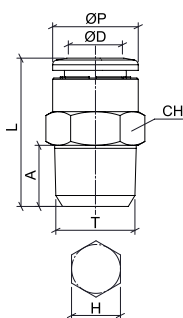
INSERIMENTO - TUBO IN POLLICI

Ø TUBO	5/32"	1/4"	5/16"	3/8"	1/2"
LUNGHEZZA DI INSERIMENTO TUBO (mm)	14	16	17,5	18,5	21,5



OTRC-R

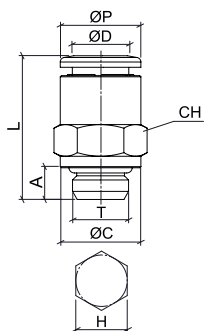
Diritto maschio conico BSPT nichelato per tubo metrico



CODICE	ØD	T	ØP	A	L	CH	H	g
OTRC04R01	4	R 1/8"	10	8	18,5	10	3	7,0
OTRC04R02		R 1/4"	10	10	20,0	14	3	15,4
OTRC06R01	6	R 1/8"	12	8	21,0	12	4	9,0
OTRC06R02		R 1/4"	12	10	20,5	14	4	14,0
OTRC08R01	8	R 1/8"	14	8	26,0	14	5	15,0
OTRC08R02		R 1/4"	14	10	24,0	14	6	15,0
OTRC08R03		R 3/8"	14	11	22,0	17	6	24,0
OTRC10R02	10	R 1/4"	16	10,5	30,0	16	7	22,0
OTRC10R03		R 3/8"	16	11	25,0	17	8	23,0
OTRC10R04		R 1/2"	16	14	25,5	22	8	45,0
OTRC12R02	12	R 1/4"	19	10	33,0	19	6	21,0
OTRC12R03		R 3/8"	19	11	29,5	19	10	27,0
OTRC12R04		R 1/2"	19	14	27,0	22	10	44,5

OTRC-G

Diritto maschio cilindrico BSPP & metrico nichelato per tubo metrico



CODICE	ØD	T	ØP	ØC	A	L	CH	H	g
OTRC04M5	4	M5x0,8	10	7	4	19,0	9	2,5	5,0
OTRC04G01		G 1/8"	10	14	5,5	18,0	10	3	8,0
OTRC04G02		G 1/4"	10	16	6,5	18,0	10	3	11,0
OTRC06M5	6	M5x0,8	12	7	4	21,0	11	2,5	8,0
OTRC06G01		G 1/8"	12	14	5,5	19,5	12	4	9,0
OTRC06G02		G 1/4"	12	16	6,5	19,5	12	4	12,0
OTRC08G01	8	G 1/8"	14	14	5,5	24,5	14	5	14,0
OTRC08G02		G 1/4"	14	16	6,5	21,5	14	6	13,5
OTRC08G03		G 3/8"	14	20	7,5	21,5	14	6	20,0
OTRC10G02	10	G 1/4"	16	16	6,5	27,5	16	7	19,0
OTRC10G03		G 3/8"	16	20	7,5	25,0	16	8	22,0
OTRC10G04		G 1/2"	16	25	9	25,0	16	8	33,0
OTRC12G02	12	G 1/4"	19	16	6,5	30,0	19	6	28,0
OTRC12G03		G 3/8"	19	22	7,5	29,5	19	10	30,0
OTRC12G04		G 1/2"	19	25	9	28,0	19	10	37,0

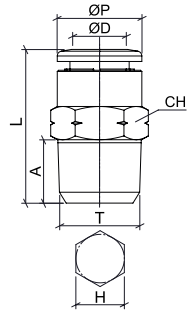
Diritto maschio cilindrico BSPP & metrico nichelato per tubo in pollici

CODICE	ØD	T	ØP	ØC	A	L	CH	H	g
OTRC1-4M5	1/4"	M5x0,8	13	7	4	22,0	13	2,5	8,0
OTRC1-4G01		G 1/8"	13	13	5,5	20,0	13	4	9,0
OTRC38G03	3/8"	G 3/8"	16	20	7,5	25,0	16	8	22,0



OTRC-N

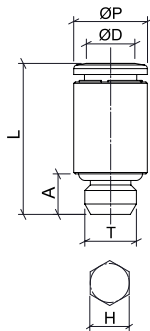
Diritto maschio NPT nichelato per tubo in pollici



CODICE	ØD	T	ØP	A	L	CH	H	g
OTRC532N01	5/32"	N 1/8"	10	8,5	19,0	7/16"	1/8"	9,0
OTRC532N02		N 1/4"	10	10,5	20,5	9/16"	1/8"	16,0
OTRC1-4N01	1/4"	N 1/8"	13	8,5	22,5	1/2"	3/16"	11,0
OTRC1-4N02		N 1/4"	13	10,5	22,5	9/16"	3/16"	15,0
OTRC516N01	5/16"	N 1/8"	14	8,5	27,0	9/16"	3/16"	15,5
OTRC516N02		N 1/4"	14	10,5	25,5	9/16"	1/4"	16,0
OTRC516N03		N 3/8"	14	11,5	23,5	11/16"	1/4"	25,0
OTRC38N01	3/8"	N 1/8"	16	8,5	29,0	11/16"	3/16"	21,5
OTRC38N02		N 1/4"	16	10,5	30,0	11/16"	1/4"	25,0
OTRC38N03		N 3/8"	16	11,5	26,0	11/16"	5/16"	24,0
OTRC38N04		N 1/2"	16	14,5	27,0	7/8"	5/16"	46,0
OTRC1-2N02	1/2"	N 1/4"	19	10,5	34,0	7/8"	1/4"	37,0
OTRC1-2N03		N 3/8"	19	11,5	34,5	7/8"	3/8"	39,0
OTRC1-2N04		N 1/2"	19	14,5	30,5	7/8"	3/8"	43,0

OTROC-G

Diritto maschio tondo metrico nichelato per tubo metrico

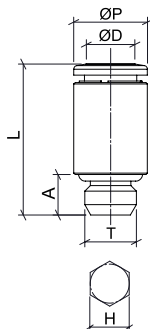


CODICE	ØD	T	ØP	A	L	H	g
OTROC04M5	4	M5x0,8	10	4	19,0	2,5	-
OTROC04M6	4	M6x1	10	4,5	20,0	2,5	-
OTROC04M7	4	M7x1	10	5,5	20,5	2,5	-
OTROC06M5	6	M5x0,8	12	4	21,1	2,5	-
* OTROC06M7C	6	M7x1	10	5,5	20,5	4	-

* versione compatta

OTROC-N

Diritto maschio tondo UNF nichelato per tubo in pollici

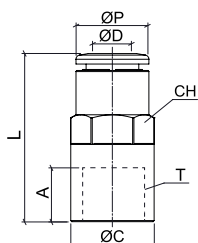


CODICE	ØD	T	ØP	A	L	H	g
OTROC532UF1032	5/32"	UNF 10-32	10	4	19,0	3/32"	12,0
OTROC1-4UF1032	1/4"	UNF 10-32	13	4	21,5	3/32"	16,0



OTRCF-G

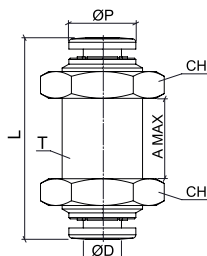
Diritto femmina cilindrico BSPP nichelato per tubo metrico



CODICE	ØD	T	ØP	ØC	A	L	CH	g
OTRCF04G01	4	G 1/8"	10	13	7,5	24,5	10	-
OTRCF04G02		G 1/4"	10	16	11	28,5	10	-
OTRCF06G01	6	G 1/8"	12	13	7,5	26,1	12	-
OTRCF06G02		G 1/4"	12	16	11	29,6	12	-
OTRCF08G01	8	G 1/8"	14	13	7,5	27,2	14	-
OTRCF08G02		G 1/4"	14	16	11	32,2	14	-

OTRMM

Passaparete nichelato per tubo metrico



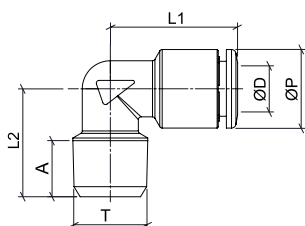
CODICE	ØD	T	ØP	L	A MAX	CH	g
OTRMM04-532	4	M12x1	10	30,0	12	16	23,0
OTRMM0600	6	M14x1	12	35,5	15	17	31,0
OTRMM08-516	8	M16x1	14	36,5	16	19	36,0
OTRMM1000	10	M20x1	16	43,0	19	24	70,0
OTRMM1200	12	M22x1,5	19	44,0	20	25	76,0

Passaparete nichelato per tubo in pollici

CODICE	ØD	T	ØP	L	A MAX	CH	g
OTRMM1-4	1/4"	M16x1	13	35,6	13	17	31,0
OTRMM38	3/8"	M20x1	16	42,5	17	24	70,0

OTRME

Gomito maschio fisso conico BSPT nichelato per tubo metrico

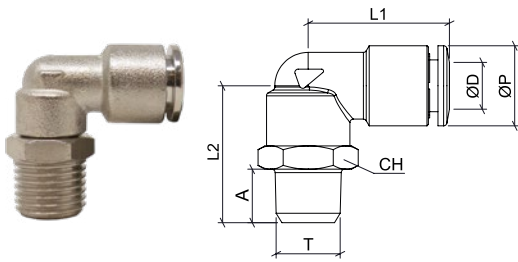


CODICE	ØD	T	ØP	A	L1	L2	g
OTRME04R01	4	R 1/8"	10	8	18,0	15,5	11,0
OTRME06R01	6	R 1/8"	12	8	19,5	15,5	15,0
OTRME06R02		R 1/4"	12	10	20,5	19,0	20,0
OTRME08R01	8	R 1/8"	14	8	22,5	16,5	20,0
OTRME08R02		R 1/4"	14	10	22,5	19,0	24,0



OTRL-R

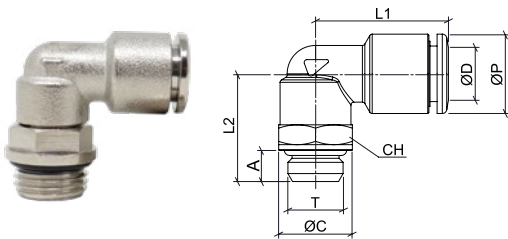
Gomito maschio girevole conico BSPT nichelato per tubo metrico



CODICE	ØD	T	ØP	A	L1	L2	CH	g
OTRL04R01	4	R 1/8"	10	8	19,5	20,5	13	20,0
OTRL04R02		R 1/4"	10	10	19,5	23,0	14	23,0
OTRL06R01	6	R 1/8"	12	8	21,0	20,5	13	20,0
OTRL06R02		R 1/4"	12	10	21,0	23,0	14	24,0
OTRL08R01	8	R 1/8"	14	8	23,0	20,5	13	22,0
OTRL08R02		R 1/4"	14	10	23,0	23,0	14	26,0
OTRL08R03		R 3/8"	14	11	23,0	24,5	17	32,0
OTRL10R02	10	R 1/4"	16	10	26,0	25,5	16	41,0
OTRL10R03		R 3/8"	16	11	26,0	27,0	17	45,0
OTRL10R04		R 1/2"	16	14	26,0	30,0	22	59,0
OTRL12R02	12	R 1/4"	19	10	31,0	28,0	20	56,0
OTRL12R03		R 3/8"	19	11	31,0	28,5	20	59,0
OTRL12R04		R 1/2"	19	14	31,0	31,5	22	70,0

OTRL-G

Gomito maschio girevole cilindrico BSPP & metrico nichelato per tubo metrico



CODICE	ØD	T	ØP	ØC	A	L1	L2	CH	g
OTRL04M5	4	M5x0,8	10	7	4	18,0	15,0	8	5,0
OTRL04G01		G 1/8"	10	13	5,5	19,5	19,0	13	19,0
OTRL04G02		G 1/4"	10	16	6,5	19,5	21,5	13	22,0
OTRL06M5	6	M5x0,8	12	7	4	19,5	16,0	8	11,0
OTRL06G01		G 1/8"	12	13	5,5	21,0	19,0	13	20,0
OTRL06G02		G 1/4"	12	16	6,5	21,0	21,5	13	24,0
OTRL08G01	8	G 1/8"	14	13	5,5	23,0	19,0	13	22,0
OTRL08G02		G 1/4"	14	16	6,5	23,0	21,5	13	24,0
OTRL08G03		G 3/8"	14	20	7,5	23,0	23,0	13	28,0
OTRL10G02	10	G 1/4"	16	16	6,5	26,0	23,0	16	35,0
OTRL10G03		G 3/8"	16	20	7,5	26,0	26,0	16	43,5
OTRL10G04		G 1/2"	16	25	9	26,0	27,5	16	52,0
OTRL12G02	12	G 1/4"	19	16	6,5	31,0	25,5	20	55,0
OTRL12G03		G 3/8"	19	20	7,5	31,0	26,5	20	55,0
OTRL12G04		G 1/2"	19	25	9	31,0	29,0	20	63,0

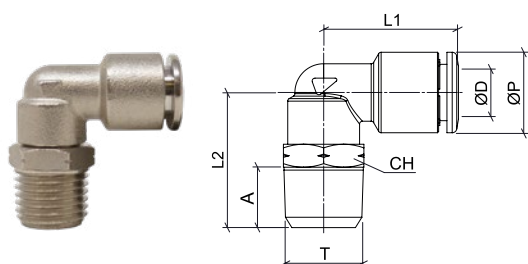
Gomito maschio girevole cilindrico BSPP nichelato per tubo in pollici

CODICE	ØD	T	ØP	ØC	A	L1	L2	CH	g
OTRL1-4G01	1/4"	G 1/8"	13	13	5,5	22,0	19,0	13	20,0
OTRL1-4G02		G 1/4"	13	16	6,5	22,0	21,5	13	24,0
OTRL38G02	3/8"	G 1/4"	16	16	6,5	26,0	23,0	16	35,0
OTRL38G03		G 3/8"	16	20	7,5	26,0	26,0	16	43,5



OTRL-N

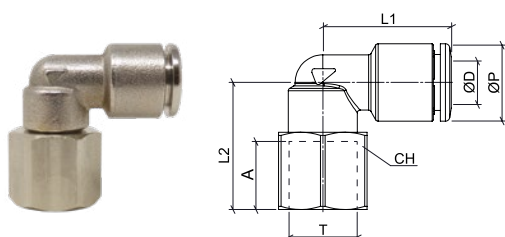
Gomito maschio girevole NPT & UNF nichelato per tubo in pollici



CODICE	ØD	T	ØP	A	L1	L2	CH	g
OTRL532UF1032	5/32"	UNF 10/32"	10	4	18,0	15,0	3/8"	11,0
OTRL532N01		N 1/8"	10	8,5	19,5	21,0	9/16"	20,5
OTRL532N02		N 1/4"	10	10,5	19,5	23,5	9/16"	24,0
OTRL1-4N01	1/4"	N 1/8"	13	8,5	21,5	21,0	9/16"	23,0
OTRL1-4N02		N 1/4"	13	10,5	21,5	23,5	9/16"	26,0
OTRL516N01	5/16"	N 1/8"	14	8,5	23,5	21,0	9/16"	23,0
OTRL516N02		N 1/4"	14	10,5	23,5	23,5	9/16"	24,0
OTRL516N03		N 3/8"	14	11,5	23,5	25,0	11/16"	34,0
OTRL38N01	3/8"	N 1/8"	16	8,5	26,0	24,0	11/16"	40,0
OTRL38N02		N 1/4"	16	10,5	26,0	26,0	11/16"	43,0
OTRL38N03		N 3/8"	16	11,5	26,0	27,5	11/16"	47,0
OTRL38N04		N 1/2"	16	14,5	26,0	30,5	7/8"	60,0
OTRL1-2N02	1/2"	N 1/4"	19	10,5	31,0	28,5	7/8"	58,0
OTRL1-2N03		N 3/8"	19	11,5	31,0	29,5	7/8"	61,0
OTRL1-2N04		N 1/2"	19	14,5	31,0	32,5	7/8"	67,0

OTRLF-G

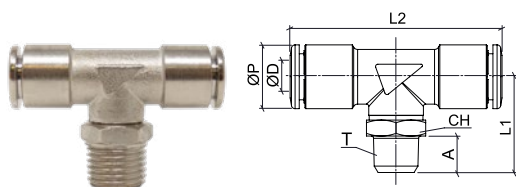
Gomito femmina girevole cilindrico BSPP nichelato per tubo metrico



CODICE	ØD	T	ØP	A	L1	L2	CH	g
OTRLF04G01	4	G 1/8"	10	7,5	19,5	19,2	13	-
OTRLF06G01	6	G 1/8"	12	7,5	21,1	19,0	13	-
OTRLF06G02		G 1/4"	12	11	21,1	23,0	16	-
OTRLF08G01	8	G 1/8"	14	7,5	23,2	19,0	13	-
OTRLF08G02		G 1/4"	14	11	23,2	23,0	16	-

OTRT-R

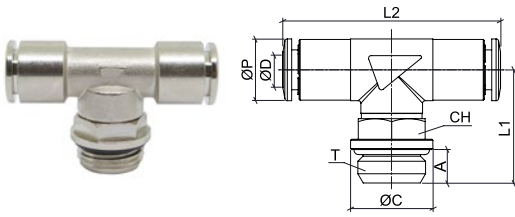
T centrale maschio girevole conico BSPT nichelato per tubo metrico



CODICE	ØD	T	ØP	A	L1	L2	CH	g
OTRT04R01	4	R 1/8"	10	8	21,0	39,0	13	27,0
OTRT04R02		R 1/4"	10	10	23,5	39,0	14	31,0
OTRT06R01	6	R 1/8"	12	8	21,0	42,0	13	30,0
OTRT06R02		R 1/4"	12	10	23,5	42,0	14	34,0
OTRT08R01	8	R 1/8"	14	8	21,0	46,5	13	34,0
OTRT08R02		R 1/4"	14	10	23,5	46,5	14	37,0
OTRT08R03		R 3/8"	14	11	24,0	46,5	17	44,0
OTRT10R02	10	R 1/4"	16	10	25,5	52,0	16	55,0
OTRT10R03		R 3/8"	16	11	27,0	52,0	17	58,5
OTRT10R04		R 1/2"	16	14	30,0	52,0	22	73,0
OTRT12R02	12	R 1/4"	19	10	28,0	62,0	20	77,0
OTRT12R03		R 3/8"	19	11	28,5	62,0	20	80,0
OTRT12R04		R 1/2"	19	14	31,5	62,0	22	81,0

OTRT-G

T centrale maschio girevole cilindrico BSPP & metrico nichelato per tubo metrico



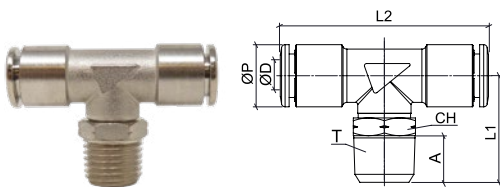
CODICE	ØD	T	ØP	ØC	A	L1	L2	CH	g
OTRT04M5	4	M5x0,8	10	7	4	17,0	32,0	8	17,0
OTRT04G01		G 1/8"	10	13	5,5	19,5	39,0	13	29,0
OTRT04G02		G 1/4"	10	16	6,5	22,0	39,0	13	29,0
OTRT06M5	6	M5x0,8	12	7	4	17,0	40,0	8	21,0
OTRT06G01		G 1/8"	12	13	5,5	19,5	42,0	13	29,0
OTRT06G02		G 1/4"	12	16	6,5	22,0	42,0	13	32,0
OTRT08G01	8	G 1/8"	14	13	5,5	19,5	46,5	13	33,0
OTRT08G02		G 1/4"	14	16	6,5	22,0	46,5	13	35,5
OTRT08G03		G 3/8"	14	20	7,5	23,5	46,5	13	39,0
OTRT10G02	10	G 1/4"	16	16	6,5	23,0	52,0	16	52,0
OTRT10G03		G 3/8"	16	20	7,5	26,0	52,0	16	56,0
OTRT10G04		G 1/2"	16	25	9	27,5	52,0	16	64,5
OTRT12G02	12	G 1/4"	19	16	6,5	25,5	62,0	20	75,0
OTRT12G03		G 3/8"	19	20	7,5	26,5	62,0	20	77,0
OTRT12G04		G 1/2"	19	25	9	29,0	62,0	20	82,0

T centrale maschio girevole cilindrico BSPP nichelato per tubo in pollici

CODICE	ØD	T	ØP	ØC	A	L1	L2	CH	g
OTRT1-4G01	1/4"	G 1/8"	13	13	5,5	19,5	42,5	13	29,0
OTRT1-4G02		G 1/4"	13	16	6,5	22,0	42,5	13	32,0
OTRT38G02	3/8"	G 1/4"	16	16	6,5	23,0	51,5	16	52,0
OTRT38G03		G 3/8"	16	20	7,5	26,0	51,5	16	56,0

OTRT-N

T centrale maschio girevole NPT & UNF nichelato per tubo in pollici

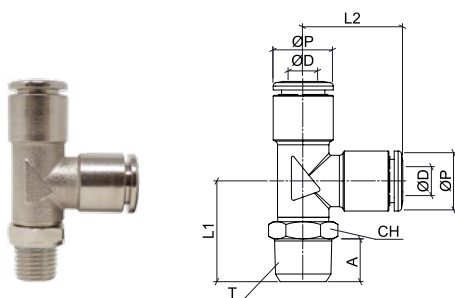


CODICE	ØD	T	ØP	A	L1	L2	CH	g
OTRT532UF1032	5/32"	UNF 10-32"	10	4	17,0	32,0	3/8"	17,0
OTRT532N01		N 1/8"	10	8,5	21,5	39,0	9/16"	28,0
OTRT532N02		N 1/4"	10	10,5	24,0	39,0	9/16"	31,0
OTRT1-4N01	1/4"	N 1/8"	13	8,5	21,5	42,5	9/16"	33,0
OTRT1-4N02		N 1/4"	13	10,5	24,0	42,5	9/16"	36,0
OTRT516N01	5/16"	N 1/8"	14	8,5	21,5	47,0	9/16"	34,0
OTRT516N02		N 1/4"	14	10,5	24,0	47,0	9/16"	37,0
OTRT38N02	3/8"	N 1/4"	16	10,5	26,0	51,5	11/16"	58,0
OTRT38N03		N 3/8"	16	11,5	27,5	51,5	11/16"	61,0
OTRT1-2N02	1/2"	N 1/4"	19	10,5	28,5	62,5	7/8"	75,0
OTRT1-2N03		N 3/8"	19	11,5	29,5	62,5	7/8"	78,0



OTRST-R

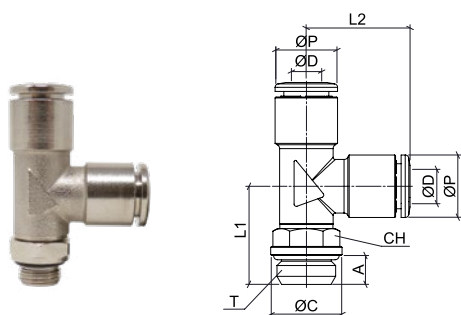
T laterale maschio girevole conico BSPT nichelato per tubo metrico



CODICE	ØD	T	ØP	A	L1	L2	CH
OTRST04R01	4	R 1/8"	10	8	21,0	19,5	13
OTRST04R02		R 1/4"	10	10	23,5	19,5	14
OTRST06R01	6	R 1/8"	12	8	21,0	21,0	13
OTRST06R02		R 1/4"	12	10	23,5	21,0	14
OTRST08R01	8	R 1/8"	14	8	21,0	23,0	13
OTRST08R02		R 1/4"	14	10	23,5	23,0	14
OTRST10R02	10	R 1/4"	16	10	25,5	26,0	16
OTRST10R03		R 3/8"	16	11	27,0	26,0	17
OTRST12R03	12	R 3/8"	19	11	37,0	29,0	20
OTRST12R04		R 1/2"	19	14	40,0	29,0	22

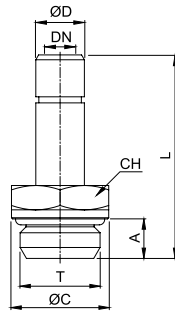
OTRST-G

T laterale maschio girevole cilindrico BSPP nichelato per tubo metrico



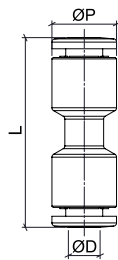
CODICE	ØD	T	ØP	ØC	A	L1	L2	CH
OTRST04G01	4	G 1/8"	10	13	5,5	19,5	19,5	13
OTRST04G02		G 1/4"	10	16	6,5	22,0	19,5	13
OTRST06G01	6	G 1/8"	12	13	5,5	19,5	21,0	13
OTRST06G02		G 1/4"	12	16	6,5	22,0	21,0	13
OTRST08G01	8	G 1/8"	14	13	5,5	19,5	23,0	13
OTRST08G02		G 1/4"	14	16	6,5	22,0	23,0	13
OTRST10G02	10	G 1/4"	16	16	6,5	23,0	26,0	16
OTRST10G03		G 3/8"	16	20	7,5	26,0	26,0	16
OTRST12G03	12	G 3/8"	19	20	7,5	35,0	29,0	20
OTRST12G04		G 1/2"	19	25	9	37,0	29,0	20



OTRA-G


Adattatore cilindrico BSPP & metrico nichelato per tubo metrico

CODICE	ØD	T	ØC	A	L	CH	DN	g
OTRA04M5	4	M5x0,8	7	4	24,5	8	2,0	3,0
OTRA04M7		M7x1	10	5,5	27,0	10	2,0	5,0
OTRA04G01		G 1/8"	13	5,5	27,0	13	2,0	10,0
OTRA04G02		G 1/4"	16	6,5	29,5	13	2,0	11,0
OTRA06M5	6	M5x0,8	7	4	25,5	8	2,5	5,0
OTRA06M7		M7x1	10	5,5	27,0	10	4,0	7,0
OTRA06G01		G 1/8"	13	5,5	28,0	13	4,0	9,0
OTRA06G02		G 1/4"	16	6,5	30,5	13	4,0	13,0
OTRA08G01	8	G 1/8"	13	5,5	29,5	13	6,0	10,0
OTRA08G02		G 1/4"	16	6,5	32,0	13	6,0	13,0
OTRA08G03		G 3/8"	20	7,5	33,5	13	6,0	21,0
OTRA10G01	10	G 1/8"	13	5,5	34,0	13	8,0	17,0
OTRA10G02		G 1/4"	16	6,5	36,5	13	8,0	15,0
OTRA10G03		G 3/8"	20	7,5	37,5	16	8,0	26,0
OTRA12G02	12	G 1/4"	16	6,5	37,5	13	8,5	22,0
OTRA12G03		G 3/8"	20	7,5	41,5	16	10,0	22,0
OTRA12G04		G 1/2"	25	9	43,0	20	10,0	35,0

OTRUC


Intermedio diritto nichelato per tubo metrico

CODICE	ØD	ØP	L	g
OTRUC04-532	4	10	29,0	9,0
OTRUC0600	6	12	32,0	12,0
OTRUC08-516	8	14	36,0	16,0
OTRUC1000	10	16	39,0	21,0
OTRUC1200	12	19	44,5	37,0

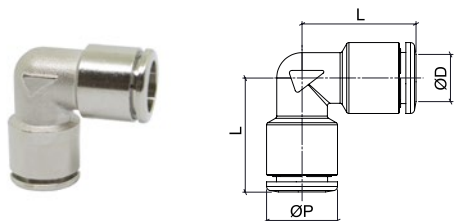
Intermedio diritto nichelato per tubo in pollici

CODICE	ØD	ØP	L	g
OTRUC04-532	5/32"	10	29,0	9,0
OTRUC1-4	1/4"	13	33,0	14,0
OTRUC08-516	5/16"	14	35,5	16,0
OTRUC38	3/8"	16	38,5	21,0
OTRUC1-2	1/2"	19	44,5	37,0



OTRUL

Intermedio a gomito nichelato per tubo metrico



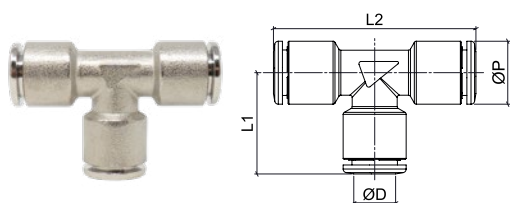
CODICE	ØD	ØP	L	g
OTRUL04-532	4	10	18,0	12,0
OTRUL0600	6	12	19,5	14,0
OTRUL08-516	8	14	22,5	20,0
OTRUL1000	10	16	25,5	26,0
OTRUL1200	12	19	29,0	49,0

Intermedio a gomito nichelato per tubo in pollici

CODICE	ØD	ØP	L	g
OTRUL04-532	5/32"	10	18,0	12,0
OTRUL1-4	1/4"	13	21,0	19,0
OTRUL08-516	5/16"	14	22,5	20,0
OTRUL38	3/8"	16	25,0	28,0
OTRUL1-2	1/2"	19	29,0	49,0

OTRUT

Intermedio a T nichelato per tubo metrico



CODICE	ØD	ØP	L1	L2	g
OTRUT04-532	4	10	18,0	36,0	17,0
OTRUT0600	6	12	19,5	39,0	20,0
OTRUT08-516	8	14	22,5	45,5	30,0
OTRUT1000	10	16	25,5	50,5	37,0
OTRUT1200	12	19	29,0	58,5	68,0

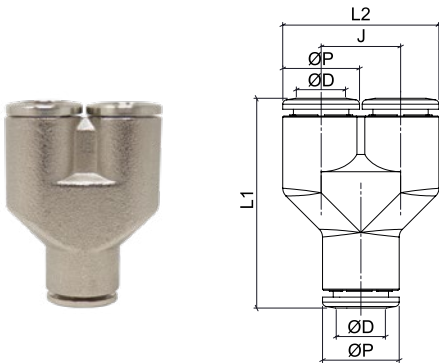
Intermedio a T nichelato per tubo in pollici

CODICE	ØD	ØP	L1	L2	g
OTRUT04-532	5/32"	10	18,0	36,0	17,0
OTRUT1-4	1/4"	13	21,0	42,0	27,0
OTRUT08-516	5/16"	14	22,5	45,5	30,0
OTRUT38	3/8"	16	25,0	50,5	38,0
OTRUT1-2	1/2"	19	29,0	58,0	59,0



OTRY

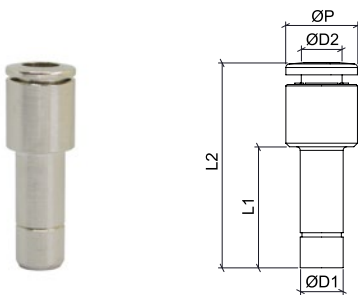
Intermedio a Y nichelato per tubo metrico



CODICE	ØD	ØP	J	L1	L2	g
OTRY04	4	10	10,5	32,0	20,5	
OTRY06	6	12	12,5	35,5	24,5	
OTRY08	8	14	14,5	38,5	28,5	
OTRY10	10	16	17,0	45,5	33,0	
OTRY12	12	19	20,0	52,5	39,0	

OTRGJ

Riduzione codolo nichelato per tubo metrico



CODICE	ØD1	ØD2	ØP	L1	L2	g
OTRGJ0604	6	4	10	18,0	30,0	6,0
OTRGJ0804	8	4	10	19,5	32,0	
OTRGJ0806	8	6	12	19,5	32,5	10,0
OTRGJ1006	10	6	12	24,0	37,0	
OTRGJ1008	10	8	14	24,0	38,0	13,0
OTRGJ1208	12	8	14	25,0	39,0	
OTRGJ1210	12	10	16	25,0	41,0	18,0





Tierre Group S.p.a.

via dell'Industria, 18 - 20032 Cormano (MI)

Tel. +39 02 663088.1 - Fax +39 02 66304172

www.tierregroup.com - info@tierregroup.com

C.F. e P.IVA 12437570158

Cap. Soc. Euro 2.000.000,00 i.v. - REA MI-1558390

Catalogo Serie OTR - Ed. 2.2 - 01/26