

QUICK COUPLING FOR FLUIDS

FLUID-10N-X

PLUS

ARE INDICATED IN OXIDANT
AND CORROSIVE ENVIROMENTS
WITH VERSION IN AISI 303

EASY HANDLING
AND CONNECTION/DISCONNECTION

AVAILABLE WITH FREE PASSAGE,
SINGLE INTERCEPTED





p. 496 /
FLUID-10N-M-X



p. 496 /
FLUID-10N-H-X



p. 496 /
FLUID-10N-E-X



p. 496 /
NE-10M-X



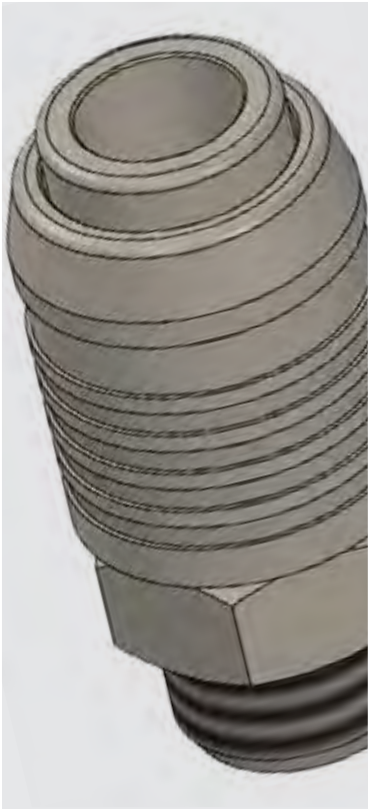
p. 497 /
NE-10H-X



p. 497 /
NE-10E-X



ISO 6150-B-12 PROFILE



From -20°C to +100°C with NBR seal
From -20°C to +205°C with VITON seal



Suggest: From 0 to 12 Bar
Max: 35 Bar



Air, water, grease, acids and fluid suitable with construction materials in corrosive and oxidizing environments



Taper BSPT from R1/4" to R1/2"
Parallel BSPP from G1/4" to G1/2"

FLOW

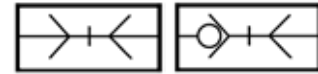
750 l/min



5,5 mm

CONFIGURATIONS

PL, SO



Products in compliance with the directive 2002/95/EC

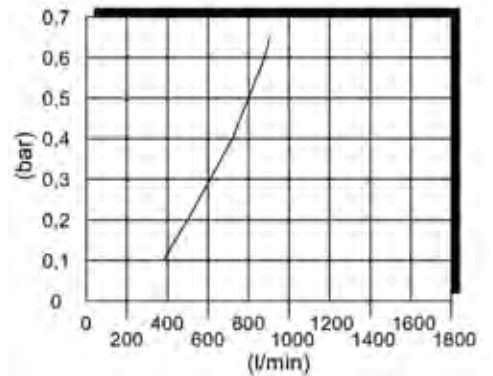
RoHS2

Products in compliance with the directive 2011/65/EU



| COMPONENTS | FLUID-10N-X |
|----------------|--------------------------|
| Body | Stainless steel AISI 303 |
| Adapter | Stainless steel AISI 303 |
| Slide | Stainless steel AISI 303 |
| Valve | Stainless steel AISI 303 |
| Seal | NBR. Viton |
| Spring | Stainless steel AISI 302 |
| Ball | Stainless steel AISI 316 |
| Retaining ring | Stainless steel AISI 302 |
| CONNECTION | NE-10-X |
| Body | Stainless steel AISI 303 |

FLOW DROP



All charts have been created considering a pressure of 6 Bar with low drop of 0.5 bar and simple lock



FLUID-10N-M-X

Male quick coupler DN 5,5



| CODE | T | C | P | L | H |
|------------------|-------|------|------|------|----|
| FLUID-10N-M1/4-X | R1/4" | 21,5 | 23,4 | 54,5 | 19 |
| FLUID-10N-M3/8-X | R3/8" | 21,5 | 23,4 | 55,5 | 19 |
| FLUID-10N-M1/2-X | R1/2" | 24,6 | 23,4 | 60,0 | 22 |

FLUID-10N-H-X

Female quick coupler DN 5,5



| CODE | T | C | P | L | H |
|-----------------|-------|------|------|------|----|
| FLUID-10N-H1/4X | G1/4" | 21,5 | 23,4 | 52,5 | 19 |
| FLUID-10N-H3/8X | G1/4" | 24,6 | 23,4 | 54,0 | 22 |
| FLUID-10N-H1/2X | G1/2" | 26,5 | 23,4 | 58,2 | 24 |

FLUID-10N-E-X

Quick coupler with barb connector DN 5,5



| CODE | E | C | P | L | H |
|----------------|-------|------|------|------|----|
| FLUID-10N-E8X | 9,20 | 21,5 | 23,4 | 62,0 | 19 |
| FLUID-10N-E10X | 11,20 | 21,5 | 23,4 | 66,0 | 19 |
| FLUID-10N-E12X | 13,20 | 21,5 | 23,4 | 71,0 | 19 |

NE-10M-X

Male connection DN 5,5

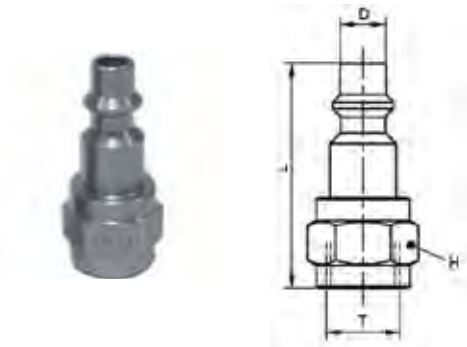


| CODE | T | E | L | H |
|--------------|-------|---|------|----|
| NE-10M-X | R1/4" | 8 | 40,0 | 14 |
| NE-10M-3/8-X | R3/8" | 8 | 42,5 | 17 |
| NE-10M-1/2-X | R1/2" | 8 | 46,0 | 22 |



NE-10H-X

Female connection DN 5,5



| CODE | T | D | L | H |
|----------|-------|---|------|----|
| NE-10H-X | G1/4" | 8 | 40,0 | 17 |

NE-10E-X

Connection with barb connector DN 5,5



| CODE | E | D | L | H |
|-------------|-------|---|------|----|
| NE-10E-X | 9,20 | 8 | 47,0 | 14 |
| NE-10E-10-X | 11,20 | 8 | 52,0 | 14 |



