

QUICK COUPLING FOR FLUIDS

ACDL

PLUS

DIFFERENT MATERIALS
FOR EVERY KIND OF APPLICATION

ARE INDICATED IN OXIDANT
AND CORROSIVE ENVIROMENTS
WITH VERSION IN AISI 316





p. 486 / **ACLD-25**



p. 486 / **ACLD-50**

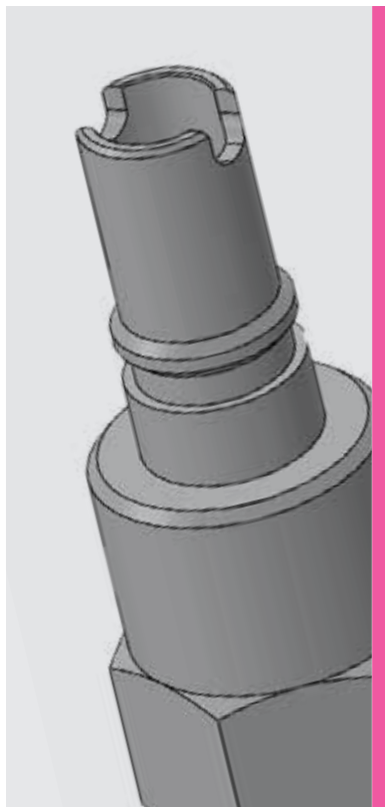


p. 486 / **ACLD-100**





p. 486 / **ACLD-150**






-  From -20°C to +100°C with NBR seal
-  From -20°C to +205°C with VITON seal
-  From -40°C to +130°C with EPDM seal
-  From -60°C to +200°C with SILICONE seal

 **Suggest:** From 0 to 12 Bar
Max: 20 Bar

 Air, water, gas, vacuum, mineral and synthetic acids (not aggressive for the brass version) and fluids suitable with construction materials

 Parallel BSPP from G1/4" to G1"



- ACLD-25 5,2mm
- ACLD-50 7 mm
- ACLD-100 10,5 mm
- ACLD-150 14 mm

MINIMUM OPENING PRESSURE →

ACLD-25	ACLD-50	ACLD-100	ACLD-150
0,30 Bar	0,30 Bar	0,08 Bar	0,1 Bar

ACLD-25 is for the CD-25 quick coupling



Products in compliance with the directive 2002/95/EC

RoHS2

Products in compliance with the directive 2011/65/EU

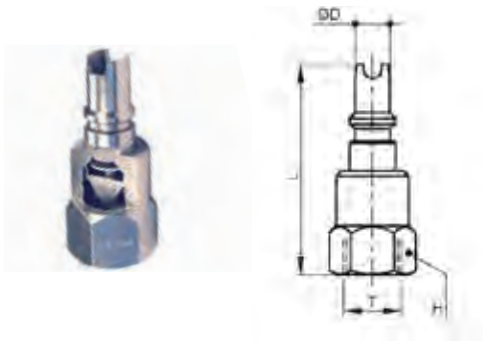


COMPONENTS	ACLD-L	ACLD-X	ACLD-X-316
Body	Brass	Stainless steel AISI 303	Stainless steel AISI 316L
Clapet	Brass	Stainless steel AISI 303	Stainless steel AISI 316L
Support clapet	Brass	Stainless steel AISI 303	Stainless steel AISI 316L
Spring	Stainless steel AISI 302	Stainless steel AISI 302	Stainless steel AISI 302
Retaining ring	Stainless steel AISI 302	Stainless steel AISI 302	Stainless steel AISI 302
Seal	NBR, Viton, EPDM, Silicon	NBR, Viton, EPDM, Silicon	NBR, Viton, EPDM, Silicon



ACLD-25

Unidirectional connection with check valve, DN 5,2

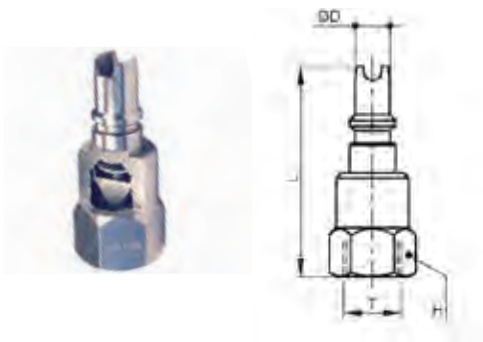


CODE	T	ØD	L	H
ACLD-25-L	G1/4"	7,9	48	17
ACLD-25-X	G1/4"	7,9	48	17

Only for CD-25
Do not used with CD-25N

ACLD-50

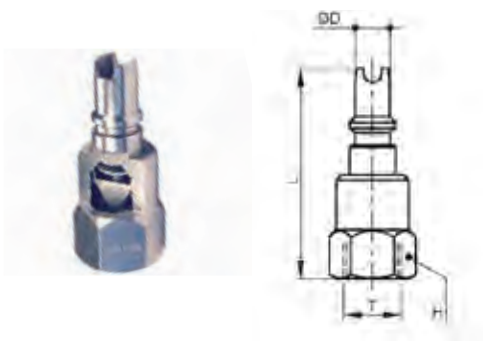
Unidirectional connection with check valve, DN 7



CODE	T	ØD	L	H
ACLD-50-L	G3/8"	10,3	58,5	22
ACLD-50-X	G3/8"	10,3	58,5	22

ACLD-100

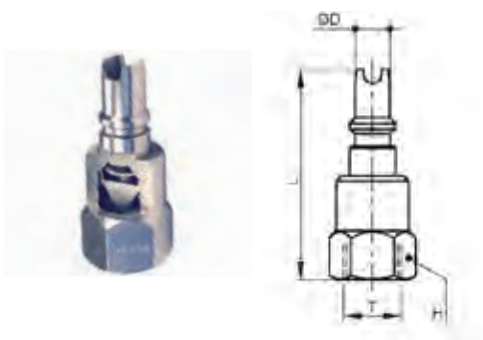
Unidirectional connection with check valve, DN 10,5



CODE	T	ØD	L	H
ACLD-100-L	G1/2"	14,3	70	27
ACLD-100-X	G1/2"	14,3	70	27

ACLD-150

Unidirectional connection with check valve, DN 14



CODE	T	ØD	L	H
ACLD-150-L	G3/4"	19	93	34
ACLD-150-X	G3/4"	19	93	36
ACLD-150X-316	G3/4"	19	93	36
ACLD-150L-P	G1"	19	93	40
ACLD-150X-P	G1"	19	93	41
ACLD-150X-316-P	G1"	19	93	41

