

QUICK COUPLING FOR FLUIDS

MINI

PLUS

**DIFFERENT MATERIALS
FOR EVERY KIND OF APPLICATION**

**ARE INDICATED IN OXIDANT
AND CORROSIVE ENVIROMENTS
WITH VERSION IN AISI 316**

**EASY HANDLING
AND CONNECTION/DISCONNECTION**

AVAILABLE WITH SINGLE INTERCEPTED





p. 522 / **MINI-M**



p. 522 / **MINI-H**



p. 522 / **MINI-E**



p. 522 / **MINI-MM**



p. 523 / **MINI-RR**



p. 523 / **MINI-RRR**



p. 523 / **AMN-M**



p. 523 / **AMN-H**



p. 524 / **AMN-E**

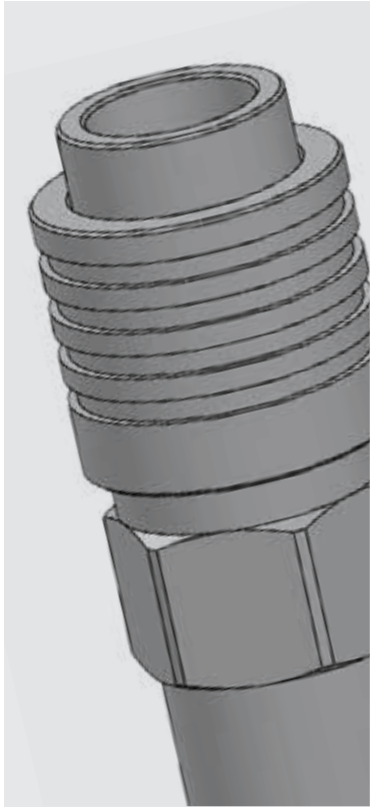


p. 524 / **AMN-RR**



p. 524 / **AMN-RRR**





From -20°C to +100°C with NBR seal
From -20°C to +205°C with VITON seal



Suggest: 12 Bar
Max: 35 Bar



Air, water, gas, mineral and synthetic acids is not corrosive applications. It is indicated for welding and automation. The version in AISI 316 is indicated in oxidant and corrosive environments and especially in sector as food, chemical, medical, analytical laboratories, instrumentation and in the desalinization of water.

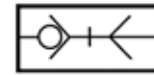


Parallel BSPP from G1/8" to G3/8"

FLOW
500 l/min

DN 5,5 mm

CONFIGURATIONS
SO



Products in compliance with the directive 2002/95/EC

RoHS2

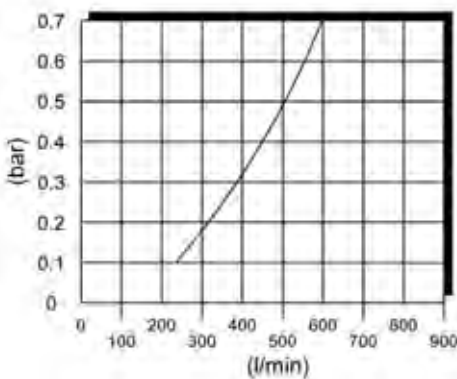
Products in compliance with the directive 2011/65/EU



| COMPONENTS | MINI-L | MINI-316V |
|----------------|--------------------------|---------------------------|
| Body | Nickel-plated brass | Stainless steel AISI 316L |
| Slide | Nickel-plated steel | Stainless steel AISI 316L |
| Adapter | Nickel-plated brass | Stainless steel AISI 316L |
| Valve | Nickel-plated brass | Stainless steel AISI 316L |
| Ball | Stainless steel AISI 316 | Stainless steel AISI 316 |
| Seal | NBR, VITON | VITON (FDA) |
| Spring | Stainless steel AISI 302 | Stainless steel AISI 316 |
| Retaining ring | Stainless steel AISI 302 | Stainless steel AISI 316 |

| CONNECTION | AMN-L | AMN-316 |
|------------|---------------------|---------------------------|
| Body | Nickel-plated brass | Stainless steel AISI 316L |

FLOW DROP

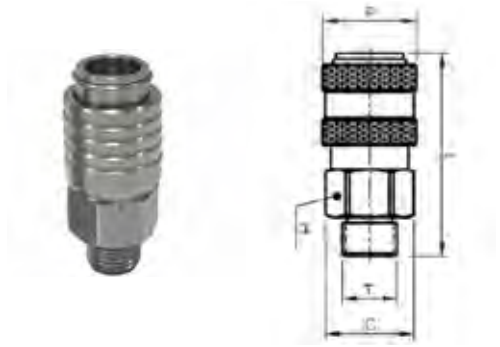


All charts have been created considering a pressure of 6 Bar with low drop of 0.5 bar and simple lock



MINI-M

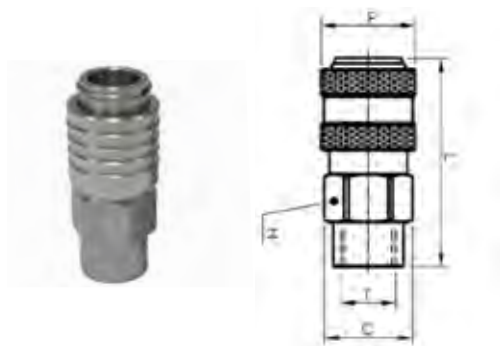
Male MINI quick coupler DN 5.5



| CODE | T | P | L | C | H |
|--------------|-------|------|------|------|----|
| MINI-M1-L | G1/8" | 16,5 | 36,2 | 15,7 | 14 |
| MINI-M1-316V | G1/8" | 16,5 | 36,2 | 15,7 | 14 |
| MINI-M-L | G1/4" | 16,5 | 38,2 | 15,7 | 14 |
| MINI-M-316V | G1/4" | 16,5 | 38,2 | 15,7 | 14 |
| MINI-M3-316V | G3/8" | 16,5 | 39,2 | 21 | 19 |

MINI-H

Female MINI quick coupler DN 5.5



| CODE | T | P | L | C | H |
|--------------|-------|------|------|------|----|
| MINI-H1-L | G1/8" | 16,5 | 37,2 | 15,7 | 14 |
| MINI-H1-316V | G1/8" | 16,5 | 37,2 | 15,7 | 14 |
| MINI-H-L | G1/4" | 16,5 | 39,2 | 19,0 | 17 |
| MINI-H-316V | G1/4" | 16,5 | 39,2 | 19,0 | 17 |

MINI-E

MINI quick coupler with barb connector DN 5.5



| CODE | E | P | L | C | H |
|--------------|-----|------|------|------|----|
| MINI-E6-L | 6,3 | 16,5 | 48,2 | 15,7 | 14 |
| MINI-E6-316V | 6,3 | 16,5 | 48,2 | 15,7 | 14 |
| MINI-E8-L | 8,3 | 16,5 | 48,2 | 15,7 | 14 |
| MINI-E8-316V | 8,3 | 16,5 | 48,2 | 15,7 | 14 |

MINI-MM

Bulkhead push-on MINI quick coupler DN 5.5

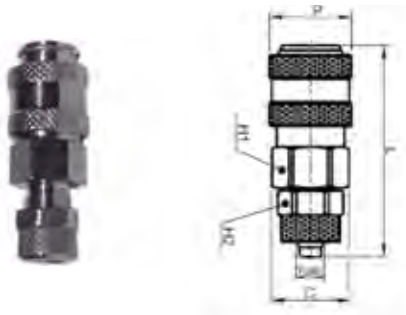


| CODE | Ø | T | P | L | C | H1 | H2 |
|---------------|-----|-------|------|------|------|----|----|
| MINI-MM6-L | 6X4 | M10X1 | 16,5 | 56,7 | 15,7 | 14 | 12 |
| MINI-MM6-316V | 6X4 | M10X1 | 16,5 | 56,7 | 15,7 | 14 | 13 |
| MINI-MM8-L | 8X6 | M12X1 | 16,5 | 56,7 | 15,7 | 14 | 14 |
| MINI-MM8-316V | 8X6 | M12X1 | 16,5 | 56,7 | 15,7 | 14 | 14 |



MINI-RR

Push-on MINI quick coupler DN 5.5



| CODE | Ø | P | L | C | H1 | H2 |
|------------|-----|------|------|------|----|----|
| MINI-RR6-L | 6X4 | 16,5 | 43,2 | 15,7 | 14 | 12 |
| MINI-RR8-L | 8X6 | 16,5 | 43,2 | 15,7 | 14 | 14 |

MINI-RRR

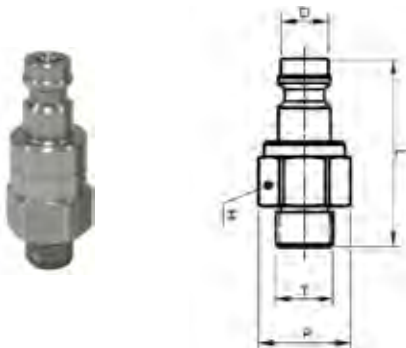
MINI quick coupler with spring DN 5.5



| CODE | Ø | P | L | C | H1 | H2 |
|-------------|-----|------|-------|------|----|----|
| MINI-RR6R-L | 6X4 | 16,5 | 124,7 | 15,7 | 14 | 12 |
| MINI-RR8R-L | 8X6 | 16,5 | 123,2 | 15,7 | 14 | 14 |

AMN-M

Male MINI connection DN 5.5



| CODE | T | P | L | D | H |
|------------|-------|------|------|-----|----|
| AMN-M1-L | G1/8" | 15,7 | 32,1 | 8,1 | 14 |
| AMN-M1-316 | G1/8" | 15,7 | 32,1 | 8,1 | 14 |
| AMN-M-L | G1/4" | 15,7 | 34,1 | 8,1 | 14 |
| AMN-M-316 | G1/4" | 15,7 | 34,1 | 8,1 | 14 |

AMN-H

Female MINI connection DN 5.5

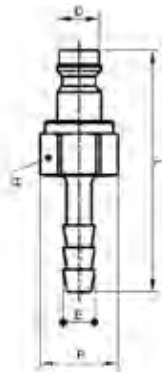


| CODE | T | P | L | D | H |
|------------|-------|------|------|-----|----|
| AMN-H1-L | G1/8" | 15,7 | 25,1 | 8,1 | 14 |
| AMN-H1-316 | G1/8" | 15,7 | 25,1 | 8,1 | 14 |
| AMN-H-L | G1/4" | 19,0 | 29,1 | 8,1 | 17 |
| AMN-H-316 | G1/4" | 19,0 | 29,1 | 8,1 | 17 |



AMN-E

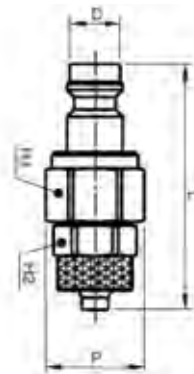
MINI connection with barb connector DN 5.5



| CODE | E | P | L | D | H |
|----------|-----|------|------|-----|----|
| AMN-E6-L | 6,3 | 15,7 | 44,1 | 8,1 | 14 |
| AMN-E8-L | 8,3 | 15,7 | 44,1 | 8,1 | 14 |

AMN-RR

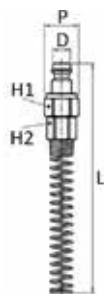
Push-on MINI connection DN 5.5



| CODE | TUBE | P | L | D | H1 | H2 |
|-------------|------|------|------|-----|----|----|
| AMN-RR6-L | 6X4 | 15,7 | 39,1 | 8,1 | 14 | 12 |
| AMN-RR8-L | 8X6 | 15,7 | 39,1 | 8,1 | 14 | 14 |
| AMN-RR8-316 | 8X6 | 15,7 | 39,1 | 8,1 | 14 | 14 |

AMN-RRR

MINI connection with spring DN 5.5



| CODE | TUBE | P | L | D | H1 | H2 |
|------------|------|------|-------|-----|----|----|
| AMN-RR6R-L | 6X4 | 15,7 | 120,6 | 8,1 | 14 | 12 |
| AMN-RR8R-L | 8X6 | 15,7 | 119,1 | 8,1 | 14 | 14 |

