

# QUICK COUPLING FOR FLUIDS

## EUROFLUID

PLUS

EASY HANDLING  
AND CONNECTION/DISCONNECTION

AVAILABLE WITH FREE PASSAGE,  
SINGLE INTERCEPTED





p. 548 /  
**EUROFLUID-M**



p. 548 /  
**EUROFLUID-H**

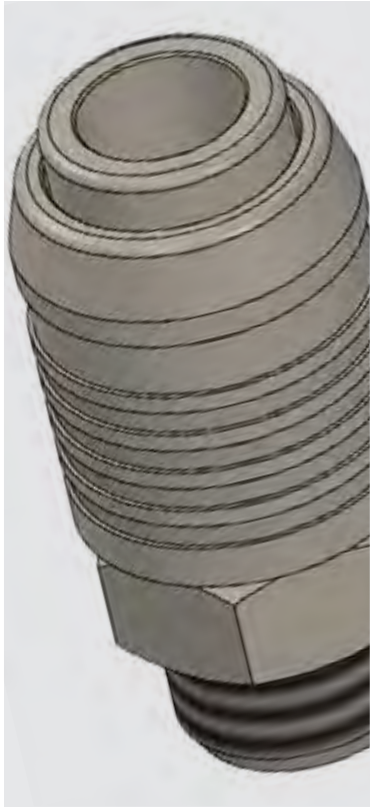


p. 548 /  
**EUROFLUID-E**



p. 548 /  
**EUROFLUID-PM**





From -20°C to +100°C



**Suggest:** From 0 to 12 Bar  
**Max:** 35 Bar



They are suitable for pneumatic applications in not corrosive environments. Easy handling, connection - disconnection with one hand. Quick couplings Eurofluid series are compatible with the connectors: NE (ISO 6150-B-12 profile) - AEU (German and European profiles) - AFL 210.



Taper BSPT from R1/4" to R1/2"  
Parallel BSPP from G1/4" to G1/2"

**PROFILE**



**CONFIGURATIONS**

PL, SO



Products in compliance with the directive 2002/95/EC

**RoHS2**

Products in compliance with the directive 2011/65/EU

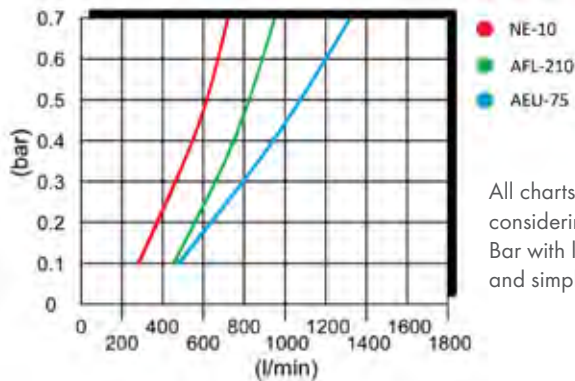
**FLOW**

1086 l/min with AEU-75  
606 l/min with NE-10  
823 l/min with FLUID-210



COMPONENTS	EUROFLUID
Body	Nickel-plated steel
Slide	Nickel-plated steel
Adapter	Nickel-plated brass
Valve	Nickel-plated brass
Ball	Chrome steel
Seal	NBR
Spring	Stainless steel AISI 302
Retaining ring	Stainless steel AISI 302

**FLOW DROP**

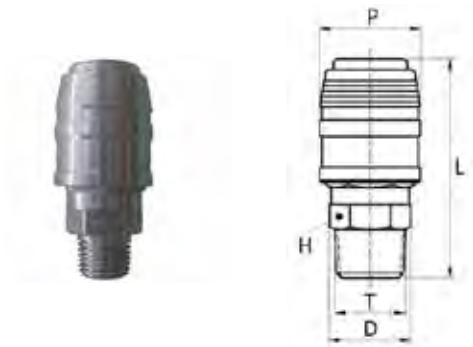


All charts have been created considering a pressure of 6 Bar with low drop of 0.5 bar and simple lock



**EUROFLUID-M**

Male quick coupler



CODE	T	P	L	C	H
EUROFLUID-M1/4	R1/4"	24,4	51,7	21,5	19
EUROFLUID-M3/8	R3/8"	24,4	52,7	21,5	19
EUROFLUID-M1/2	R1/2"	24,4	57,2	24,6	22
EUROFLUID-M1/2G	G1/2"	24,4	54,7	26,5	24

**EUROFLUID-H**

Female quick coupler



CODE	T	P	L	C	H
EUROFLUID-H1/4	G1/4"	24,4	49,7	21,5	19
EUROFLUID-H3/8	G3/8"	24,4	51,2	24,6	22
EUROFLUID-H1/2	G1/2"	24,4	55,4	27,5	25

**EUROFLUID-E**

Quick coupler with barb connector



CODE	E	L	D	P	H
EUROFLUID-E6	7,20	59,2	21,5	24,4	19
EUROFLUID-E8	9,20	59,2	21,5	24,4	19
EUROFLUID-E10	11,20	63,2	21,5	24,4	19
EUROFLUID-E12	13,20	68,2	21,5	24,4	19
EUROFLUID-E13	13,80	68,2	21,5	24,4	19

**EUROFLUID-PM**

Joint push-on fitting



CODE	Ø TUBE	D	R	P	L	H
EUROFLUID-PM08	8X12	21,3	M16X1	24,4	61,9	19
EUROFLUID-PM10	10X15	24,3	M20X1	24,4	66,7	22

To used with PU-PVC

