

# QUICK COUPLING FOR FLUIDS

CD-25N

CD-25S

PLUS

DIFFERENT RANGES WITH SECURITY  
SYSTEM AND ANTI-WHIPLASH,  
IN CONFORMITY WITH SAFETY  
STANDARDS

EASY HANDLING  
AND CONNECTION/DISCONNECTION

AVAILABLE WITH FREE PASSAGE,  
SINGLE INTERCEPTED





p. 466 /  
**CD-25N-M**



p. 466 /  
**CD-25N-H**



p. 466 /  
**CD-25N-E**



p. 466 /  
**CD-25N-PM**



p. 467 /  
**CD-25S-M**



p. 467 /  
**CD-25S-H**



p. 467 /  
**CD-25S-E**



p. 467 /  
**CD-25S-PM**



p. 468 /  
**ACD-25M**



p. 468 /  
**ACD-25H**

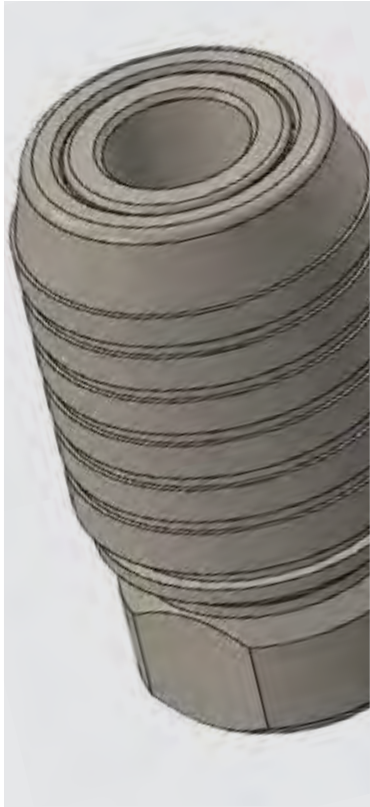


p. 468 /  
**ACD-25E**



p. 468 /  
**ACD-25-PM**





From -20°C to +100°C



**Suggest:**  
from 0 to 12 Bar  
From 0 to 7 Bar for **SAFETY** version  
**Max:** 35 Bar



Air, water, gas, vacuum, mineral and synthetic acids (not aggressive for the brass version) and fluids suitable with construction materials



Taper BSPT from R1/4" to R1/2"  
Parallel BSPP from G1/4" to G1/2"

**FLOW**

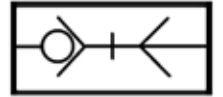
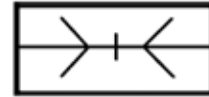
860 l/min  
762 l/min for **SAFETY** version



5,2 mm

**CONFIGURATIONS**

PL (only for CD-25N series) or SO



Products in compliance with the directive 2002/95/EC

**RoHS2**

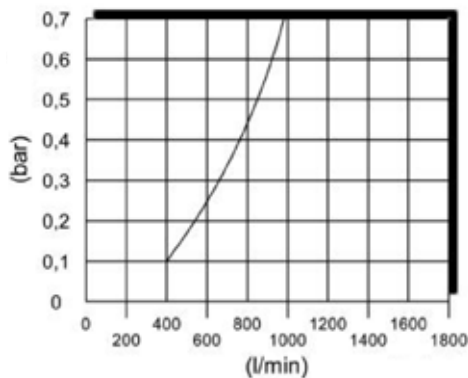
Products in compliance with the directive 2011/65/EU



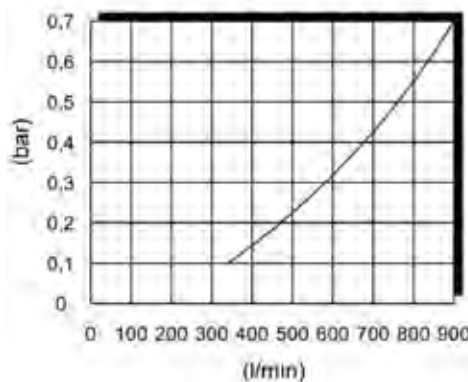
COMPONENTS	CD-25
Body	Nickel-plated steel
Adaptor	Nickel-plated brass
Slide	Nickel-plated steel
Valve	Nickel-plated brass
Seal	NBR
Ball	Chrome steel
Retaining ring	Stainless steel AISI 302
Spring	Stainless steel AISI 302

CONNECTION	ACD-25	ACD-25-L	ACD-25-X
Body	Nickel-plated steel	Nickel-plated brass	Stainless steel AISI 303

**FLOW DROP CD-25N**



**FLOW DROP CD-25S**

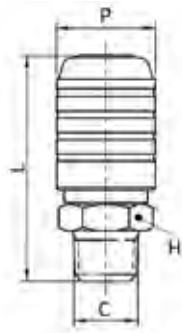


All charts have been created considering a pressure of 6 Bar with low drop of 0.5 bar and simple lock



**CD-25N-M**

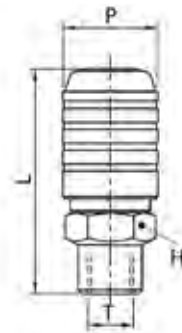
Male quick coupler BSPT, DN 5,2



CODE	T	P	C	L	H
CD-25N-M1/4	R1/4"	23,6	21,5	52,1	19
CD-25N-M1/4-PL	R1/4"	23,6	21,5	52,1	19
CD-25N-M3/8-PL	R3/8"	23,6	21,5	53,1	19
CD-25N-M3/8-PL	R3/8"	23,6	21,5	53,1	19
CD-25N-M1/2	R1/2"	23,6	24,6	57,6	22
CD-25N-M1/2-PL	R1/2"	23,6	24,6	57,6	22
CD-25N-M1/2G	G1/2"	23,6	26,5	55,1	24
CD-25N-M1/2G-PL	G1/2"	23,6	26,5	55,1	24

**CD-25N-H**

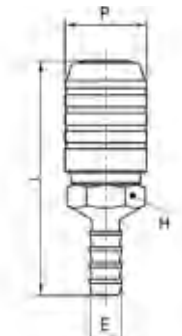
Female quick coupler BSPP, DN 5,2



CODE	T	P	C	L	H
CD-25N-H1/4	G1/4"	23,6	21,5	50,1	19
CD-25N-H1/4-PL	G1/4"	23,6	21,5	50,1	19
CD-25N-H3/8	G3/8"	23,6	24,6	51,6	22
CD-25N-H3/8-PL	G3/8"	23,6	24,6	51,6	22
CD-25N-H1/2	G1/2"	23,6	27,5	55,8	25
CD-25N-H1/2-PL	G1/2"	23,6	27,5	55,8	25

**CD-25N-E**

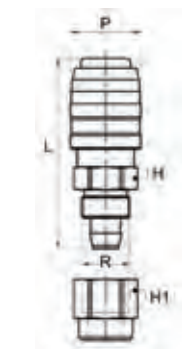
Quick coupler with barb connector, DN 5,2



CODE	E	P	C	L	H
CD-25N-E6	7,20	23,6	21,5	59,6	19
CD-25N-E6-PL	7,20	23,6	21,5	59,6	19
CD-25N-E8	9,20	23,6	21,5	59,6	19
CD-25N-E8-PL	9,20	23,6	21,5	59,6	19
CD-25N-E10	11,20	23,6	21,5	63,6	19
CD-25N-E10-PL	11,20	23,6	21,5	63,6	19
CD-25N-E12	13,20	23,6	21,5	68,6	19
CD-25N-E12-PL	13,20	23,6	21,5	68,6	19
CD-25N-E13	13,80	23,6	21,5	68,6	19
CD-25N-E13-PL	13,80	23,6	21,5	68,6	19

**CD-25N-PM**

Quick coupler with push-on fitting, DN 5,2



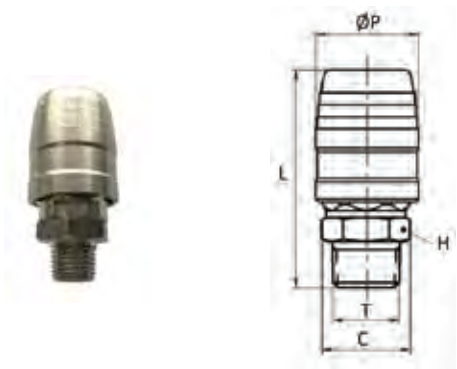
CODE	Ø TUBE	R	P	H	H1	L
CD-25N-PM08	8X12	M16X1	23,6	19	19	62,3
CD-25N-PM08-PL	8X12	M16X1	23,6	19	19	62,3
CD-25N-PM10	10X15	M20X1	23,6	22	22	67,1
CD-25N-PM10-PL	10X15	M20X1	23,6	22	22	67,1

To used with PU-PVC



**CD-25S-M**

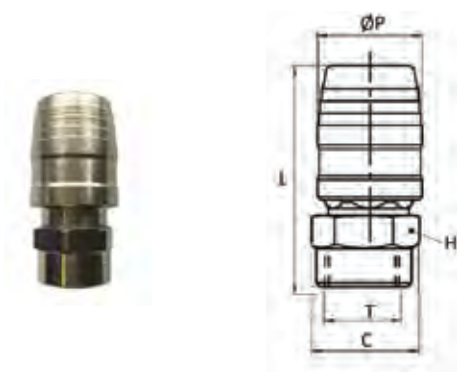
Male quick coupler BSPT, DN 5,2



CODE	T	P	C	H	L
CD-25S-M1/4	R1/4"	26,6	21,5	19	54,1
CD-25S-M3/8	R3/8"	26,6	21,5	19	55,1
CD-25S-M1/2	R1/2"	26,6	24,6	22	59,6
CD-25S-M1/2G	G1/2"	26,6	26,5	24	57,1

**CD-25S-H**

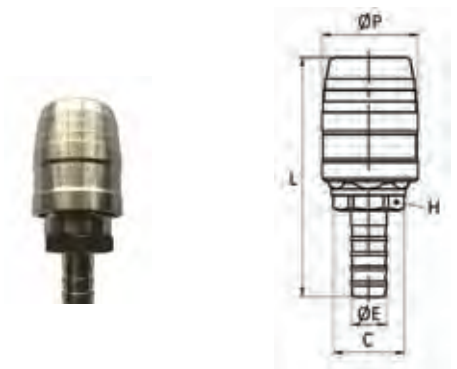
Female quick coupler BSPP, DN 5,2



CODE	T	P	C	H	L
CD-25S-H1/4	G1/4"	26,6	21,5	19	52,1
CD-25S-H3/8	G3/8"	26,6	24,6	22	53,6
CD-25S-H1/2	G1/2"	26,6	27,5	25	57,8

**CD-25S-E**

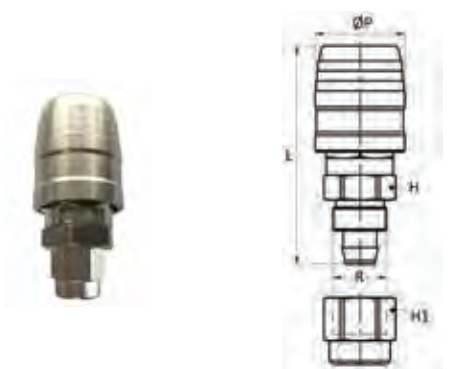
Quick coupler with barb connector, DN 5,2



CODE	E	C	P	L	H
CD-25S-E6	7,20	21,5	26,6	61,6	19
CD-25S-E8	9,20	21,5	26,6	61,6	19
CD-25S-E10	11,20	21,5	26,6	65,6	19
CD-25S-E12	13,20	21,5	26,6	70,6	19
CD-25S-E13	13,80	21,5	26,6	70,6	19

**CD-25S-PM**

Quick coupler with push-on fitting, DN 5,2



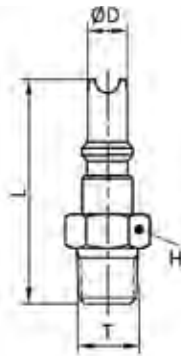
CODE	Ø TUBE	R	P	L	H	H1
CD-25S-PM08	8X12	M16X1	26,6	65,4	19	19
CD-25S-PM10	10X15	M20X1	26,6	70,2	22	22

To used with PU-PVC



**ACD-25M**

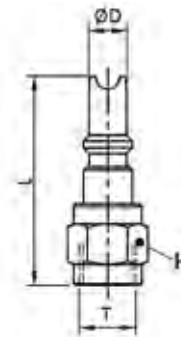
Male connection BSPT, DN 5,2



CODE	T	D	L	H
ACD-25M	R1/4"	7,9	40,8	14
ACD-25M-L	R1/4"	7,9	40,8	14
ACD-25M-X	R1/4"	7,9	40,8	14
ACD-25M-3/8	R3/8"	7,9	42,8	17
ACD-25M-3/8-X	R3/8"	7,9	42,8	17

**ACD-25H**

Female connection BSPP, DN 5,2



CODE	T	D	L	H
ACD-25H	G1/4"	7,9	40,3	17
ACD-25H-L	G1/4"	7,9	40,3	17
ACD-25H-X	G1/4"	7,9	40,3	17
ACD-25H-3/8	G3/8"	7,9	41,8	20

**ACD-25E**

Connection with barb connector, DN 5,2



CODE	E	ØD	L	H
ACD-25E	9,2	7,9	47,0	15
ACD-25E-L	9,2	7,9	47,0	15
ACD-25E-X	9,2	7,9	47,0	15
ACD-25E-10	11,2	7,9	52,3	15

**ACD-25-PM**

Quick coupler with push-on fitting, DN 5,2



CODE	Ø TUBE	R	D	H	H1	L
ACD-25-PM08	8X12	M16X1	7,9	19	19	50
ACD-25-PM10	10X15	M20X1	7,9	22	22	54,7

To used with PU-PVC

