

**QUICK  
COUPLING  
FOR FLUIDS**  
FLUID-30

**PLUS**

**EASY HANDLING  
AND CONNECTION/DISCONNECTION**

**AVAILABLE WITH FREE PASSAGE,  
SINGLE INTERCEPTED**





p. 508 / **FLUID-30**



p. 508 / **NE-30M**



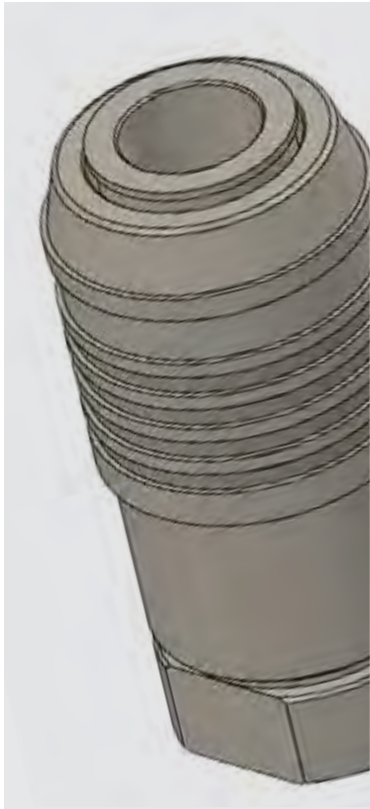
p. 508 / **NE-30H**



p. 508 / **NE-30E**



ISO 6150-B-17 PROFILE



From -20°C to +100°C



**Suggest:** From 0 to 12 Bar  
**Max:** 35 Bar



Air and not aggressive and not oxidant fluids suitable with construction materials



Taper BSPT R1/2  
Parallel BSPP  
from G3/8" to G1/2"

**FLOW**

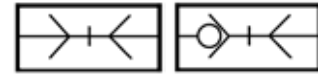
2006 l/min



12 mm

**CONFIGURATIONS**

PL, SO

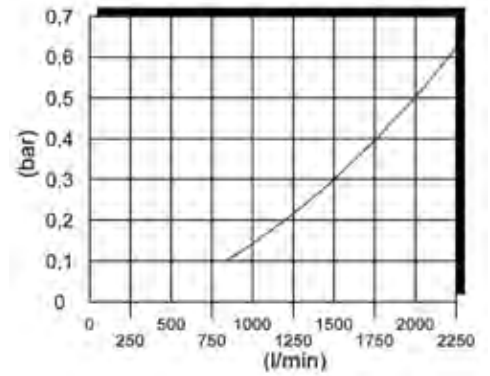


Products in compliance with the directive 2002/95/EC

**RoHS2**

Products in compliance with the directive 2011/65/EU

**FLOW DROP**



All charts have been created considering a pressure of 6 Bar with low drop of 0.5 bar and simple lock



COMPONENTS	FLUID-30
Body	Nickel-plated steel
Slide	Nickel-plated steel
Valve	Stainless steel AISI 303
Seal	NBR
Washer	Stainless steel AISI 304
Mechanical seal	Stainless steel AISI 303
Spring	Stainless steel AISI 302
Retaining ring	Stainless steel AISI 302
CONNECTION	NE-30
Body	Nickel-plated steel



**FLUID-30**

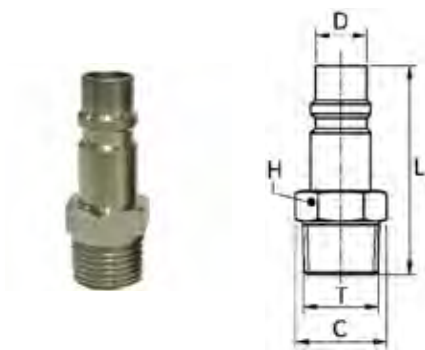
Female quick coupler DN12



CODE	T	P	L	C	H
FLUID-30	G1/2"	30,6	65	30,6	27
FLUID-30-PL	G1/2"	30,6	65	30,6	27

**NE-30M**

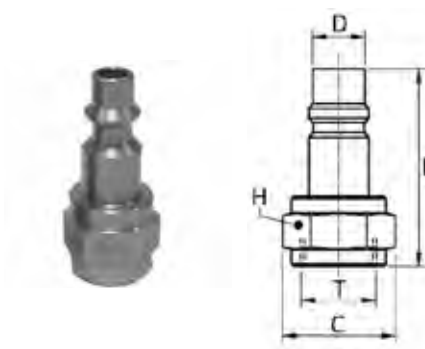
Male connection DN12



CODE	T	D	L	C	H
NE-30M	R1/2"	14,3	58,5	25,4	22

**NE-30H**

Female connection DN12



CODE	T	D	L	C	H
NE-30H-3/8	G3/8"	14,3	54	-	22
NE-30H	G1/2"	14,3	54	31,2	27

**NE-30E**

Connection with barb connector DN12



CODE	E	D	L	H
NE-30E	15,2	14,3	69	25

