

**QUICK
COUPLING
FOR FLUIDS**
MICRO

PLUS

**EASY HANDLING
AND CONNECTION/DISCONNECTION**

AVAILABLE WITH SINGLE INTERCEPTED





p. 517 /
MICRO-HM



p. 518 /
MICRO-H

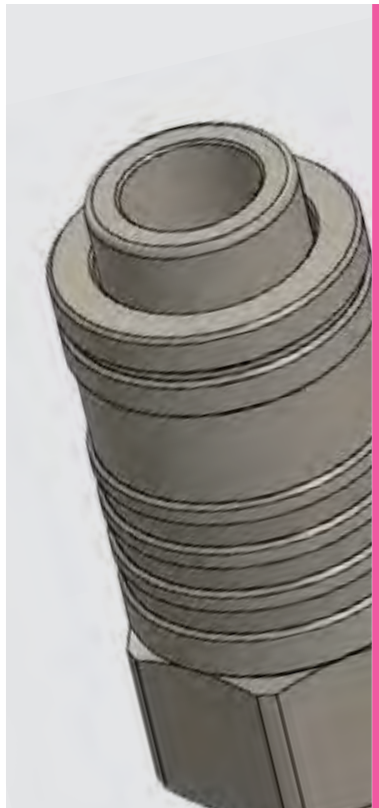


p. 518 / **AMC-M**



p. 518 / **AMC-H**





From -20°C to +100°C with NBR seal
From -20°C to +205° with VITON seal



Suggest: From 0 to 12 Bar



Air, water, gas, not aggressive and not oxidant acids and fluids suitable with construction materials. High resistance to organic liquids

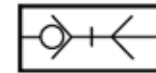


Parallel BSPP G1/8"
Metric M5

FLOW
500 l/min

DN 2,5 mm

CONFIGURATIONS
SO



Products in compliance with the directive 2002/95/EC

RoHS2

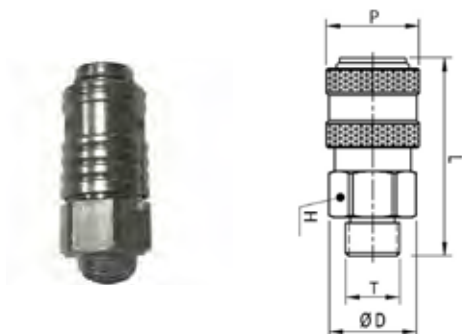
Products in compliance with the directive 2011/65/EU



COMPONENTS	MICRO
Body	Nickel-plated brass
Adapter	Nickel-plated brass
Slide	Nickel-plated brass
Valve	Nickel-plated brass
Seal	NBR, Viton
Spring	Stainless steel AISI 302
Ball	Stainless steel AISI 420
Retaining ring	Stainless steel AISI 302
CONNECTION	AMC
Body	Nickel-plated brass

MICRO-HM

Male micro quick coupler DN 2.5

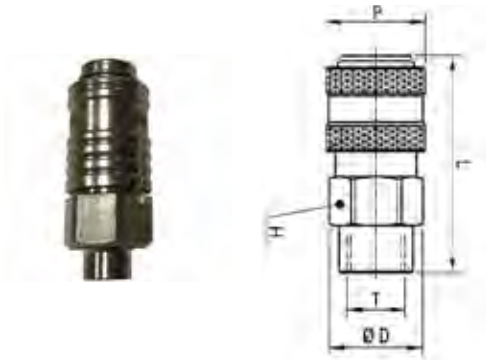


CODE	T	ØD	P	L	H
MICRO-HM508L	M5	12	16,5	32,2	11



MICRO-H

Female micro quick coupler DN 2.5



CODE	T	ØD	P	L	H
MICRO-H18-L	G1/8"	13,9	16,5	29,9	12

AMC-M

Male micro connection DN 2.5



CODE	T	P	D	L	H
AMC-M5M08-L	M5	9,2	5	18,3	8

AMC-H

Female micro connection DN 2.5



CODE	T	P	D	L	H
AMC-H18-L	G1/8"	13,2	5	22,5	12

