

# INNESTI RAPIDI SERIE OTR

## PLUS

Raccordi di facile utilizzo con  
**PRESTAZIONI ELEVATE**

**ROBUSTI** ma al tempo stesso  
**COMPATTI** per garantire la massima  
flessibilità di assemblaggio

**GAMMA COMPLETA** idonea  
all'utilizzo con tubi di diverse tipologie

**NICHELATI ELETTROLITICAMENTE** al  
fine di garantire la massima durata nel  
tempo

**SISTEMA PINZA STATICO** al fine di  
annullare i movimenti del tubo una volta  
inserito, garantendo una tenuta perfetta

Ogni raccordo è **STUDIATO**  
**PER GARANTIRE IL MASSIMO**  
**PASSAGGIO POSSIBILE** in funzione  
del diametro del tubo e dell'eventuale  
filettatura

Possibilità di sviluppo di **PRODOTTI**  
**PERSONALIZZATI SU SPECIFICA**  
**RICHIESTA**

M A D E I N I T A L Y





p. 79 / **OTRC-R**



p. 79 / **OTRC-G**



p. 80 / **OTRC-N**



p. 80 / **OTROC-G**



p. 80 / **OTROC-N**



p. 81 / **OTRCF-G**



p. 81 / **OTRMM**



p. 81 / **OTRME**



p. 82 / **OTRL-R**



p. 82 / **OTRL-G**



p. 83 / **OTRL-N**



p. 83 / **OTRLF-G**



p. 83 / **OTRT-R**



p. 84 / **OTRT-G**



p. 84 / **OTRT-N**



p. 85 / **OTRST-R**



p. 85 / **OTRST-G**



p. 86 / **OTRA-G**



p. 86 / **OTRUC**



p. 87 / **OTRUL**



p. 87 / **OTRUT**

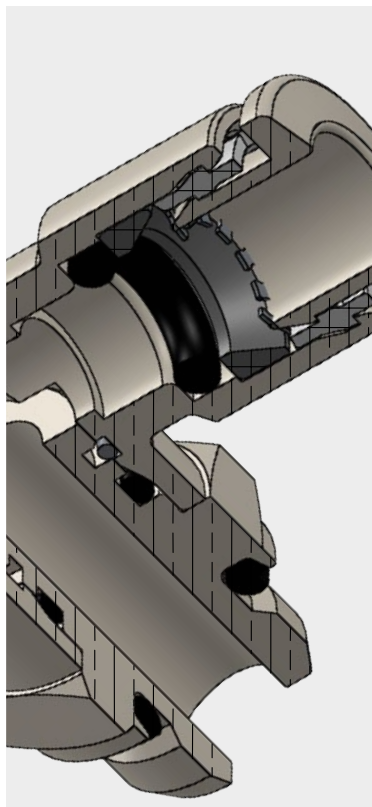


p. 88 / **OTRY**



p. 88 / **OTRGJ**





-20°C ÷ 80°C



**Pressione d'esercizio:**

20 Bar

**Pressione negativa:**

-0,95 Bar (- 95 Kpa)



Aria compressa & Vuoto



- Conica gas BSPT ISO 7 da R1/8" a R1/2"
- Cilindrica gas BSPP ISO 228 da G1/8" a G1/2"
- Metrica ISO 262 M5 e M7
- NPT ANSI B 1.20.1 da N1/8" a N1/2"
- UNF ANSI B 1.1 10-32 UF



Poliammide PA,  
Poliuretano PU,  
Polietilene PE

**Corpo:** Ottone nichelato  
UNI EN 12164 CW614N &  
UNI EN 12164 CW617N

**Collare:** POM



**Colletto:** Ottone nichelato  
UNI EN 12164 CW614N

**Pinza:** Acciaio inox AISI 301

**Distanziale:** PBT

**O-ring:** NBR senza silicone

**Guarnizione:** NBR senza silicone

**Anello di tenuta per sistemi girevoli:**  
Acciaio inox AISI 302

**SILICONE FREE**

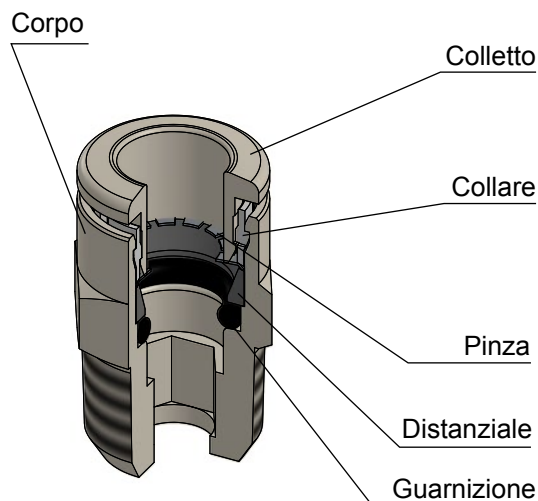
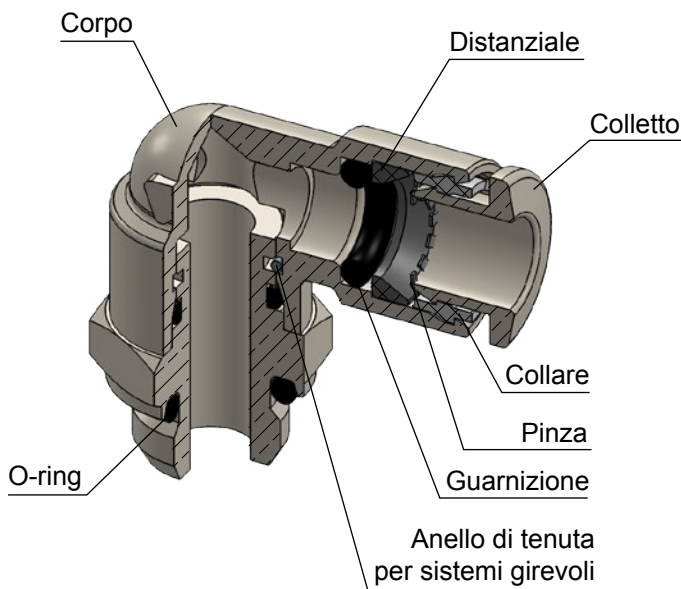


Prodotti conformi al regolamento CE 1907/2006

**RoHS3**

Prodotti conformi alla direttiva EU 2015/863

**DETTAGLI COSTRUTTIVI**



**COPPIA DI SERRAGGIO**  
CONICA GAS BSPT ISO 7 & NPT ANSI B 1.20.1

FILETTO	1/8"	1/4"	3/8"	1/2"	1/8" NPT	1/4" NPT	3/8" NPT	1/2" NPT
Nm	10-12	14-16	16-18	18-20	3,5	4,5	7	12

**COPPIA DI SERRAGGIO**  
CILINDRICA GAS BSPP ISO 228 & METRICA ISO 262

FILETTO	M5x0,8	M7x1,0	1/8"	1/4"	3/8"	1/2"
Nm	1 ± 20%	3 ± 20%	6 ± 20%	7,5 ± 20%	9 ± 20%	9 ± 20%

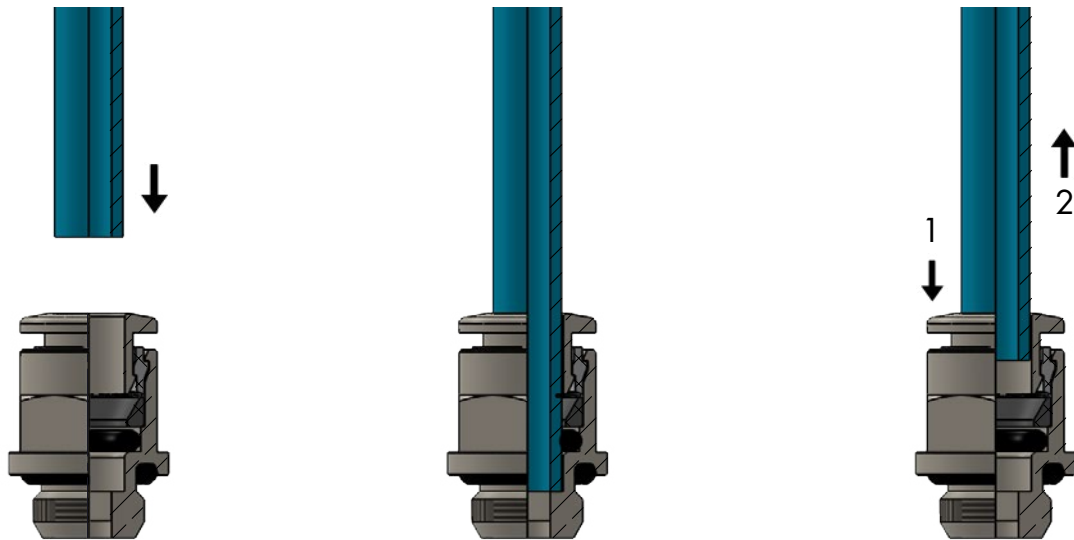


### CONNESSIONE DEL TUBO AL RACCORDO

- Assicurarsi che il tubo sia sempre inserito completamente fino a battuta.
- Tagliare il tubo a 90° mediante l'utilizzo di un apposito cutter, inserirlo fino a battuta e tirarlo con accortezza per accertare il corretto inserimento.
- Se ci sono danni o imperfezioni sulla superficie del tubo o se lo stesso risulta ovalizzato si possono verificare delle perdite od una imprevista disconnessione. Verificare il tutto scrupolosamente.
- Il diametro esterno del tubo in poliuretano si espande in base alla pressione applicata. Pertanto il reinserimento nel raccordo potrebbe non essere più possibile.
- Tagliare la parte di tubo agganciata al raccordo per poterlo riutilizzare.

### DISCONNESSIONE DEL TUBO DAL RACCORDO

- Accertarsi che il tubo non sia in pressione prima di disconnettere lo stesso dal raccordo.
- Per sganciare il tubo premere l'anello di sgancio (1), tirare ed estrarre il tubo (2) contemporaneamente.
- Tagliare la parte di tubo agganciata al raccordo per poterlo riutilizzare.



#### TOLLERANZA - TUBO METRICO

Ø TUBO (mm)	4	6	8	10	12
TOLLERANZA (mm)	± 0,1	± 0,1	± 0,1	± 0,15	± 0,15

#### INSERIMENTO - TUBO METRICO

Ø TUBO (mm)	4	6	8	10	12
LUNGHEZZA DI INSERIMENTO TUBO (mm)	14	15,5	17,5	19	21

#### TOLLERANZA - TUBO IN POLLICI

Ø TUBO	5/32"	1/4"	5/16"	3/8"	1/2"
TOLLERANZA (mm)	±0,1	±0,1	±0,1	± 0,15	± 0,15

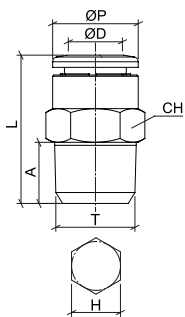
#### INSERIMENTO - TUBO IN POLLICI

Ø TUBO	5/32"	1/4"	5/16"	3/8"	1/2"
LUNGHEZZA DI INSERIMENTO TUBO (mm)	14	16	17,5	18,5	21,5



## OTRC-R

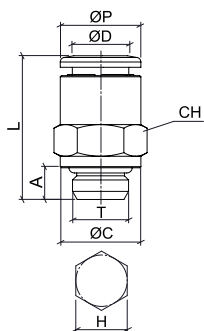
Diritto maschio conico BSPT nichelato per tubo metrico



CODICE	ØD	T	ØP	A	L	CH	H	g
OTRC04R01	4	R 1/8"	10	8	18,5	10	3	7,0
OTRC04R02		R 1/4"	10	10	20,0	14	3	15,4
OTRC06R01	6	R 1/8"	12	8	21,0	12	4	9,0
OTRC06R02		R 1/4"	12	10	20,5	14	4	14,0
OTRC08R01	8	R 1/8"	14	8	26,0	14	5	15,0
OTRC08R02		R 1/4"	14	10	24,0	14	6	15,0
OTRC08R03		R 3/8"	14	11	22,0	17	6	24,0
OTRC10R02	10	R 1/4"	16	10,5	30,0	16	7	22,0
OTRC10R03		R 3/8"	16	11	25,0	17	8	23,0
OTRC10R04		R 1/2"	16	14	25,5	22	8	45,0
OTRC12R02	12	R 1/4"	19	10	33,0	19	6	21,0
OTRC12R03		R 3/8"	19	11	29,5	19	10	27,0
OTRC12R04		R 1/2"	19	14	27,0	22	10	44,5

## OTRC-G

Diritto maschio cilindrico BSPP &amp; metrico nichelato per tubo metrico



CODICE	ØD	T	ØP	ØC	A	L	CH	H	g
OTRC04M5	4	M5x0,8	10	7	4	19,0	9	2,5	5,0
OTRC04G01		G 1/8"	10	14	5,5	18,0	10	3	8,0
OTRC04G02		G 1/4"	10	16	6,5	18,0	10	3	11,0
OTRC06M5	6	M5x0,8	12	7	4	21,0	11	2,5	8,0
OTRC06G01		G 1/8"	12	14	5,5	19,5	12	4	9,0
OTRC06G02		G 1/4"	12	16	6,5	19,5	12	4	12,0
OTRC08G01	8	G 1/8"	14	14	5,5	24,5	14	5	14,0
OTRC08G02		G 1/4"	14	16	6,5	21,5	14	6	13,5
OTRC08G03		G 3/8"	14	20	7,5	21,5	14	6	20,0
OTRC10G02	10	G 1/4"	16	16	6,5	27,5	16	7	19,0
OTRC10G03		G 3/8"	16	20	7,5	25,0	16	8	22,0
OTRC10G04		G 1/2"	16	25	9	25,0	16	8	33,0
OTRC12G02	12	G 1/4"	19	16	6,5	30,0	19	6	28,0
OTRC12G03		G 3/8"	19	22	7,5	29,5	19	10	30,0
OTRC12G04		G 1/2"	19	25	9	28,0	19	10	37,0

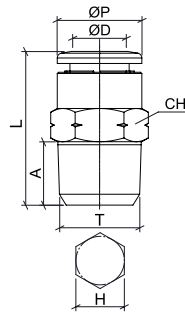
Diritto maschio cilindrico BSPP &amp; metrico nichelato per tubo in pollici

CODICE	ØD	T	ØP	ØC	A	L	CH	H	g
OTRC1-4M5	1/4"	M5x0,8	13	7	4	22,0	13	2,5	8,0
OTRC1-4G01		G 1/8"	13	13	5,5	20,0	13	4	9,0
OTRC38G03	3/8"	G 3/8"	16	20	7,5	25,0	16	8	22,0



**OTRC-N**

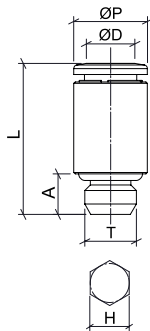
Diritto maschio NPT nichelato per tubo in pollici



CODICE	ØD	T	ØP	A	L	CH	H	g
OTRC532N01	5/32"	N 1/8"	10	8,5	19,0	7/16"	1/8"	9,0
OTRC532N02		N 1/4"	10	10,5	20,5	9/16"	1/8"	16,0
OTRC1-4N01	1/4"	N 1/8"	13	8,5	22,5	1/2"	3/16"	11,0
OTRC1-4N02		N 1/4"	13	10,5	22,5	9/16"	3/16"	15,0
OTRC516N01	5/16"	N 1/8"	14	8,5	27,0	9/16"	3/16"	15,5
OTRC516N02		N 1/4"	14	10,5	25,5	9/16"	1/4"	16,0
OTRC516N03		N 3/8"	14	11,5	23,5	11/16"	1/4"	25,0
OTRC38N01	3/8"	N 1/8"	16	8,5	29,0	11/16"	3/16"	21,5
OTRC38N02		N 1/4"	16	10,5	30,0	11/16"	1/4"	25,0
OTRC38N03		N 3/8"	16	11,5	26,0	11/16"	5/16"	24,0
OTRC38N04		N 1/2"	16	14,5	27,0	7/8"	5/16"	46,0
OTRC1-2N02	1/2"	N 1/4"	19	10,5	34,0	7/8"	1/4"	37,0
OTRC1-2N03		N 3/8"	19	11,5	34,5	7/8"	3/8"	39,0
OTRC1-2N04		N 1/2"	19	14,5	30,5	7/8"	3/8"	43,0

**OTROC-G**

Diritto maschio tondo metrico nichelato per tubo metrico

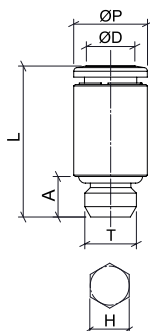


CODICE	ØD	T	ØP	A	L	H	g
OTROC04M5	4	M5x0,8	10	4	19,0	2,5	-
OTROC04M6	4	M6x1	10	4,5	20,0	2,5	-
OTROC04M7	4	M7x1	10	5,5	20,5	2,5	-
OTROC06M5	6	M5x0,8	12	4	21,1	2,5	-
* OTROC06M7C	6	M7x1	10	5,5	20,5	4	-

\* versione compatta

**OTROC-N**

Diritto maschio tondo UNF nichelato per tubo in pollici

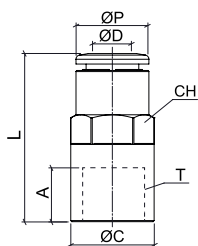


CODICE	ØD	T	ØP	A	L	H	g
OTROC532UF1032	5/32"	UNF 10-32	10	4	19,0	3/32"	12,0
OTROC1-4UF1032	1/4"	UNF 10-32	13	4	21,5	3/32"	16,0



**OTRCF-G**

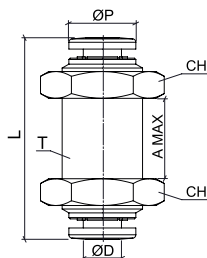
Diritto femmina cilindrico BSPP nichelato per tubo metrico



CODICE	ØD	T	ØP	ØC	A	L	CH	g
OTRCF04G01	4	G 1/8"	10	13	7,5	24,5	10	-
OTRCF04G02		G 1/4"	10	16	11	28,5	10	-
OTRCF06G01	6	G 1/8"	12	13	7,5	26,1	12	-
OTRCF06G02		G 1/4"	12	16	11	29,6	12	-
OTRCF08G01	8	G 1/8"	14	13	7,5	27,2	14	-
OTRCF08G02		G 1/4"	14	16	11	32,2	14	-

**OTRMM**

Passaparete nichelato per tubo metrico



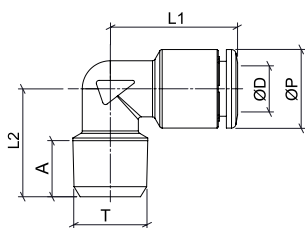
CODICE	ØD	T	ØP	L	A MAX	CH	g
OTRMM04-532	4	M12x1	10	30,0	12	16	23,0
OTRMM0600	6	M14x1	12	35,5	15	17	31,0
OTRMM08-516	8	M16x1	14	36,5	16	19	36,0
OTRMM1000	10	M20x1	16	43,0	19	24	70,0
OTRMM1200	12	M22x1,5	19	44,0	20	25	76,0

Passaparete nichelato per tubo in pollici

CODICE	ØD	T	ØP	L	A MAX	CH	g
OTRMM1-4	1/4"	M16x1	13	35,6	13	17	31,0
OTRMM38	3/8"	M20x1	16	42,5	17	24	70,0

**OTRME**

Gomito maschio fisso conico BSPT nichelato per tubo metrico

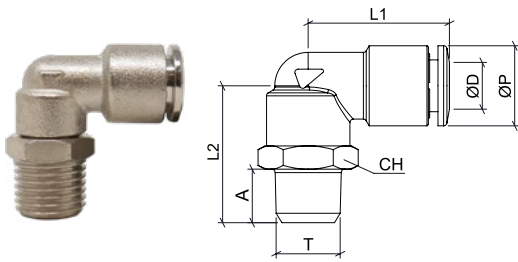


CODICE	ØD	T	ØP	A	L1	L2	g
OTRME04R01	4	R 1/8"	10	8	18,0	15,5	11,0
OTRME06R01	6	R 1/8"	12	8	19,5	15,5	15,0
OTRME06R02		R 1/4"	12	10	20,5	19,0	20,0
OTRME08R01	8	R 1/8"	14	8	22,5	16,5	20,0
OTRME08R02		R 1/4"	14	10	22,5	19,0	24,0



**OTRL-R**

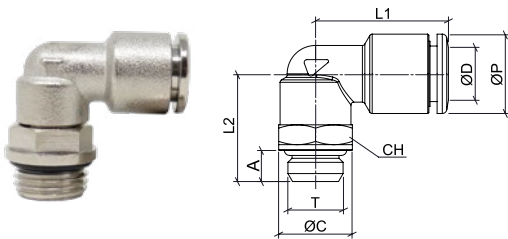
Gomito maschio girevole conico BSPT nichelato per tubo metrico



CODICE	ØD	T	ØP	A	L1	L2	CH	g
OTRLO4R01	4	R 1/8"	10	8	19,5	20,5	13	20,0
OTRLO4R02		R 1/4"	10	10	19,5	23,0	14	23,0
OTRLO6R01	6	R 1/8"	12	8	21,0	20,5	13	20,0
OTRLO6R02		R 1/4"	12	10	21,0	23,0	14	24,0
OTRLO8R01	8	R 1/8"	14	8	23,0	20,5	13	22,0
OTRLO8R02		R 1/4"	14	10	23,0	23,0	14	26,0
OTRLO8R03		R 3/8"	14	11	23,0	24,5	17	32,0
OTRLO10R02	10	R 1/4"	16	10	26,0	25,5	16	41,0
OTRLO10R03		R 3/8"	16	11	26,0	27,0	17	45,0
OTRLO10R04		R 1/2"	16	14	26,0	30,0	22	59,0
OTRLO12R02	12	R 1/4"	19	10	31,0	28,0	20	56,0
OTRLO12R03		R 3/8"	19	11	31,0	28,5	20	59,0
OTRLO12R04		R 1/2"	19	14	31,0	31,5	22	70,0

**OTRL-G**

Gomito maschio girevole cilindrico BSPP & metrico nichelato per tubo metrico



CODICE	ØD	T	ØP	ØC	A	L1	L2	CH	g
OTRLO4M5	4	M5x0,8	10	7	4	18,0	15,0	8	5,0
OTRLO4G01		G 1/8"	10	13	5,5	19,5	19,0	13	19,0
OTRLO4G02		G 1/4"	10	16	6,5	19,5	21,5	13	22,0
OTRLO6M5	6	M5x0,8	12	7	4	19,5	16,0	8	11,0
OTRLO6G01		G 1/8"	12	13	5,5	21,0	19,0	13	20,0
OTRLO6G02		G 1/4"	12	16	6,5	21,0	21,5	13	24,0
OTRLO8G01	8	G 1/8"	14	13	5,5	23,0	19,0	13	22,0
OTRLO8G02		G 1/4"	14	16	6,5	23,0	21,5	13	24,0
OTRLO8G03		G 3/8"	14	20	7,5	23,0	23,0	13	28,0
OTRLO10G02	10	G 1/4"	16	16	6,5	26,0	23,0	16	35,0
OTRLO10G03		G 3/8"	16	20	7,5	26,0	26,0	16	43,5
OTRLO10G04		G 1/2"	16	25	9	26,0	27,5	16	52,0
OTRLO12G02	12	G 1/4"	19	16	6,5	31,0	25,5	20	55,0
OTRLO12G03		G 3/8"	19	20	7,5	31,0	26,5	20	55,0
OTRLO12G04		G 1/2"	19	25	9	31,0	29,0	20	63,0

Gomito maschio girevole cilindrico BSPP nichelato per tubo in pollici

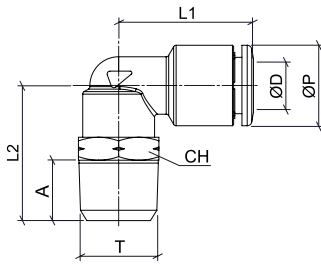
CODICE	ØD	T	ØP	ØC	A	L1	L2	CH	g
OTRLO1-4G01	1/4"	G 1/8"	13	13	5,5	22,0	19,0	13	20,0
OTRLO1-4G02		G 1/4"	13	16	6,5	22,0	21,5	13	24,0
OTRLO3-8G02	3/8"	G 1/4"	16	16	6,5	26,0	23,0	16	35,0
OTRLO3-8G03		G 3/8"	16	20	7,5	26,0	26,0	16	43,5





**OTRL-N**

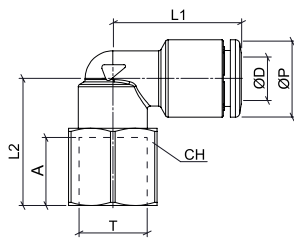
Gomito maschio girevole NPT &amp; UNF nichelato per tubo in pollici



CODICE	ØD	T	ØP	A	L1	L2	CH	g
OTRL532UF1032	5/32"	UNF 10/32"	10	4	18,0	15,0	3/8"	11,0
OTRL532N01		N 1/8"	10	8,5	19,5	21,0	9/16"	20,5
OTRL532N02		N 1/4"	10	10,5	19,5	23,5	9/16"	24,0
OTRL1-4N01	1/4"	N 1/8"	13	8,5	21,5	21,0	9/16"	23,0
OTRL1-4N02		N 1/4"	13	10,5	21,5	23,5	9/16"	26,0
OTRL516N01	5/16"	N 1/8"	14	8,5	23,5	21,0	9/16"	23,0
OTRL516N02		N 1/4"	14	10,5	23,5	23,5	9/16"	24,0
OTRL516N03		N 3/8"	14	11,5	23,5	25,0	11/16"	34,0
OTRL38N01	3/8"	N 1/8"	16	8,5	26,0	24,0	11/16"	40,0
OTRL38N02		N 1/4"	16	10,5	26,0	26,0	11/16"	43,0
OTRL38N03		N 3/8"	16	11,5	26,0	27,5	11/16"	47,0
OTRL38N04		N 1/2"	16	14,5	26,0	30,5	7/8"	60,0
OTRL1-2N02	1/2"	N 1/4"	19	10,5	31,0	28,5	7/8"	58,0
OTRL1-2N03		N 3/8"	19	11,5	31,0	29,5	7/8"	61,0
OTRL1-2N04		N 1/2"	19	14,5	31,0	32,5	7/8"	67,0

**OTRLF-G**

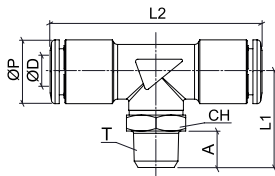
Gomito femmina girevole cilindrico BSPP nichelato per tubo metrico



CODICE	ØD	T	ØP	A	L1	L2	CH	g
OTRLF04G01	4	G 1/8"	10	7,5	19,5	19,2	13	-
OTRLF06G01	6	G 1/8"	12	7,5	21,1	19,0	13	-
OTRLF06G02		G 1/4"	12	11	21,1	23,0	16	-
OTRLF08G01	8	G 1/8"	14	7,5	23,2	19,0	13	-
OTRLF08G02		G 1/4"	14	11	23,2	23,0	16	-

**OTRT-R**

T centrale maschio girevole conico BSPT nichelato per tubo metrico

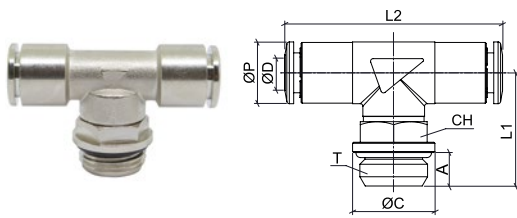


CODICE	ØD	T	ØP	A	L1	L2	CH	g
OTRT04R01	4	R 1/8"	10	8	21,0	39,0	13	27,0
OTRT04R02		R 1/4"	10	10	23,5	39,0	14	31,0
OTRT06R01	6	R 1/8"	12	8	21,0	42,0	13	30,0
OTRT06R02		R 1/4"	12	10	23,5	42,0	14	34,0
OTRT08R01	8	R 1/8"	14	8	21,0	46,5	13	34,0
OTRT08R02		R 1/4"	14	10	23,5	46,5	14	37,0
OTRT08R03		R 3/8"	14	11	24,0	46,5	17	44,0
OTRT10R02	10	R 1/4"	16	10	25,5	52,0	16	55,0
OTRT10R03		R 3/8"	16	11	27,0	52,0	17	58,5
OTRT10R04		R 1/2"	16	14	30,0	52,0	22	73,0
OTRT12R02	12	R 1/4"	19	10	28,0	62,0	20	77,0
OTRT12R03		R 3/8"	19	11	28,5	62,0	20	80,0
OTRT12R04		R 1/2"	19	14	31,5	62,0	22	81,0



**OTRT-G**

T centrale maschio girevole cilindrico BSPP &amp; metrico nichelato per tubo metrico



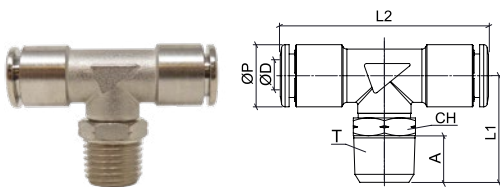
CODICE	ØD	T	ØP	ØC	A	L1	L2	CH	g
OTRT04M5	4	M5x0,8	10	7	4	17,0	32,0	8	17,0
OTRT04G01		G 1/8"	10	13	5,5	19,5	39,0	13	29,0
OTRT04G02		G 1/4"	10	16	6,5	22,0	39,0	13	29,0
OTRT06M5	6	M5x0,8	12	7	4	17,0	40,0	8	21,0
OTRT06G01		G 1/8"	12	13	5,5	19,5	42,0	13	29,0
OTRT06G02		G 1/4"	12	16	6,5	22,0	42,0	13	32,0
OTRT08G01	8	G 1/8"	14	13	5,5	19,5	46,5	13	33,0
OTRT08G02		G 1/4"	14	16	6,5	22,0	46,5	13	35,5
OTRT08G03		G 3/8"	14	20	7,5	23,5	46,5	13	39,0
OTRT10G02	10	G 1/4"	16	16	6,5	23,0	52,0	16	52,0
OTRT10G03		G 3/8"	16	20	7,5	26,0	52,0	16	56,0
OTRT10G04		G 1/2"	16	25	9	27,5	52,0	16	64,5
OTRT12G02	12	G 1/4"	19	16	6,5	25,5	62,0	20	75,0
OTRT12G03		G 3/8"	19	20	7,5	26,5	62,0	20	77,0
OTRT12G04		G 1/2"	19	25	9	29,0	62,0	20	82,0

T centrale maschio girevole cilindrico BSPP nichelato per tubo in pollici

CODICE	ØD	T	ØP	ØC	A	L1	L2	CH	g
OTRT1-4G01	1/4"	G 1/8"	13	13	5,5	19,5	42,5	13	29,0
OTRT1-4G02		G 1/4"	13	16	6,5	22,0	42,5	13	32,0
OTRT38G02	3/8"	G 1/4"	16	16	6,5	23,0	51,5	16	52,0
OTRT38G03		G 3/8"	16	20	7,5	26,0	51,5	16	56,0

**OTRT-N**

T centrale maschio girevole NPT &amp; UNF nichelato per tubo in pollici

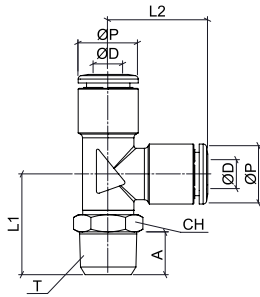


CODICE	ØD	T	ØP	A	L1	L2	CH	g
OTRT532UF1032	5/32"	UNF 10-32"	10	4	17,0	32,0	3/8"	17,0
OTRT532N01		N 1/8"	10	8,5	21,5	39,0	9/16"	28,0
OTRT532N02		N 1/4"	10	10,5	24,0	39,0	9/16"	31,0
OTRT1-4N01	1/4"	N 1/8"	13	8,5	21,5	42,5	9/16"	33,0
OTRT1-4N02		N 1/4"	13	10,5	24,0	42,5	9/16"	36,0
OTRT516N01	5/16"	N 1/8"	14	8,5	21,5	47,0	9/16"	34,0
OTRT516N02		N 1/4"	14	10,5	24,0	47,0	9/16"	37,0
OTRT38N02	3/8"	N 1/4"	16	10,5	26,0	51,5	11/16"	58,0
OTRT38N03		N 3/8"	16	11,5	27,5	51,5	11/16"	61,0
OTRT1-2N02	1/2"	N 1/4"	19	10,5	28,5	62,5	7/8"	75,0
OTRT1-2N03		N 3/8"	19	11,5	29,5	62,5	7/8"	78,0



**OTRST-R**

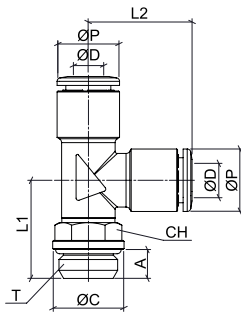
T laterale maschio girevole conico BSPT nichelato per tubo metrico



CODICE	ØD	T	ØP	A	L1	L2	CH
OTRST04R01	4	R 1/8"	10	8	21,0	19,5	13
OTRST04R02		R 1/4"	10	10	23,5	19,5	14
OTRST06R01	6	R 1/8"	12	8	21,0	21,0	13
OTRST06R02		R 1/4"	12	10	23,5	21,0	14
OTRST08R01	8	R 1/8"	14	8	21,0	23,0	13
OTRST08R02		R 1/4"	14	10	23,5	23,0	14
OTRST10R02	10	R 1/4"	16	10	25,5	26,0	16
OTRST10R03		R 3/8"	16	11	27,0	26,0	17
OTRST12R03	12	R 3/8"	19	11	37,0	29,0	20
OTRST12R04		R 1/2"	19	14	40,0	29,0	22

**OTRST-G**

T laterale maschio girevole cilindrico BSPP nichelato per tubo metrico

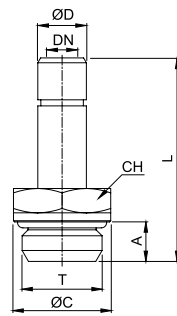


CODICE	ØD	T	ØP	ØC	A	L1	L2	CH
OTRST04G01	4	G 1/8"	10	13	5,5	19,5	19,5	13
OTRST04G02		G 1/4"	10	16	6,5	22,0	19,5	13
OTRST06G01	6	G 1/8"	12	13	5,5	19,5	21,0	13
OTRST06G02		G 1/4"	12	16	6,5	22,0	21,0	13
OTRST08G01	8	G 1/8"	14	13	5,5	19,5	23,0	13
OTRST08G02		G 1/4"	14	16	6,5	22,0	23,0	13
OTRST10G02	10	G 1/4"	16	16	6,5	23,0	26,0	16
OTRST10G03		G 3/8"	16	20	7,5	26,0	26,0	16
OTRST12G03	12	G 3/8"	19	20	7,5	35,0	29,0	20
OTRST12G04		G 1/2"	19	25	9	37,0	29,0	20



**OTRA-G**

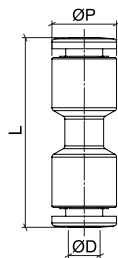
Adattatore cilindrico BSPP & metrico nichelato per tubo metrico



CODICE	ØD	T	ØC	A	L	CH	DN	g
OTRA04M5	4	M5x0,8	7	4	24,5	8	2,0	3,0
OTRA04M7		M7x1	10	5,5	27,0	10	2,0	5,0
OTRA04G01		G 1/8"	13	5,5	27,0	13	2,0	10,0
OTRA04G02		G 1/4"	16	6,5	29,5	13	2,0	11,0
OTRA06M5	6	M5x0,8	7	4	25,5	8	2,5	5,0
OTRA06M7		M7x1	10	5,5	27,0	10	4,0	7,0
OTRA06G01		G 1/8"	13	5,5	28,0	13	4,0	9,0
OTRA06G02		G 1/4"	16	6,5	30,5	13	4,0	13,0
OTRA08G01	8	G 1/8"	13	5,5	29,5	13	6,0	10,0
OTRA08G02		G 1/4"	16	6,5	32,0	13	6,0	13,0
OTRA08G03		G 3/8"	20	7,5	33,5	13	6,0	21,0
OTRA10G01	10	G 1/8"	13	5,5	34,0	13	8,0	17,0
OTRA10G02		G 1/4"	16	6,5	36,5	13	8,0	15,0
OTRA10G03		G 3/8"	20	7,5	37,5	16	8,0	26,0
OTRA12G02	12	G 1/4"	16	6,5	37,5	13	8,5	22,0
OTRA12G03		G 3/8"	20	7,5	41,5	16	10,0	22,0
OTRA12G04		G 1/2"	25	9	43,0	20	10,0	35,0

**OTRUC**

Intermedio diritto nichelato per tubo metrico



CODICE	ØD	ØP	L	g
OTRUC04-532	4	10	29,0	9,0
OTRUC0600	6	12	32,0	12,0
OTRUC08-516	8	14	36,0	16,0
OTRUC1000	10	16	39,0	21,0
OTRUC1200	12	19	44,5	37,0

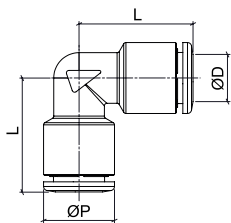
Intermedio diritto nichelato per tubo in pollici

CODICE	ØD	ØP	L	g
OTRUC04-532	5/32"	10	29,0	9,0
OTRUC1-4	1/4"	13	33,0	14,0
OTRUC08-516	5/16"	14	35,5	16,0
OTRUC38	3/8"	16	38,5	21,0
OTRUC1-2	1/2"	19	44,5	37,0



**OTRUL**

## Intermedio a gomito nichelato per tubo metrico



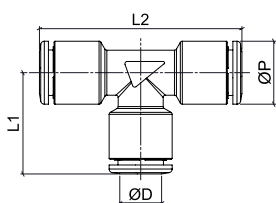
CODICE	ØD	ØP	L	g
OTRUL04-532	4	10	18,0	12,0
OTRUL0600	6	12	19,5	14,0
OTRUL08-516	8	14	22,5	20,0
OTRUL1000	10	16	25,5	26,0
OTRUL1200	12	19	29,0	49,0

## Intermedio a gomito nichelato per tubo in pollici

CODICE	ØD	ØP	L	g
OTRUL04-532	5/32"	10	18,0	12,0
OTRUL1-4	1/4"	13	21,0	19,0
OTRUL08-516	5/16"	14	22,5	20,0
OTRUL38	3/8"	16	25,0	28,0
OTRUL1-2	1/2"	19	29,0	49,0

**OTRUT**

## Intermedio a T nichelato per tubo metrico



CODICE	ØD	ØP	L1	L2	g
OTRUT04-532	4	10	18,0	36,0	17,0
OTRUT0600	6	12	19,5	39,0	20,0
OTRUT08-516	8	14	22,5	45,5	30,0
OTRUT1000	10	16	25,5	50,5	37,0
OTRUT1200	12	19	29,0	58,5	68,0

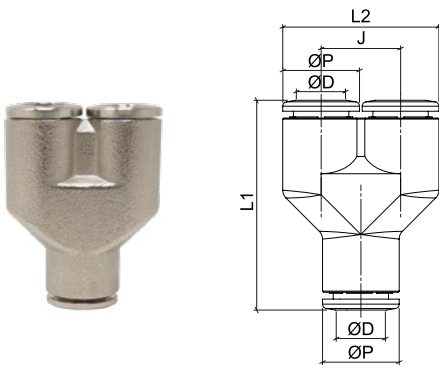
## Intermedio a T nichelato per tubo in pollici

CODICE	ØD	ØP	L1	L2	g
OTRUT04-532	5/32"	10	18,0	36,0	17,0
OTRUT1-4	1/4"	13	21,0	42,0	27,0
OTRUT08-516	5/16"	14	22,5	45,5	30,0
OTRUT38	3/8"	16	25,0	50,5	38,0
OTRUT1-2	1/2"	19	29,0	58,0	59,0



**OTRY**

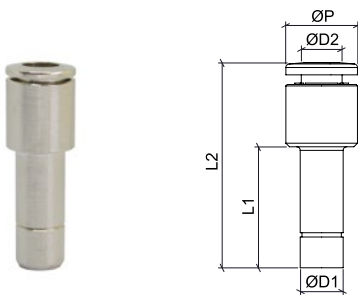
## Intermedio a Y nichelato per tubo metrico



CODICE	ØD	ØP	J	L1	L2	g
OTRY04	4	10	10,5	32,0	20,5	
OTRY06	6	12	12,5	35,5	24,5	
OTRY08	8	14	14,5	38,5	28,5	
OTRY10	10	16	17,0	45,5	33,0	
OTRY12	12	19	20,0	52,5	39,0	

**OTRGJ**

## Riduzione codolo nichelato per tubo metrico



CODICE	ØD1	ØD2	ØP	L1	L2	g
OTRGJ0604	6	4	10	18,0	30,0	6,0
OTRGJ0804	8	4	10	19,5	32,0	
OTRGJ0806	8	6	12	19,5	32,5	10,0
OTRGJ1006	10	6	12	24,0	37,0	
OTRGJ1008	10	8	14	24,0	38,0	13,0
OTRGJ1208	12	8	14	25,0	39,0	
OTRGJ1210	12	10	16	25,0	41,0	18,0

