

RACCORDI A FUNZIONE REGOLATORI DI FLUSSO

PLUS

**DIVERSE SOLUZIONI PER OGNI TIPO DI
APPLICAZIONE**

**GRANDE GAMMA DI MATERIALI
DISPONIBILE**

**REGOLAZIONE PRECISA IN GRADO DI
GARANTIRE IL RISPARMIO ENERGETICO
PIÙ ALTO**

**DIMENSIONI E PRESTAZIONI
OTTIMIZZATE**



REGOLATORI
DI FLUSSO
CDC PNEUMATICS



p. 110 / **NSC-R**



p. 110 / **NSC-R-IN**



p. 111 / **NSC-G**



p. 111 / **NSC-G-IN**



p. 112 / **NSC-R-DC**



p. 112 / **NSC-R-DC-IN**



p. 113 / **NSC-G-DC**



p. 113 / **NSC-G-DC-IN**



p. 114 / **NSS-R**



p. 114 / **NSS-R-IN**



p. 115 / **NSS-G**



p. 115 / **NSS-G-IN**



p. 116 / **NSS-R-DC**



p. 116 / **NSS-R-DC-IN**



p. 117 / **NSS-G-DC**



p. 117 / **NSS-G-DC-IN**



p. 118 / **NSCF**



p. 118 / **NSF**



p. 118 / **NSFB**



p. 119 / **NSFF**

REGOLATORE
DI FLUSSO
IN OTTONE



p. 122 / **OTSC-G**



p. 122 / **OTSC-G-IN**



p. 123 / **OTSC-G-D**



p. 123 / **OTSC-G-D-IN**



p. 123 / **OTSC-G-D-B**



p. 124 / **OTSC-G-DF**



p. 124 / **OTSC-G-DF-IN**



p. 124 / **OTSC-G-DF-B**

REGOLATORE
DI FLUSSO
IN LINEA
IN ALLUMINIO



p. 125 / **ASF-B**



p. 125 / **ASF-U**

REGOLATORE
DI FLUSSO
PER ALTE PRESTAZIONI



p. 127 / **HSTU**



p. 127 / **HSLU**



p. 127 / **HSTB**



p. 127 / **HSLB**

REGOLATORE
DI FLUSSO IN LINEA
IN OTTONE PER
ACQUA POTABILE



p. 128 / **HSF-B**



REGOLATORE
DI FLUSSO
A BANJO
INOX AISI 316



p. 129 / **SXSC-D**



p. 129 / **SXSC-DF**

REGOLATORE
DI FLUSSO IN LINEA
INOX AISI 316



p. 130 / **XSFC-U**



p. 130 / **XSFC-B**



p. 131 / **XSFC-U-N**



p. 131 / **XSFC-B-N**





da 0°C a 60°C



Pressione d'esercizio: 10 Bar
Pressione Negativa: 750mmHg



Aria Compressa & Vuoto
Da non utilizzare con acqua



Gas Conica BSPT ISO 7
da R1/8" a R1/2" preteflonata
Gas Cilindrica BSPP ISO 228
con OR da G1/8" a G1/2"
Metrica M5, M6



Poliammide (PA), Poliuretano (PU),
Polietilene (PE)



Corpo: Ottone nichelato e PBT
Collare: Zinco
Pinza: Acciaio inox AISI 301
Colletto: POM
O-ring: NBR
Distanziale: POM
Pomello: Ottone nichelato
Ghiera di fissaggio: Ottone nichelato

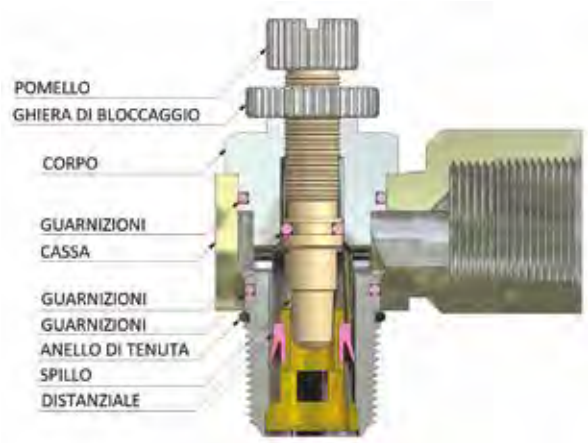
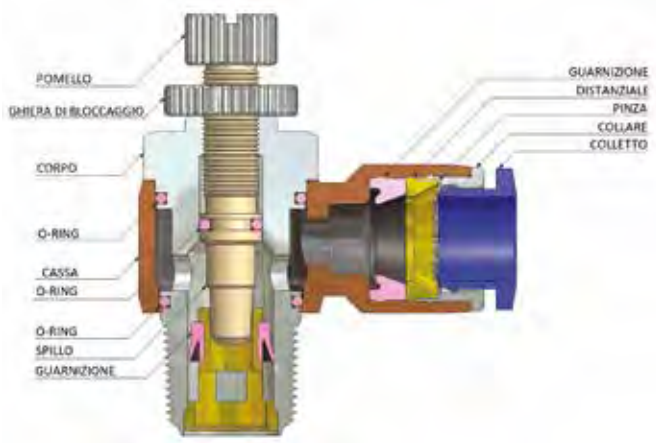


Prodotti conformi alla
direttiva 2002/95/EC

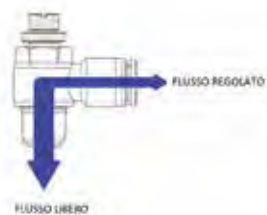
RoHS2

Prodotti conformi alla
direttiva 2002/95/EC

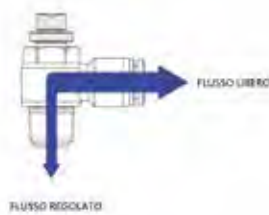
MATERIALI COSTRUTTIVI



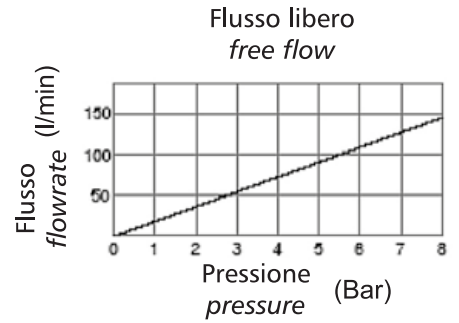
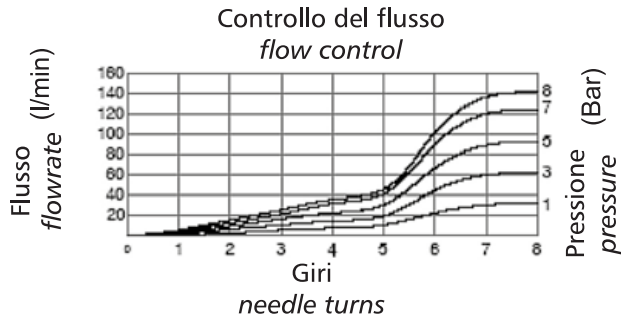
USCITA



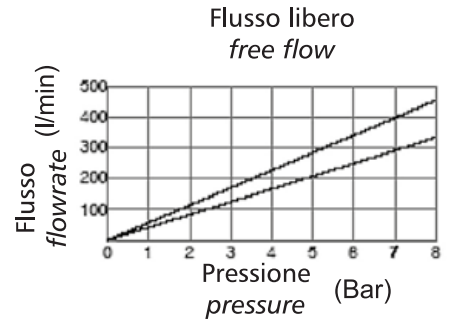
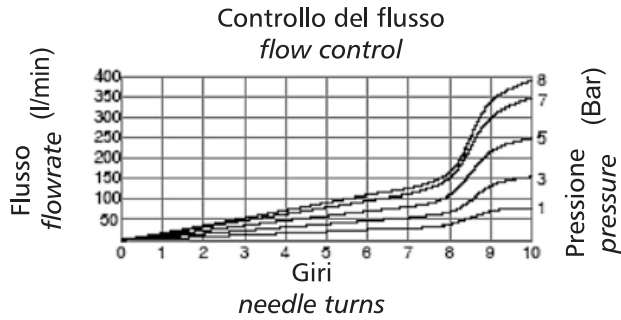
INGRESSO



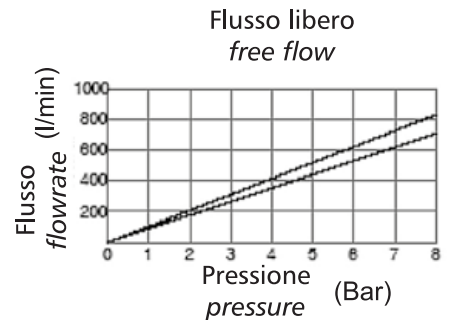
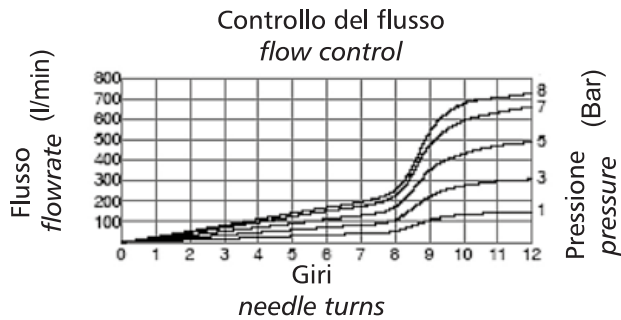
NSC 04M5
NSC 06M5



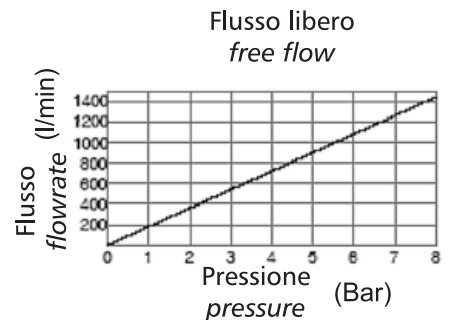
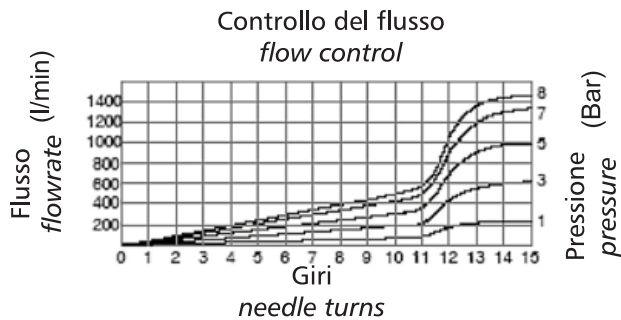
NSC 0401
NSC 0601
NSC 0801



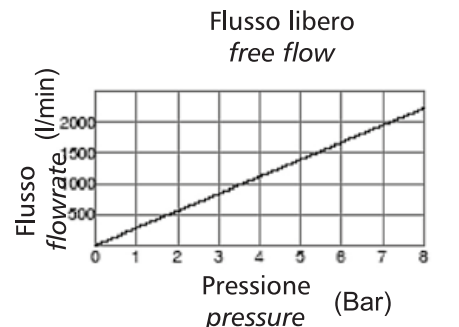
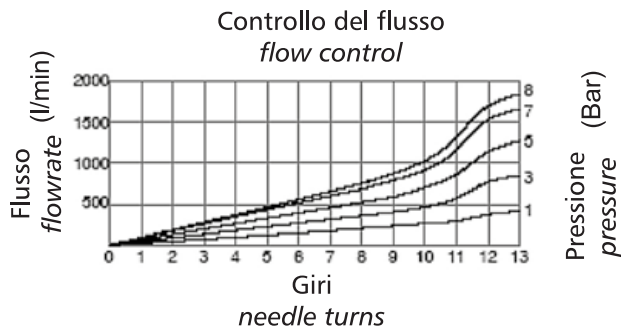
NSC 0402
NSC 0602
NSC 0802
NSC 1002
NSC 1202



NSC 0603
NSC 0803
NSC 1003
NSC 1203

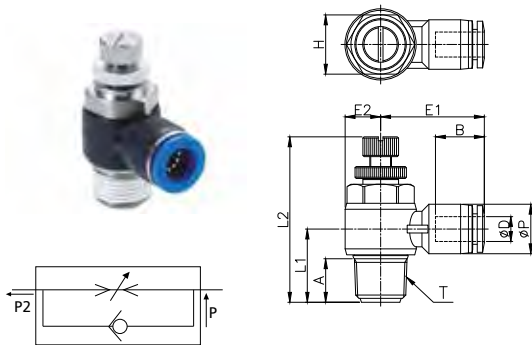


NSC 0804
NSC 1004
NSC 1204



NSC-R

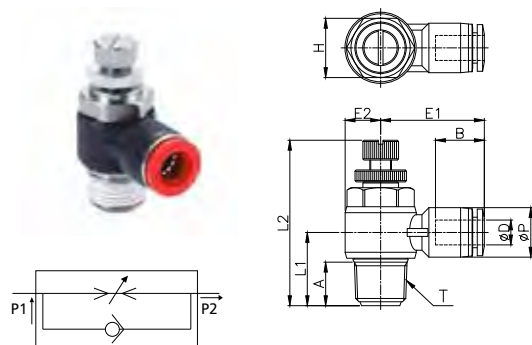
Regolatore di flusso a banjo, conico BSPT per cilindri, con regolazione manuale



CODE	ØD	ØP	T	L1	L2 MIN	L2 MAX	E1	E2	A	B	H	GR.
NSC04R01	4	10.5	R 1/8	15.1	35.5	40.7	23.3	7.0	8.2	15.3	11	20.0
NSC04R02	4	10.5	R 1/4	18.4	40.3	46.6	25.3	9.0	11.0	15.3	15	36.0
NSC06R01	6	12.5	R 1/8	15.1	35.5	40.7	24.2	7.0	8.2	16.4	11	21.0
NSC06R02	6	12.5	R 1/4	18.4	40.3	46.6	26.2	9.0	11.0	16.4	15	37.0
NSC06R03	6	12.5	R 3/8	21.9	46.9	54.9	27.7	11.0	12.2	16.4	19	70.0
NSC06R04	6	12.5	R 1/2	26.5	54.0	60.1	30.8	14.0	16.5	16.4	24	108.0
NSC08R01	8	14.5	R 1/8	16.2	35.5	40.7	25.9	7.0	8.2	18.3	11	22.0
NSC08R02	8	14.5	R 1/4	19.2	40.3	46.6	27.9	9.0	11.0	18.3	15	38.0
NSC08R03	8	14.5	R 3/8	21.9	46.9	54.9	28.9	11.0	12.2	18.3	19	71.0
NSC08R04	8	14.5	R 1/2	26.5	54.0	60.1	31.8	14.0	16.5	18.3	24	109.0
NSC10R01	10	17.5	R 1/8	17.7	35.5	40.7	27.9	7.0	8.2	19.7	11	26.0
NSC10R02	10	17.5	R 1/4	20.7	40.3	46.6	29.9	9.0	11.0	19.7	15	42.0
NSC10R03	10	17.5	R 3/8	23.2	46.9	54.9	31.0	11.2	12.2	19.7	19	73.0
NSC10R04	10	17.5	R 1/2	26.5	54.0	60.1	33.4	14.0	16.5	19.7	24	110.0
NSC12R02	12	20.5	R 1/4	22.2	40.3	46.6	33.3	9.0	11.0	22.4	15	45.0
NSC12R03	12	20.5	R 3/8	24.0	46.9	54.9	33.7	11.5	12.2	21.9	19	75.0
NSC12R04	12	20.5	R 1/2	28.0	54.0	60.1	36.1	14.0	16.5	21.9	24	113.0

NSC-R-IN

Regolatore di flusso a banjo, conico BSPT per valvole, con regolazione manuale

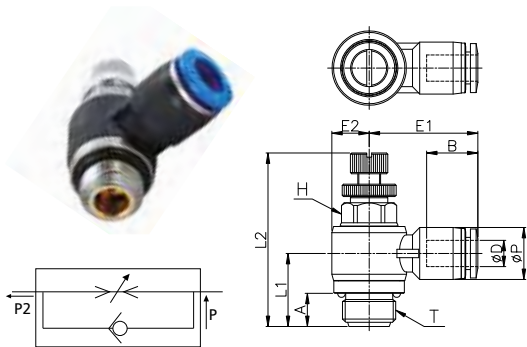


CODE	ØD	ØP	T	L1	L2 MIN	L2 MAX	E1	E2	A	B	H	GR.
NSC04R01-IN	4	10.5	R 1/8	15.1	35.5	40.7	23.3	7.0	8.2	15.3	11	20.0
NSC04R02-IN	4	10.5	R 1/4	18.4	40.3	46.6	25.3	9.0	11.0	15.3	15	36.0
NSC06R01-IN	6	12.5	R 1/8	15.1	35.5	40.7	24.2	7.0	8.2	16.4	11	21.0
NSC06R02-IN	6	12.5	R 1/4	18.4	40.3	46.6	26.2	9.0	11.0	16.4	15	37.0
NSC06R03-IN	6	12.5	R 3/8	21.9	46.9	54.9	27.7	11.0	12.2	16.4	19	70.0
NSC06R04-IN	6	12.5	R 1/2	26.5	54.0	60.1	30.8	14.0	16.5	16.4	24	108.0
NSC08R01-IN	8	14.5	R 1/8	16.2	35.5	40.7	25.9	7.0	8.2	18.3	11	22.0
NSC08R02-IN	8	14.5	R 1/4	19.2	40.3	46.6	27.9	9.0	11.0	18.3	15	38.0
NSC08R03-IN	8	14.5	R 3/8	21.9	46.9	54.9	28.9	11.0	12.2	18.3	19	71.0
NSC08R04-IN	8	14.5	R 1/2	26.5	54.0	60.1	31.8	14.0	16.5	18.3	24	109.0
NSC10R01-IN	10	17.5	R 1/8	17.7	35.5	40.7	27.9	7.0	8.2	19.7	11	26.0
NSC10R02-IN	10	17.5	R 1/4	20.7	40.3	46.6	29.9	9.0	11.0	19.7	15	42.0
NSC10R03-IN	10	17.5	R 3/8	23.2	46.9	54.9	31.0	11.2	12.2	19.7	19	73.0
NSC10R04-IN	10	17.5	R 1/2	26.5	54.0	60.1	33.4	14.0	16.5	19.7	24	110.0
NSC12R02-IN	12	20.5	R 1/4	22.2	40.3	46.6	33.3	9.0	11.0	22.4	15	45.0
NSC12R03-IN	12	20.5	R 3/8	24.0	46.9	54.9	33.7	11.5	12.2	21.9	19	75.0
NSC12R04-IN	12	20.5	R 1/2	28.0	54.0	60.1	36.1	14.0	16.5	21.9	24	113.0



NSC-G

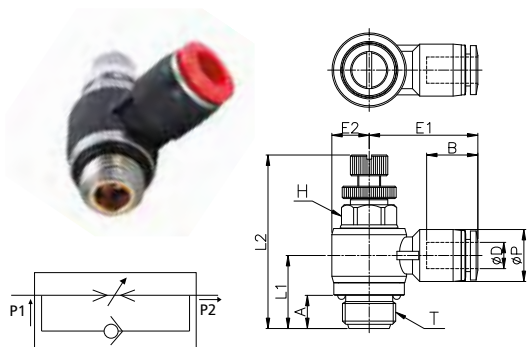
Regolatore di flusso a banjo, cilindrico BSPP & metrico per cilindri, con regolazione manuale



CODE	ØD	ØP	T	L1	L2 MIN	L2 MAX	E1	E2	A	B	H	GR.
NSC03M5	3	7.8	M5X0.8P	9.6	27.1	29.1	16.5	5.0	3.6	11.3	8	8.0
NSC04M3	4	10.5	M3X0.5P	10.3	27.1	29.1	20.2	5.0	3.0	14.8	8	8.2
NSC04M5	4	10.5	M5X0.8P	10.3	27.1	29.1	20.2	5.0	3.6	14.8	8	9.0
NSC04G01	4	10.5	G 1/8	15.3	34.6	39.8	23.3	7.0	6.0	15.3	8	20.0
NSC04G02	4	10.5	G 1/4	17.6	39.8	46.1	25.3	9.0	8.0	15.3	12	34.0
NSC06M5	6	12.5	M5X0.8P	11.4	27.1	29.1	22.7	5.0	3.6	16.4	8	10.0
NSC06G01	6	12.5	G 1/8	15.3	34.6	39.8	24.2	7.0	6.0	16.4	8	20.0
NSC06G02	6	12.5	G 1/4	17.6	39.8	46.1	26.2	9.0	8.0	16.4	12	36.0
NSC06G03	6	12.5	G 3/8	21.4	47.7	54.9	27.7	11.0	8.0	16.4	14	68.0
NSC06G04	6	12.5	G 1/2	22.9	54.5	61.7	30.8	14.0	9.0	16.4	17	103.0
NSC08G01	8	14.5	G 1/8	14.2	34.6	39.8	25.9	7.0	6.0	18.3	8	22.0
NSC08G02	8	14.5	G 1/4	16.9	39.8	46.1	27.9	9.0	8.0	18.3	12	37.0
NSC08G03	8	14.5	G 3/8	21.4	47.7	54.9	28.9	11.0	8.0	18.3	14	69.0
NSC08G04	8	14.5	G 1/2	22.9	54.5	61.7	31.8	14.0	9.0	18.3	17	104.0
NSC10G01	10	17.5	G 1/8	12.7	34.6	39.8	27.9	7.0	6.0	19.7	8	26.0
NSC10G02	10	17.5	G 1/4	16.4	39.8	46.1	29.9	9.0	8.0	19.7	12	41.0
NSC10G03	10	17.5	G 3/8	20.1	47.7	54.9	31.0	11.2	8.0	19.7	14	71.0
NSC10G04	10	17.5	G 1/2	22.9	54.5	61.7	33.4	14.0	9.0	19.7	17	106.0
NSC12G02	12	20.5	G 1/4	14.9	39.8	46.1	33.3	9.0	8.0	22.4	12	43.0
NSC12G03	12	20.5	G 3/8	19.3	47.7	54.9	33.7	11.5	8.0	21.9	14	71.0
NSC12G04	12	20.5	G 1/2	21.6	54.5	61.7	36.1	14.0	9.0	21.9	17	108.0

NSC-G-IN

Regolatore di flusso a banjo, cilindrico BSPP & metrico per valvole, con regolazione manuale

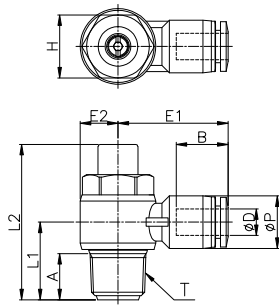


CODE	ØD	ØP	T	L1	L2 MIN	L2 MAX	E1	E2	A	B	H	GR.
NSC03M5-IN	3	7.8	M5X0.8P	9.6	27.1	29.1	16.5	5.0	3.6	11.3	8	8.0
NSC04M3-IN	4	10.5	M3X0.5P	10.3	27.1	29.1	20.2	5.0	3.0	14.8	8	8.2
NSC04M5-IN	4	10.5	M5X0.8P	10.3	27.1	29.1	20.2	5.0	3.6	14.8	8	9.0
NSC04G01-IN	4	10.5	G 1/8	15.3	34.6	39.8	23.3	7.0	6.0	15.3	8	20.0
NSC04G02-IN	4	10.5	G 1/4	17.6	39.8	46.1	25.3	9.0	8.0	15.3	12	34.0
NSC06M5-IN	6	12.5	M5X0.8P	11.4	27.1	29.1	22.7	5.0	3.6	16.4	8	10.0
NSC06G01-IN	6	12.5	G 1/8	15.3	34.6	39.8	24.2	7.0	6.0	16.4	8	20.0
NSC06G02-IN	6	12.5	G 1/4	17.6	39.8	46.1	26.2	9.0	8.0	16.4	12	36.0
NSC06G03-IN	6	12.5	G 3/8	21.4	47.7	54.9	27.7	11.0	8.0	16.4	14	68.0
NSC06G04-IN	6	12.5	G 1/2	22.9	54.5	61.7	30.8	14.0	9.0	16.4	17	103.0
NSC08G01-IN	8	14.5	G 1/8	14.2	34.6	39.8	25.9	7.0	6.0	18.3	8	22.0
NSC08G02-IN	8	14.5	G 1/4	16.9	39.8	46.1	27.9	9.0	8.0	18.3	12	37.0
NSC08G03-IN	8	14.5	G 3/8	21.4	47.7	54.9	28.9	11.0	8.0	18.3	14	69.0
NSC08G04-IN	8	14.5	G 1/2	22.9	54.5	61.7	31.8	14.0	9.0	18.3	17	104.0
NSC10G01-IN	10	17.5	G 1/8	12.7	34.6	39.8	27.9	7.0	6.0	19.7	8	26.0
NSC10G02-IN	10	17.5	G 1/4	16.4	39.8	46.1	29.9	9.0	8.0	19.7	12	41.0
NSC10G03-IN	10	17.5	G 3/8	20.1	47.7	54.9	31.0	11.2	8.0	19.7	14	71.0
NSC10G04-IN	10	17.5	G 1/2	22.9	54.5	61.7	33.4	14.0	9.0	19.7	17	106.0
NSC12G02-IN	12	20.5	G 1/4	14.9	39.8	46.1	33.3	9.0	8.0	22.4	12	43.0
NSC12G03-IN	12	20.5	G 3/8	19.3	47.7	54.9	33.7	11.5	8.0	21.9	14	71.0
NSC12G04-IN	12	20.5	G 1/2	21.6	54.5	61.7	36.1	14.0	9.0	21.9	17	108.0



NSC-R-DC

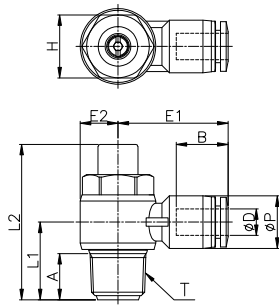
Regolatore di flusso conico, BSPT per cilindri con regolazione a cacciavite con vite a scomparsa



CODE	ØD	ØP	T	L1	L2	E1	E2	A	B	H	GR.
NSC-04R01-DC	4	10.5	R 1/8	15.1	31.5	23.3	7.0	8.2	15.3	11	16.0
NSC-04R02-DC	4	10.5	R 1/4	18.4	37.0	25.3	9.0	11.0	15.3	15	35.0
NSC-06R01-DC	6	12.5	R 1/8	15.1	31.5	24.2	7.0	8.2	16.4	11	18.0
NSC-06R02-DC	6	12.5	R 1/4	18.4	37.0	26.2	9.0	11.0	16.4	15	33.0
NSC-06R03-DC	6	12.5	R 3/8	21.9	43.3	27.7	11.0	12.2	16.4	19	63.0
NSC-06R04-DC	6	12.5	R 1/2	26.5	50.2	30.8	14.0	16.5	16.4	24	108.0
NSC-08R01-DC	8	14.5	R 1/8	16.2	31.5	25.9	7.0	8.2	18.3	11	20.0
NSC-08R02-DC	8	14.5	R 1/4	19.2	37.0	27.9	9.0	11.0	18.3	15	34.0
NSC-08R03-DC	8	14.5	R 3/8	21.9	43.3	28.9	11.0	12.2	18.3	19	64.0
NSC-08R04-DC	8	14.5	R 1/2	26.5	50.2	31.8	14.0	16.5	18.3	24	100.0
NSC-10R01-DC	10	17.5	R 1/8	17.7	31.5	27.9	7.0	8.2	19.7	11	26.0
NSC-10R02-DC	10	17.5	R 1/4	20.7	37.0	29.9	9.0	11.0	19.7	15	38.0
NSC-10R03-DC	10	17.5	R 3/8	23.2	43.3	31.0	11.2	12.2	19.7	19	63.0
NSC-10R04-DC	10	17.5	R 1/2	26.5	50.2	33.4	14.0	16.5	19.7	24	103.0
NSC-12R02-DC	12	20.5	R 1/4	22.2	37.0	33.3	9.0	11.0	22.4	15	42.0
NSC-12R03-DC	12	20.5	R 3/8	24.0	43.3	33.7	11.5	12.2	21.9	19	65.0
NSC-12R04-DC	12	20.5	R 1/2	28.0	50.2	36.1	14.0	16.5	21.9	24	104.0

NSC-R-DC-IN

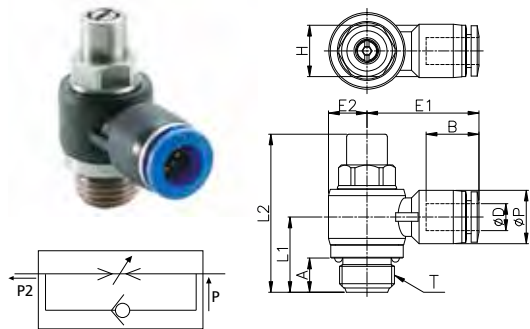
Regolatore di flusso conico, BSPT per valvole con regolazione a cacciavite con vite a scomparsa



CODE	ØD	ØP	T	L1	L2	E1	E2	A	B	H	GR.
NSC-04R01-DC-IN	4	10.5	R 1/8	15.1	31.5	23.3	7.0	8.2	15.3	11	16.0
NSC-04R02-DC-IN	4	10.5	R 1/4	18.4	37.0	25.3	9.0	11.0	15.3	15	35.0
NSC-06R01-DC-IN	6	12.5	R 1/8	15.1	31.5	24.2	7.0	8.2	16.4	11	18.0
NSC-06R02-DC-IN	6	12.5	R 1/4	18.4	37.0	26.2	9.0	11.0	16.4	15	33.0
NSC-06R03-DC-IN	6	12.5	R 3/8	21.9	43.3	27.7	11.0	12.2	16.4	19	63.0
NSC-06R04-DC-IN	6	12.5	R 1/2	26.5	50.2	30.8	14.0	16.5	16.4	24	108.0
NSC-08R01-DC-IN	8	14.5	R 1/8	16.2	31.5	25.9	7.0	8.2	18.3	11	20.0
NSC-08R02-DC-IN	8	14.5	R 1/4	19.2	37.0	27.9	9.0	11.0	18.3	15	34.0
NSC-08R03-DC-IN	8	14.5	R 3/8	21.9	43.3	28.9	11.0	12.2	18.3	19	64.0
NSC-08R04-DC-IN	8	14.5	R 1/2	26.5	50.2	31.8	14.0	16.5	18.3	24	100.0
NSC-10R01-DC-IN	10	17.5	R 1/8	17.7	31.5	27.9	7.0	8.2	19.7	11	26.0
NSC-10R02-DC-IN	10	17.5	R 1/4	20.7	37.0	29.9	9.0	11.0	19.7	15	38.0
NSC-10R03-DC-IN	10	17.5	R 3/8	23.2	43.3	31.0	11.2	12.2	19.7	19	63.0
NSC-10R04-DC-IN	10	17.5	R 1/2	26.5	50.2	33.4	14.0	16.5	19.7	24	103.0
NSC-12R02-DC-IN	12	20.5	R 1/4	22.2	37.0	33.3	9.0	11.0	22.4	15	42.0
NSC-12R03-DC-IN	12	20.5	R 3/8	24.0	43.3	33.7	11.5	12.2	21.9	19	65.0
NSC-12R04-DC-IN	12	20.5	R 1/2	28.0	50.2	36.1	14.0	16.5	21.9	24	104.0

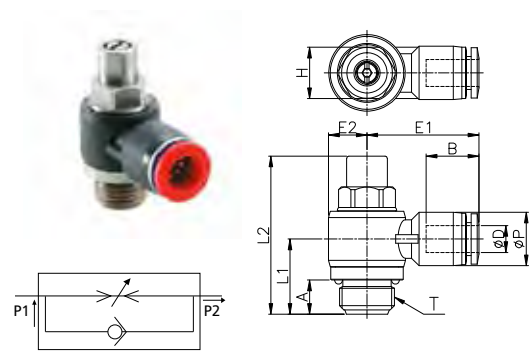


NSC-G-DC Regolatore di flusso cilindrico, BSPP & metrico per cilindri con regolazione a cacciavite con vite a scomparsa



CODE	ØD	ØP	T	L1	L2	E1	E2	A	B	H	GR.
NSC-03M5-DC	3	7.8	M5X0.8P	9.6	23.2	16.5	5.0	3.6	11.3	8	6.0
NSC-04M5-DC	4	10.5	M5X0.8P	10.3	23.2	20.2	5.0	3.6	14.8	8	7.0
NSC-04G01-DC	4	10.5	G 1/8	15.3	31.5	23.3	7.0	6.0	15.3	8	16.0
NSC-04G02-DC	4	10.5	G 1/4	17.6	37.0	25.3	9.0	8.0	15.3	12	35.0
NSC-06M5-DC	6	12.5	M5X0.8P	11.4	23.2	22.7	5.0	3.6	16.4	8	9.0
NSC-06G01-DC	6	12.5	G 1/8	15.3	31.5	24.2	7.0	6.0	16.4	8	18.0
NSC-06G02-DC	6	12.5	G 1/4	17.6	37.0	26.2	9.0	8.0	16.4	12	33.0
NSC-06G03-DC	6	12.5	G 3/8	21.4	43.6	27.7	11.0	8.0	16.4	14	63.0
NSC-06G04-DC	6	12.5	G 1/2	22.9	50.0	30.8	14.0	9.0	16.4	17	108.0
NSC-08G01-DC	8	14.5	G 1/8	14.2	31.5	25.9	7.0	6.0	18.3	8	20.0
NSC-08G02-DC	8	14.5	G 1/4	16.9	37.0	27.9	9.0	8.0	18.3	12	34.0
NSC-08G03-DC	8	14.5	G 3/8	21.4	43.6	28.9	11.0	8.0	18.3	14	64.0
NSC-08G04-DC	8	14.5	G 1/2	22.9	50.0	31.8	14.0	9.0	18.3	17	100.0
NSC-10G01-DC	10	17.5	G 1/8	12.7	31.5	27.9	7.0	6.0	19.7	8	26.0
NSC-10G02-DC	10	17.5	G 1/4	16.4	37.0	29.9	9.0	8.0	19.7	12	38.0
NSC-10G03-DC	10	17.5	G 3/8	20.1	43.6	31.0	11.2	8.0	19.7	14	63.0
NSC-10G04-DC	10	17.5	G 1/2	22.9	50.0	33.4	14.0	9.0	19.7	17	103.0
NSC-12G02-DC	12	20.5	G 1/4	14.9	37.0	33.3	9.0	8.0	22.4	12	42.0
NSC-12G03-DC	12	20.5	G 3/8	19.3	43.6	33.7	11.5	8.0	21.9	14	65.0
NSC-12G04-DC	12	20.5	G 1/2	21.6	50.0	36.1	14.0	9.0	21.9	17	104.0

NSC-G-DC-IN Regolatore di flusso cilindrico, BSPP & metrico per valvole con regolazione a cacciavite con vite a scomparsa

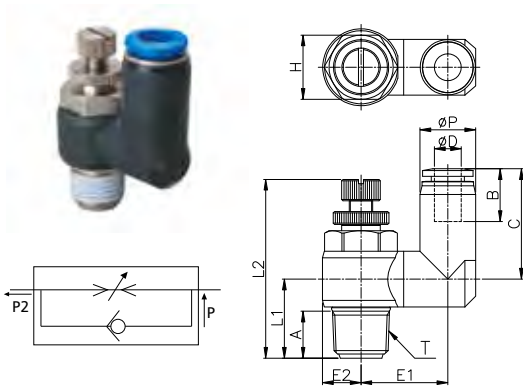


CODE	ØD	ØP	T	L1	L2	E1	E2	A	B	H	GR.
NSC-03M5-DC-IN	3	7.8	M5X0.8P	9.6	23.2	16.5	5.0	3.6	11.3	8	6.0
NSC-04M5-DC-IN	4	10.5	M5X0.8P	10.3	23.2	20.2	5.0	3.6	14.8	8	7.0
NSC-04G01-DC-IN	4	10.5	G 1/8	15.3	31.5	23.3	7.0	6.0	15.3	8	16.0
NSC-04G02-DC-IN	4	10.5	G 1/4	17.6	37.0	25.3	9.0	8.0	15.3	12	35.0
NSC-06M5-DC-IN	6	12.5	M5X0.8P	11.4	23.2	22.7	5.0	3.6	16.4	8	9.0
NSC-06G01-DC-IN	6	12.5	G 1/8	15.3	31.5	24.2	7.0	6.0	16.4	8	18.0
NSC-06G02-DC-IN	6	12.5	G 1/4	17.6	37.0	26.2	9.0	8.0	16.4	12	33.0
NSC-06G03-DC-IN	6	12.5	G 3/8	21.4	43.6	27.7	11.0	8.0	16.4	14	63.0
NSC-06G04-DC-IN	6	12.5	G 1/2	22.9	50.0	30.8	14.0	9.0	16.4	17	108.0
NSC-08G01-DC-IN	8	14.5	G 1/8	14.2	31.5	25.9	7.0	6.0	18.3	8	20.0
NSC-08G02-DC-IN	8	14.5	G 1/4	16.9	37.0	27.9	9.0	8.0	18.3	12	34.0
NSC-08G03-DC-IN	8	14.5	G 3/8	21.4	43.6	28.9	11.0	8.0	18.3	14	64.0
NSC-08G04-DC-IN	8	14.5	G 1/2	22.9	50.0	31.8	14.0	9.0	18.3	17	100.0
NSC-10G01-DC-IN	10	17.5	G 1/8	12.7	31.5	27.9	7.0	6.0	19.7	8	26.0
NSC-10G02-DC-IN	10	17.5	G 1/4	16.4	37.0	29.9	9.0	8.0	19.7	12	38.0
NSC-10G03-DC-IN	10	17.5	G 3/8	20.1	43.6	31.0	11.2	8.0	19.7	14	63.0
NSC-10G04-DC-IN	10	17.5	G 1/2	22.9	50.0	33.4	14.0	9.0	19.7	17	103.0
NSC-12G02-DC-IN	12	20.5	G 1/4	14.9	37.0	33.3	9.0	8.0	22.4	12	42.0
NSC-12G03-DC-IN	12	20.5	G 3/8	19.3	43.6	33.7	11.5	8.0	21.9	14	65.0
NSC-12G04-DC-IN	12	20.5	G 1/2	21.6	50.0	36.1	14.0	9.0	21.9	17	104.0



NSS-R

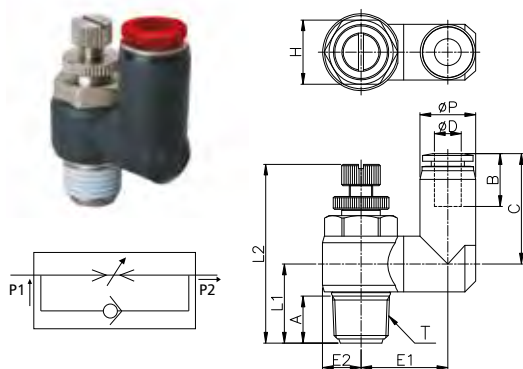
Regolatore di flusso a banjo girevole conico BSPT per cilindri con regolazione manuale



CODE	ØD	ØP	T	L1	L2 MIN	L2 MAX	E1	E2	A	B	H	C	GR.
NSS04R01	4	10.5	R 1/8	15.1	35.5	40.7	14.3	7.0	8.2	14.8	15	20.3	36.1
NSS04R02	4	10.5	R 1/4	18.4	40.3	46.6	17.8	9.2	11.0	14.8	15	20.3	36.1
NSS06R01	6	12.5	R 1/8	15.6	35.5	40.7	15.0	7.0	8.2	16.4	11	24.0	21.1
NSS06R02	6	12.5	R 1/4	18.4	40.3	46.6	20.3	9.2	11.0	16.4	15	25.9	38.7
NSS06R03	6	12.5	R 3/8	21.9	46.9	54.9	23.3	11.5	12.2	16.4	19	25.9	70.2
NSS08R01	8	14.8	R 1/8	15.6	35.5	40.7	16.2	7.0	8.2	18.3	11	24.9	22.1
NSS08R02	8	14.8	R 1/4	18.4	40.3	46.6	19.3	9.2	11.0	18.3	15	28.3	39.8
NSS08R03	8	14.8	R 3/8	22.4	46.9	54.9	24.6	11.5	12.2	18.3	19	29.3	71.4
NSS08R04	8	14.8	R 1/2	26.6	54.0	60.1	26.6	14.3	16.5	18.3	24	29.3	110.0
NSS10R02	10	17.5	R 1/4	18.4	40.3	46.6	20.3	9.2	11.0	20.2	15	30.7	42.2
NSS10R03	10	17.5	R 3/8	22.4	46.9	54.9	24.6	11.5	12.2	20.2	19	31.7	73.5
NSS10R04	10	17.5	R 1/2	26.7	54.0	60.1	26.7	14.3	16.5	20.2	24	33.1	112.5
NSS12R02	12	20.5	R 1/4	18.4	40.3	46.6	21.8	9.2	11.0	22.9	15	33.4	44.1
NSS12R03	12	20.5	R 3/8	22.4	46.9	54.9	24.6	11.5	12.2	22.9	19	34.4	79.0
NSS12R04	12	20.5	R 1/2	26.7	54.0	60.1	26.7	14.3	16.5	22.9	24	35.8	115.9

NSS-R-IN

Regolatore di flusso a banjo girevole conico BSPT per valvole con regolazione manuale

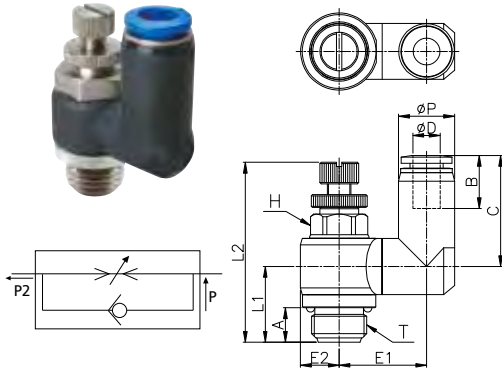


CODE	ØD	ØP	T	L1	L2 MIN	L2 MAX	E1	E2	A	B	H	C	GR.
NSS04R01-IN	4	10.5	R 1/8	15.1	35.5	40.7	14.3	7.0	8.2	14.8	15	20.3	36.1
NSS04R02-IN	4	10.5	R 1/4	18.4	40.3	46.6	17.8	9.2	11.0	14.8	15	20.3	36.1
NSS06R01-IN	6	12.5	R 1/8	15.6	35.5	40.7	15.0	7.0	8.2	16.4	11	24.0	21.1
NSS06R02-IN	6	12.5	R 1/4	18.4	40.3	46.6	20.3	9.2	11.0	16.4	15	25.9	38.7
NSS06R03-IN	6	12.5	R 3/8	21.9	46.9	54.9	23.3	11.5	12.2	16.4	19	25.9	70.2
NSS08R01-IN	8	14.8	R 1/8	15.6	35.5	40.7	16.2	7.0	8.2	18.3	11	24.9	22.1
NSS08R02-IN	8	14.8	R 1/4	18.4	40.3	46.6	19.3	9.2	11.0	18.3	15	28.3	39.8
NSS08R03-IN	8	14.8	R 3/8	22.4	46.9	54.9	24.6	11.5	12.2	18.3	19	29.3	71.4
NSS08R04-IN	8	14.8	R 1/2	26.6	54.0	60.1	26.6	14.3	16.5	18.3	24	29.3	110.0
NSS10R02-IN	10	17.5	R 1/4	18.4	40.3	46.6	20.3	9.2	11.0	20.2	15	30.7	42.2
NSS10R03-IN	10	17.5	R 3/8	22.4	46.9	54.9	24.6	11.5	12.2	20.2	19	31.7	73.5
NSS10R04-IN	10	17.5	R 1/2	26.7	54.0	60.1	26.7	14.3	16.5	20.2	24	33.1	112.5
NSS12R02-IN	12	20.5	R 1/4	18.4	40.3	46.6	21.8	9.2	11.0	22.9	15	33.4	44.1
NSS12R03-IN	12	20.5	R 3/8	22.4	46.9	54.9	24.6	11.5	12.2	22.9	19	34.4	79.0
NSS12R04-IN	12	20.5	R 1/2	26.7	54.0	60.1	26.7	14.3	16.5	22.9	24	35.8	115.9



NSS-G

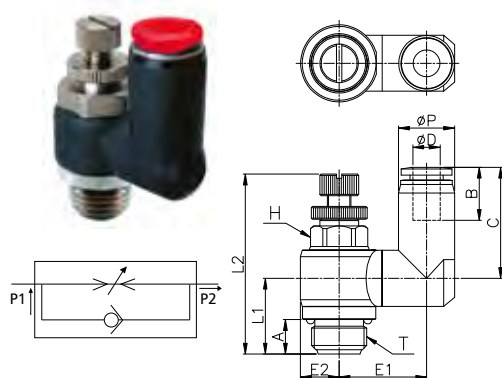
Regolatore di flusso a banco girevole cilindrico BSPP & metrico per cilindri con regolazione manuale



CODE	ØD	ØP	T	L1	L2 MIN	L2 MAX	E1	E2	A	B	H	C	GR.
NSS04M5	4	10.5	M5X0.8P	9.6	27.1	29.1	12.3	5.2	3.6	14.8	8	20.3	9.2
NSS04G01	4	10.5	G 1/8	15.3	34.6	39.8	14.3	7.0	6.0	14.8	8	20.3	9.2
NSS04G02	4	10.5	G 1/4	17.7	39.8	46.1	17.8	9.2	8.0	14.8	12	20.2	19.4
NSS06M5	6	12.5	M5X0.8P	9.6	27.1	29.1	13.3	5.2	3.6	16.4	8	22.4	10.2
NSS06G01	6	12.5	G 1/8	14.7	34.6	39.8	15.0	7.0	6.0	16.4	8	24.0	21.1
NSS06G02	6	12.5	G 1/4	17.6	39.8	46.1	20.3	9.2	8.0	16.4	12	25.9	38.7
NSS06G03	6	12.5	G 3/8	21.4	47.7	54.9	23.3	11.5	8.0	16.4	14	25.9	70.2
NSS08G01	8	14.8	G 1/8	14.7	34.6	39.8	16.2	7.0	6.0	18.3	8	24.9	22.1
NSS08G02	8	14.8	G 1/4	17.6	39.8	46.1	19.3	9.2	8.0	18.3	12	28.3	39.8
NSS08G03	8	14.8	G 3/8	20.8	47.7	54.9	24.6	11.5	8.0	18.3	14	29.3	71.4
NSS08G04	8	14.8	G 1/2	23.0	54.0	60.1	26.6	14.3	9.0	18.3	17	29.3	110.0
NSS10G02	10	17.5	G 1/4	17.6	39.8	46.1	20.3	9.2	8.0	20.2	12	30.7	42.2
NSS10G03	10	17.5	G 3/8	20.8	47.7	54.9	24.6	11.5	8.0	20.2	14	31.7	73.5
NSS10G04	10	17.5	G 1/2	22.9	54.0	60.1	26.7	14.3	9.0	20.2	17	33.1	112.5
NSS12G02	12	20.5	G 1/4	17.6	39.8	46.1	21.8	9.2	8.0	22.9	12	33.4	44.1
NSS12G03	12	20.5	G 3/8	20.8	47.7	54.9	24.6	11.5	8.0	22.9	14	34.4	79.0
NSS12G04	12	20.5	G 1/2	22.9	54.0	60.1	26.7	14.3	9.0	22.9	17	35.8	115.9

NSS-G-IN

Regolatore di flusso a banco girevole cilindrico BSPP & metrico per valvole con regolazione manuale

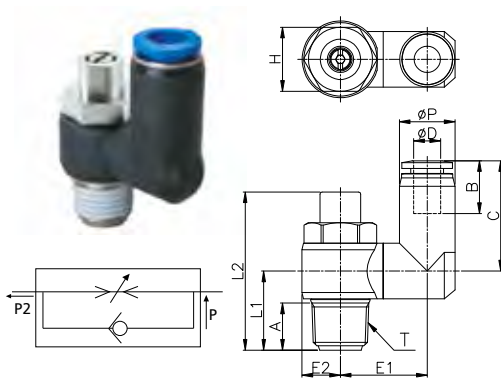


CODE	ØD	ØP	T	L1	L2 MIN	L2 MAX	E1	E2	A	B	H	C	GR.
NSS04M5-IN	4	10.5	M5X0.8P	9.6	27.1	29.1	12.3	5.2	3.6	14.8	8	20.3	9.2
NSS04G01-IN	4	10.5	G 1/8	15.3	34.6	39.8	14.3	7.0	6.0	14.8	8	20.3	9.2
NSS04G02-IN	4	10.5	G 1/4	17.7	39.8	46.1	17.8	9.2	8.0	14.8	12	20.2	19.4
NSS06M5-IN	6	12.5	M5X0.8P	9.6	27.1	29.1	13.3	5.2	3.6	16.4	8	22.4	10.2
NSS06G01-IN	6	12.5	G 1/8	14.7	34.6	39.8	15.0	7.0	6.0	16.4	8	24.0	21.1
NSS06G02-IN	6	12.5	G 1/4	17.6	39.8	46.1	20.3	9.2	8.0	16.4	12	25.9	38.7
NSS06G03-IN	6	12.5	G 3/8	21.4	47.7	54.9	23.3	11.5	8.0	16.4	14	25.9	70.2
NSS08G01-IN	8	14.8	G 1/8	14.7	34.6	39.8	16.2	7.0	6.0	18.3	8	24.9	22.1
NSS08G02-IN	8	14.8	G 1/4	17.6	39.8	46.1	19.3	9.2	8.0	18.3	12	28.3	39.8
NSS08G03-IN	8	14.8	G 3/8	20.8	47.7	54.9	24.6	11.5	8.0	18.3	14	29.3	71.4
NSS08G04-IN	8	14.8	G 1/2	23.0	54.0	60.1	26.6	14.3	9.0	18.3	17	29.3	110.0
NSS10G02-IN	10	17.5	G 1/4	17.6	39.8	46.1	20.3	9.2	8.0	20.2	12	30.7	42.2
NSS10G03-IN	10	17.5	G 3/8	20.8	47.7	54.9	24.6	11.5	8.0	20.2	14	31.7	73.5
NSS10G04-IN	10	17.5	G 1/2	22.9	54.0	60.1	26.7	14.3	9.0	20.2	17	33.1	112.5
NSS12G02-IN	12	20.5	G 1/4	17.6	39.8	46.1	21.8	9.2	8.0	22.9	12	33.4	44.1
NSS12G03-IN	12	20.5	G 3/8	20.8	47.7	54.9	24.6	11.5	8.0	22.9	14	34.4	79.0
NSS12G04-IN	12	20.5	G 1/2	22.9	54.0	60.1	26.7	14.3	9.0	22.9	17	35.8	115.9



NSS-R-DC

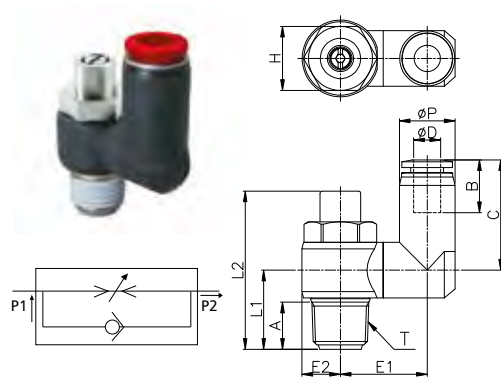
Regolatore di flusso a banjo girevole conico BSPT per cilindri con regolazione a vite a scomparsa



CODE	ØD	ØP	T	L1	L2 MIN	L2 MAX	E1	E2	A	B	H	C	GR.
NSS-04R01-DC	4	10.5	R1/8	15.1	31.5	14.3	7.0	8.2	14.8	11	20.3	16.0	19,4
NSS-04R02-DC	4	10.5	R1/4	18.4	37.0	17.8	9.2	11.0	14.8	15	20.3	35.0	36,1
NSS-06R01-DC	6	12.5	R1/8	15.6	31.5	15.0	7.0	8.2	16.4	11	24.0	18.0	21,1
NSS-06R02-DC	6	12.5	R1/4	18.4	37.0	20.3	9.2	11.0	16.4	15	25.9	33.0	38,7
NSS-06R03-DC	6	12.5	R3/8	21.9	43.3	23.3	11.5	12.2	16.4	19	25.9	63.0	70,2
NSS-08R01-DC	8	14.8	R1/8	15.6	31.5	16.2	7.0	8.2	18.3	11	24.9	20.0	22,1
NSS-08R02-DC	8	14.8	R1/4	18.4	37.0	19.3	9.2	11.0	18.3	15	28.3	34.0	39,8
NSS-08R03-DC	8	14.8	R3/8	22.4	43.3	24.6	11.5	12.2	18.3	19	29.3	64.0	71,4
NSS-08R04-DC	8	14.8	R1/2	26.6	50.2	26.6	14.3	16.5	18.3	24	29.3	100.0	110,0
NSS-10R02-DC	10	17.5	R1/4	18.4	37.0	20.3	9.2	11.0	20.2	15	30.7	38.0	42,2
NSS-10R03-DC	10	17.5	R3/8	22.4	43.3	24.6	11.5	12.2	20.2	19	31.7	63.0	73,5
NSS-10R04-DC	10	17.5	R1/2	26.7	50.2	26.7	14.3	16.5	20.2	24	33.1	103.0	112,5
NSS-12R02-DC	12	20.5	R1/4	18.4	37.0	21.8	9.2	11.0	22.9	15	33.4	42.0	44,1
NSS-12R03-DC	12	20.5	R3/8	22.4	43.3	24.6	11.5	12.2	22.9	19	34.4	65.0	79,0
NSS-12R04-DC	12	20.5	R1/2	26.7	50.2	26.7	14.3	16.5	22.9	24	35.8	104.0	115,9

NSS-R-DC-IN

Regolatore di flusso a banjo girevole conico BSPT per valvole con regolazione a vite a scomparsa

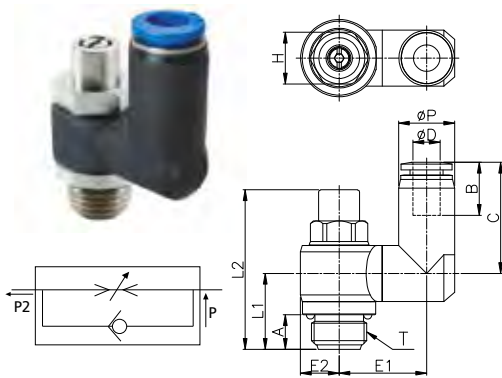


CODE	ØD	ØP	T	L1	L2 MIN	L2 MAX	E1	E2	A	B	H	C	GR.
NSS-04R01-DC-IN	4	10.5	R1/8	15.1	31.5	14.3	7.0	8.2	14.8	11	20.3	16.0	19,4
NSS-04R02-DC-IN	4	10.5	R1/4	18.4	37.0	17.8	9.2	11.0	14.8	15	20.3	35.0	36,1
NSS-06R01-DC-IN	6	12.5	R1/8	15.6	31.5	15.0	7.0	8.2	16.4	11	24.0	18.0	21,1
NSS-06R02-DC-IN	6	12.5	R1/4	18.4	37.0	20.3	9.2	11.0	16.4	15	25.9	33.0	38,7
NSS-06R03-DC-IN	6	12.5	R3/8	21.9	43.3	23.3	11.5	12.2	16.4	19	25.9	63.0	70,2
NSS-08R01-DC-IN	8	14.8	R1/8	15.6	31.5	16.2	7.0	8.2	18.3	11	24.9	20.0	22,1
NSS-08R02-DC-IN	8	14.8	R1/4	18.4	37.0	19.3	9.2	11.0	18.3	15	28.3	34.0	39,8
NSS-08R03-DC-IN	8	14.8	R3/8	22.4	43.3	24.6	11.5	12.2	18.3	19	29.3	64.0	71,4
NSS-08R04-DC-IN	8	14.8	R1/2	26.6	50.2	26.6	14.3	16.5	18.3	24	29.3	100.0	110,0
NSS-10R02-DC-IN	10	17.5	R1/4	18.4	37.0	20.3	9.2	11.0	20.2	15	30.7	38.0	42,2
NSS-10R03-DC-IN	10	17.5	R3/8	22.4	43.3	24.6	11.5	12.2	20.2	19	31.7	63.0	73,5
NSS-10R04-DC-IN	10	17.5	R1/2	26.7	50.2	26.7	14.3	16.5	20.2	24	33.1	103.0	112,5
NSS-12R02-DC-IN	12	20.5	R1/4	18.4	37.0	21.8	9.2	11.0	22.9	15	33.4	42.0	44,1
NSS-12R03-DC-IN	12	20.5	R3/8	22.4	43.3	24.6	11.5	12.2	22.9	19	34.4	65.0	79,0
NSS-12R04-DC-IN	12	20.5	R1/2	26.7	50.2	26.7	14.3	16.5	22.9	24	35.8	104.0	115,9



NSS-G-DC

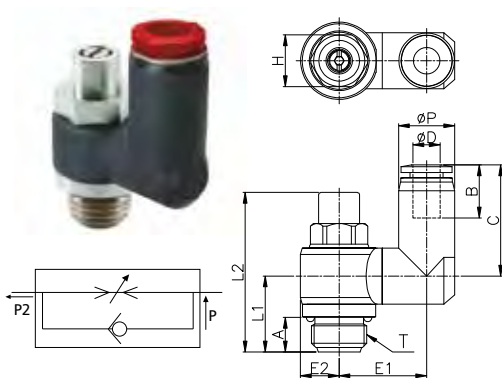
Regolatore di flusso a banjo girevole cilindrico BSPP per cilindri con regolazione a vite a scomparsa



CODE	ØD	ØP	T	L1	L2 MIN	L2 MAX	E1	E2	A	B	H	C	GR.
NSS-04M5-DC	4	10.5	M5X0.8P	9.6	23.2	12.3	5.2	3.6	14.8	8	20.3	7.0	
NSS-04G01-DC	4	10.5	G 1/8	15.3	31.5	14.3	7.0	6.0	14.8	12	20.2	35.0	
NSS-04G02-DC	4	10.5	G 1/4	17.7	37.0	17.8	9.2	8.0	14.8	12	20.2	35.0	
NSS-06M5-DC	6	12.5	M5X0.8P	9.6	23.2	13.3	5.2	3.6	16.4	8	22.4	9.0	
NSS-06G01-DC	6	12.5	G 1/8	14.7	31.5	15.0	7.0	6.0	16.4	8	24.0	18.0	
NSS-06G02-DC	6	12.5	G 1/4	17.6	37.0	20.3	9.2	8.0	16.4	12	25.9	33.0	
NSS-06G03-DC	6	12.5	G 3/8	21.4	43.6	23.3	11.5	8.0	16.4	14	25.9	63.0	
NSS-08G01-DC	8	14.8	G 1/8	14.7	31.5	16.2	7.0	6.0	18.3	8	24.9	20.0	
NSS-08G02-DC	8	14.8	G 1/4	17.6	37.0	19.3	9.2	8.0	18.3	12	28.3	34.0	
NSS-08G03-DC	8	14.8	G 3/8	20.8	43.6	24.6	11.5	8.0	18.3	14	29.3	64.0	
NSS-08G04-DC	8	14.8	G 1/2	23.0	50.0	26.6	14.3	9.0	18.3	17	29.3	100.0	
NSS-10G02-DC	10	17.5	G 1/4	17.6	37.0	20.3	9.2	8.0	20.2	12	30.7	38.0	
NSS-10G03-DC	10	17.5	G 3/8	20.8	43.6	24.6	11.5	8.0	20.2	14	31.7	63.0	
NSS-10G04-DC	10	17.5	G 1/2	22.9	50.0	26.7	14.3	9.0	20.2	17	33.1	103.0	
NSS-12G02-DC	12	20.5	G 1/4	17.6	37.0	21.8	9.2	8.0	22.9	12	33.4	42.0	
NSS-12G03-DC	12	20.5	G 3/8	20.8	43.6	24.6	11.5	8.0	22.9	14	34.4	65.0	
NSS-12G04-DC	12	20.5	G 1/2	22.9	50.0	26.7	14.3	9.0	22.9	17	35.8	104.0	

NSS-G-DC-IN

Regolatore di flusso a banjo girevole cilindrico BSPP per valvole con regolazione a vite a scomparsa

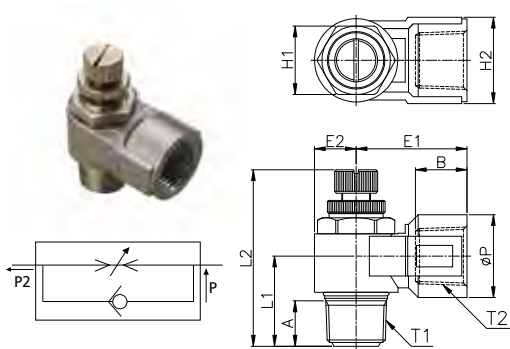


CODE	ØD	ØP	T	L1	L2 MIN	L2 MAX	E1	E2	A	B	H	C	GR.
NSS-04M5-DC-IN	4	10.5	M5X0.8P	9.6	23.2	12.3	5.2	3.6	14.8	8	20.3	7.0	
NSS-04G01-DC-IN	4	10.5	G 1/8	15.3	31.5	14.3	7.0	6.0	14.8	12	20.2	35.0	
NSS-04G02-DC-IN	4	10.5	G 1/4	17.7	37.0	17.8	9.2	8.0	14.8	12	20.2	35.0	
NSS-06M5-DC-IN	6	12.5	M5X0.8P	9.6	23.2	13.3	5.2	3.6	16.4	8	22.4	9.0	
NSS-06G01-DC-IN	6	12.5	G 1/8	14.7	31.5	15.0	7.0	6.0	16.4	8	24.0	18.0	
NSS-06G02-DC-IN	6	12.5	G 1/4	17.6	37.0	20.3	9.2	8.0	16.4	12	25.9	33.0	
NSS-06G03-DC-IN	6	12.5	G 3/8	21.4	43.6	23.3	11.5	8.0	16.4	14	25.9	63.0	
NSS-08G01-DC-IN	8	14.8	G 1/8	14.7	31.5	16.2	7.0	6.0	18.3	8	24.9	20.0	
NSS-08G02-DC-IN	8	14.8	G 1/4	17.6	37.0	19.3	9.2	8.0	18.3	12	28.3	34.0	
NSS-08G03-DC-IN	8	14.8	G 3/8	20.8	43.6	24.6	11.5	8.0	18.3	14	29.3	64.0	
NSS-08G04-DC-IN	8	14.8	G 1/2	23.0	50.0	26.6	14.3	9.0	18.3	17	29.3	100.0	
NSS-10G02-DC-IN	10	17.5	G 1/4	17.6	37.0	20.3	9.2	8.0	20.2	12	30.7	38.0	
NSS-10G03-DC-IN	10	17.5	G 3/8	20.8	43.6	24.6	11.5	8.0	20.2	14	31.7	63.0	
NSS-10G04-DC-IN	10	17.5	G 1/2	22.9	50.0	26.7	14.3	9.0	20.2	17	33.1	103.0	
NSS-12G02-DC-IN	12	20.5	G 1/4	17.6	37.0	21.8	9.2	8.0	22.9	12	33.4	42.0	
NSS-12G03-DC-IN	12	20.5	G 3/8	20.8	43.6	24.6	11.5	8.0	22.9	14	34.4	65.0	
NSS-12G04-DC-IN	12	20.5	G 1/2	22.9	50.0	26.7	14.3	9.0	22.9	17	35.8	104.0	



NSCF

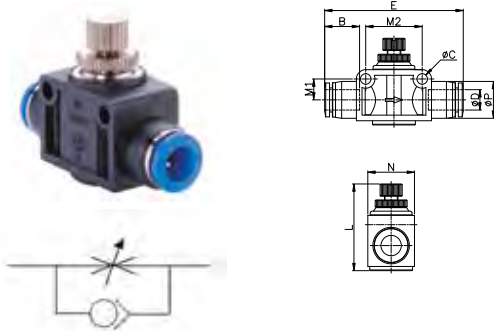
Regolatore di flusso in ottone a banjo conico BSPT con regolazione manuale



CODE	$\varnothing P$	T1	A	T2	B	L1	L2 MIN	L2 MAX	E1	E2	H1	H2	GR.
NSCF-R01	14.5	R 1/8	7.6	RC 1/8	10.0	16.0	35.5	40.7	18.2	7.3	12	15	30.1
NSCF-R02	18.0	R 1/4	10.6	RC 1/4	13.0	21.1	40.3	46.6	26.5	9.5	15	19	60.2
NSCF-R03	23.0	R 3/8	12.6	RC 3/8	14.5	25.0	46.9	54.9	30.8	11.6	19	24	107.0
NSCF-R04	26.5	R 1/2	14.5	RC 1/2	19.0	29.1	54.0	60.1	38.7	14.0	24	28	170.1

NSF

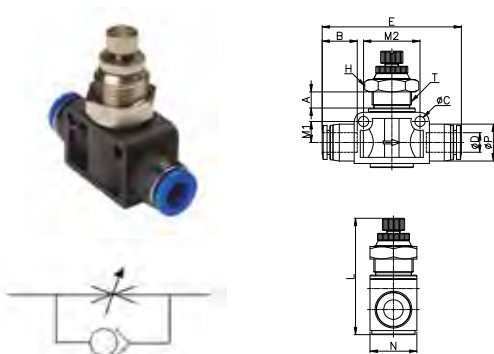
Regolatore di flusso in linea in tecnopolimero con regolazione manuale



CODE	$\varnothing D$	$\varnothing P$	L MIN	L MAX	E	N	$\varnothing C$	B	M1	M2	GR.
NSF04N	4	10.5	26.4	28.9	42.0	12.0	3.2	14.8	5.4	15.4	13.0
NSF06N	6	12.5	33.5	37.9	49.5	16.0	4.3	16.4	7.8	20.4	28.0
NSF08N	8	14.8	35.5	41.5	56.5	19.0	4.3	18.3	8.5	23.0	45.0
NSF10N	10	17.5	40.7	48.7	63.1	23.0	4.3	20.2	10.6	27.6	84.0
NSF12N	12	20.5	45.0	53.5	73.5	26.5	4.4	22.9	11.9	32.4	123.0

NSFB

Regolatore di flusso in linea passaparete in tecnopolimero con regolazione manuale

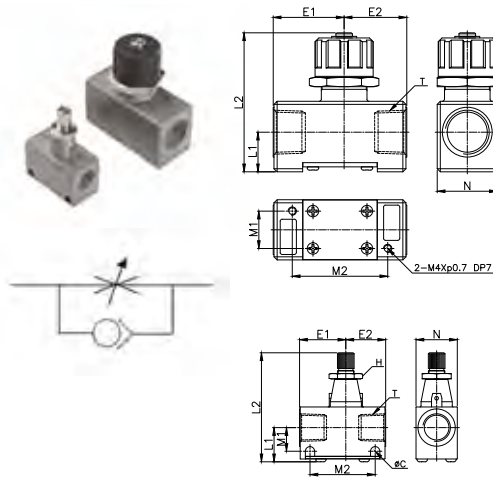


CODE	$\varnothing D$	$\varnothing P$	T	L MIN	L MAX	A	E	N	$\varnothing C$	B	H	M1	M2	GR.
NSFB04N	4	11.0	M10X1.0	35.3	37.9	5.0	42.0	12.0	3.2	14.8	12	5.4	15.4	18.0
NSFB06N	6	13.0	M14X1.0	43.1	48.4	6.0	49.5	16.0	4.3	16.4	17	7.8	20.4	37.0
NSFB08N	8	15.0	M16X1.0	46.7	53.1	6.0	56.5	19.0	4.3	18.3	19	8.5	23.0	67.0
NSFB10N	10	17.5	M18X1.0	53.4	61.7	7.0	63.1	23.0	4.3	20.2	22	10.6	27.6	110.0
NSFB12N	12	20.5	M20X1.0	57.4	64.6	7.0	73.5	26.5	4.4	22.9	24	11.9	32.4	151.0



NSFF

Regolatore di flusso in linea in alluminio con regolazione a pomello

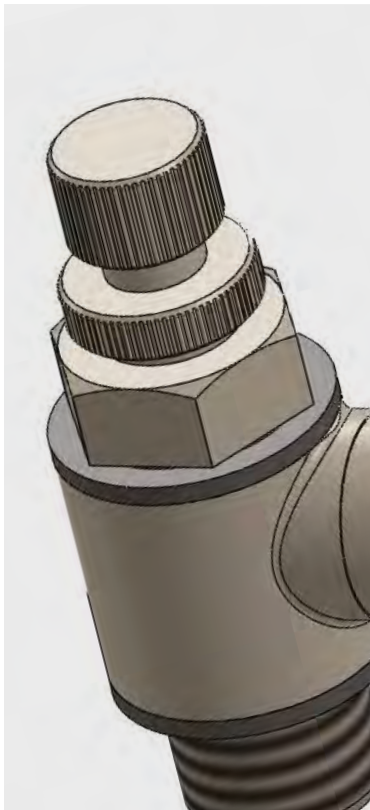


CODE	T	L1	L2 MIN	L2 MAX	E1	E2	N	ØC	H	M1	M2	GR.
NSFF-R01	R1/8	15.5	49.8	54.8	22.2	16.1	16.0	4.5	12	10.1	28.8	84.9
NSFF-R02	R1/4	17.1	52.5	57.7	22.3	19.2	19.9	4.5	12	11.4	31.4	116.9
NSFF-R03	R3/8	20.5	62.1	69.7	31.3	24.7	26.0	5.4	12	13.1	45.2	118.8
NSFF-R04	R1/2	19.1	67.4	77.0	34.2	30.2	29.0	-	29	18.0	46.0	176.9









-20°C ÷ 70°C



Da Ø4 a Ø8mm
15 Bar fino a 50°C & 10 Bar >50°C
Da Ø10 a Ø12mm
10 Bar fino a 50°C & 6 Bar >50°C



Aria Compressa



Manuale e cacciavite



Cilindrica gas BSPP ISO 228
da G1/8" a G1/2"
Metrica ISO 262 M5



PA, PU



Corpo: ottone nichelato
UNI EN 12164 CW614W

Pinza: acciaio inox AISI 316

Guarnizione: NBR senza silicene



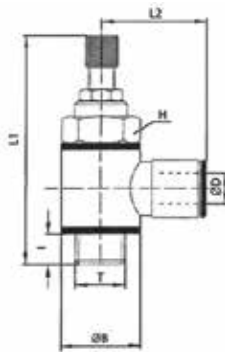
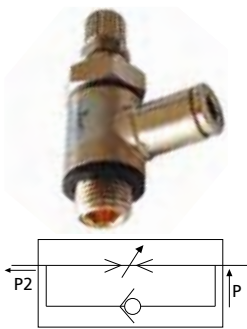
Prodotti conformi alla
direttiva 2002/95/EC

RoHS2

Prodotti conformi alla
direttiva 2011/65/EU

OTSC-G

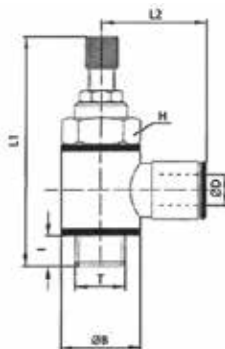
Regolatore di flusso manuale girevole, cilindrico BSPP per cilindri



CODE	ØD	T	I	ØB	L1	L2	H	NL/MIN	GR.
OTSC04G01	4	G1/8"	5	14	49	20,5	14	310	36
OTSC06G01	6	G1/8"	5	14	49	23	14	390	38
OTSC06G02	6	G1/4"	6	18	56,5	24	17	710	65
OTSC08G01	8	G1/8"	5	14	49	24,5	14	390	39
OTSC08G02	8	G1/4"	6	18	56,5	26	17	810	66
OTSC10G02	10	G1/4"	6	18	56,5	27	17	810	69
OTSC12G02	12	G1/4"	6	18	56,5	28	17	810	70

OTSC-G-IN

Regolatore di flusso manuale girevole, cilindrico BSPP per valvole

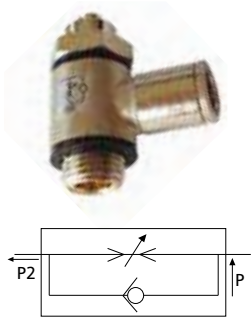


CODE	ØD	T	I	ØB	L1	L2	H	NL/MIN	GR.
OTSC04G01IN	4	G1/8"	5	14	49	20,5	14	310	36
OTSC06G01IN	6	G1/8"	5	14	49	23	14	390	38
OTSC06G02IN	6	G1/4"	6	18	56,5	24	17	710	65
OTSC08G01IN	8	G1/8"	5	14	49	24,5	14	390	39
OTSC08G02IN	8	G1/4"	6	18	56,5	26	17	810	66
OTSC10G02IN	10	G1/4"	6	18	56,5	27	17	810	69
OTSC12G02IN	12	G1/4"	6	18	56,5	28	17	810	70



OTSC-G-D

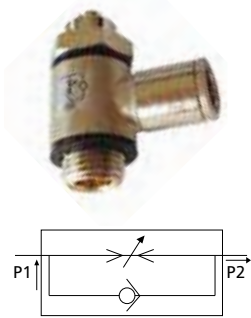
Regolatore di flusso a cacciavite orientabile cilindrico BSPP & metrico per cilindri



CODE	ØD	T	I	ØB	L1	L2	H	NL/MIN	GR.
OTSC04M5D	4	M5	4	9	25	18	8	45	14
OTSC04G01D	4	G1/8"	5	14	32	20,5	14	310	31
OTSC06M5D	6	M5	4	9	25	19,5	8	45	15,5
OTSC06G01D	6	G1/8"	5	14	32	23	14	390	33
OTSC06G02D	6	G1/4"	6	18	37	24	17	710	55
OTSC08G01D	8	G1/8"	5	14	32	24,5	14	390	34
OTSC08G02D	8	G1/4"	6	18	37	26	17	810	56
OTSC08G03D	8	G3/8"	6,5	21	46,5	27	20	1050	87
OTSC10G02D	10	G1/4"	6	18	37	27	17	810	58,5
OTSC10G03D	10	G3/8"	6,5	21	46,5	28	20	1050	88
OTSC12G02D	12	G1/4"	6	18	37	28	17	810	59
OTSC12G03D	12	G3/8"	6,5	21	46,5	29	20	1050	89

OTSC-G-D-IN

Regolatore di flusso a cacciavite orientabile cilindrico BSPP & metrico per valvole



CODE	ØD	T	I	ØB	L1	L2	H	NL/MIN	GR.
OTSC04M5DIN	4	M5	4	9	25	18	8	45	14
OTSC04G01DIN	4	G1/8"	5	14	32	20,5	14	310	31
OTSC06M5DIN	6	M5	4	9	25	19,5	8	45	15,5
OTSC06G01DIN	6	G1/8"	5	14	32	23	14	390	33
OTSC06G02DIN	6	G1/4"	6	18	37	24	17	710	55
OTSC08G01DIN	8	G1/8"	5	14	32	24,5	14	390	34
OTSC08G02DIN	8	G1/4"	6	18	37	26	17	810	56
OTSC08G03DIN	8	G3/8"	6,5	21	46,5	27	20	1050	87
OTSC10G02DIN	10	G1/4"	6	18	37	27	17	810	58,5
OTSC10G03DIN	10	G3/8"	6,5	21	46,5	28	20	1050	88
OTSC12G02DIN	12	G1/4"	6	18	37	28	17	810	59
OTSC12G03DIN	12	G3/8"	6,5	21	46,5	29	20	1050	89

OTSC-G-D-B

Regolatore di flusso a cacciavite orientabile cilindrico BSPP & metrico bidirezionale

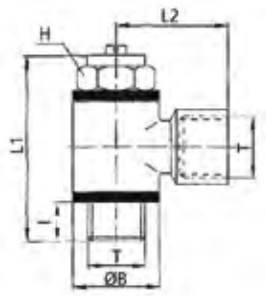
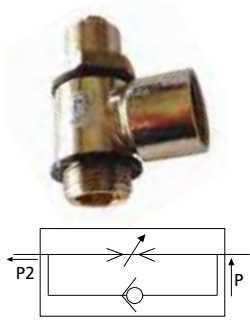


CODE	ØD	T	I	ØB	L1	L2	H	NL/MIN	GR.
OTSC04M5DB	4	M5	4	9	25	18	8	45	14
OTSC04G01DB	4	G1/8"	5	14	32	20,5	14	310	31
OTSC06M5DB	6	M5	4	9	25	19,5	8	45	15,5
OTSC06G01DB	6	G1/8"	5	14	32	23	14	390	33
OTSC06G02DB	6	G1/4"	6	18	37	24	17	710	55
OTSC08G01DB	8	G1/8"	5	14	32	24,5	14	390	34
OTSC08G02DB	8	G1/4"	6	18	37	26	17	810	56
OTSC08G03DB	8	G3/8"	6,5	21	46,5	27	20	1050	87
OTSC10G02DB	10	G1/4"	6	18	37	27	17	810	58,5



OTSC-G-DF

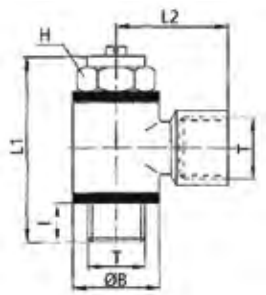
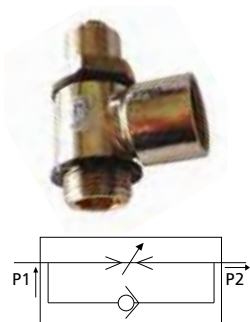
Regolatore di flusso a cacciavite femmina cilindrico BSPP & metrico per cilindri



CODE	T1	I	ØB	L1	L2	H	NL/MIN	GR.
OTSCM5DF	M5	4	9	25	11,5	8	45	10
OTSCG01DF	G1/8"	5	14	32	21	14	310	34
OTSCG02DF	G1/4"	6	18	37	25,5	17	450	64
OTSCG03DF	G3/8"	7	21	46	26	20	1040	88
OTSCG04DF	G1/2"	10	26	52,5	32	26	2200	187

OTSC-G-DF-IN

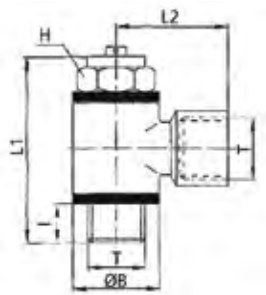
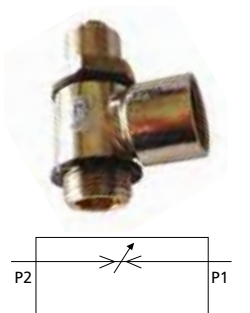
Regolatore di flusso a cacciavite femmina cilindrico BSPP & metrico per valvole



CODE	T1	I	ØB	L1	L2	H	NL/MIN	GR.
OTSCM5DFIN	M5	4	9	25	11,5	8	45	10
OTSCG01DFIN	G1/8"	5	14	32	21	14	310	34
OTSCG02DFIN	G1/4"	6	18	37	25,5	17	450	64
OTSCG03DFIN	G3/8"	7	21	46	26	20	1040	88
OTSCG04DFIN	G1/2"	10	26	52,5	32	26	2200	187

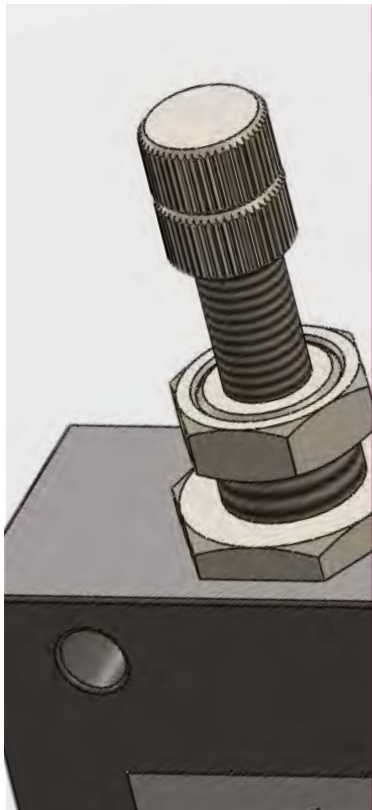
OTSC-G-DF-B

Regolatore di flusso a cacciavite femmina cilindrico BSPP & metrico bidirezionale



CODE	T1	I	ØB	L1	L2	H	NL/MIN	GR.
OTSCM5DFB	M5	4	9	25	11,5	8	45	10
OTSCG01DFB	G1/8"	5	14	32	21	14	310	34
OTSCG02DFB	G1/4"	6	18	37	25,5	17	450	64
OTSCG03DFB	G3/8"	7	21	46	26	20	1040	88
OTSCG04DFB	G1/2"	10	26	52,5	32	26	2200	187





0°C ÷ 65°C



Per ASF-U: 0.025 - 10 Bar
Per ASF-B: 0 - 10 Bar



Aria Compressa



Manuale



Femmina cilindrica gas
BSPP ISO 228
da G1/8" a G1/2"



Corpo: alluminio 11S anodizzato nero
Vite di regolazione: ottone nichelato
Guarnizione: NBR



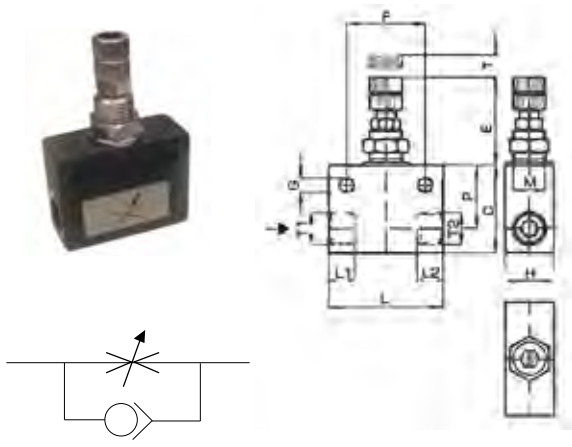
Prodotti conformi alla direttiva 2002/95/EC

RoHS2

Prodotti conformi alla direttiva 2011/65/EU

ASF-U

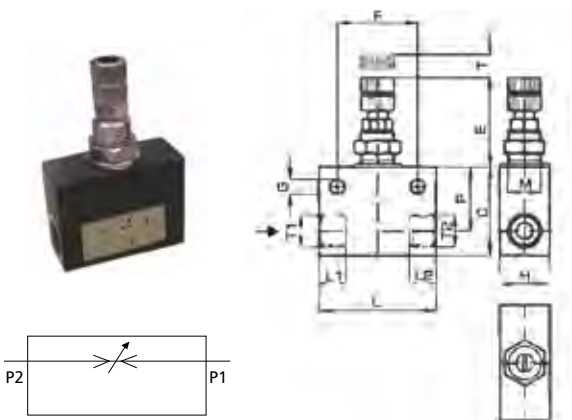
Regolatore di flusso unidirezionale filetto femmina cilindrico BSPP in alluminio



CODE	T1	T2	L	L1	L2	C	H	M	F	G	E	P	T	GR.
ASF-U01N	G1/8	G1/8	35	8,0	8,0	27	15	10X1	24	4,5	26	19,5	7,0	52,0
ASF-U02N	G1/4	G1/4	40	9,5	9,5	30	18	10X1	24	4,5	26	21,0	7,0	90,0
ASF-U03N	G3/8	G3/8	45	10,5	10,5	35	22	15X1	30	6,0	31	25,0	8,5	206,0
ASF-U04N	G1/2	G1/2	57	12,0	12,0	40	27	15X1	30	6,0	31	26,0	8,5	217,0

ASF-B

Regolatore di flusso bidirezionale filetto femmina cilindrico BSPP in alluminio



CODE	T1	T2	L	L1	L2	C	H	M	F	G	E	P	T	GR.
ASF-B01N	G1/8	G1/8	35	8,0	8,0	27	15	10X1	24	4,5	26	19,5	7,0	52,0
ASF-B02N	G1/4	G1/4	40	9,5	9,5	30	18	10X1	24	4,5	26	21,0	7,0	90,0
ASF-B03N	G3/8	G3/8	45	10,5	10,5	35	22	15X1	30	6,0	31	25,0	8,5	206,0
ASF-B04N	G1/2	G1/2	57	12,0	12,0	40	27	15X1	30	6,0	31	26,0	8,5	217,0





Aria Secca: -20°C ÷ 98°
Aria & Fluidi: 1°C ÷ 98°C
(vedi in tabella)



20 Bar - 750 mmHg (dipende dal tubo e dalla temperatura)



Acqua, bevande, vuoto, aria compressa, gas e liquidi selezionati, fluidi compatibili con i materiali costruttivi



Manuale con pomello e cacciavite



Polietilene, poliammide, poliuretano, PTFE, FEP
Tubi in metalli leggeri:
ottone, rame e acciaio dolce
Tubi in materiali duri:
contattare l'ufficio tecnico per l'utilizzo con tubi in acciaio inox e altri metalli duri



Corpo: POM
Colletto e Pinza: POM + AISI 301
Guarnizione: EPDM
Dado: ottone nichelato
Pomello: ottone nichelato
Dado di bloccaggio: ottone nichelato
Spillo : AISI 304



REACH Prodotti conformi alla direttiva 2002/95/EC

RoHS2

Prodotti conformi alla direttiva 2011/65/EU



PRESSIONE E TEMPERATURA D'ESERCIZIO

Ø / °C	-20 °C	1 °C*	25 °C*	70 °C*	98 °C*
6 mm	0 → 8 Bar Con aria secca	20 Bar	20 Bar	16 Bar	10 Bar
10 mm		16 Bar	16 Bar	14 Bar	10 Bar

CONNESSIONE DEL TUBO AL RACCORDO

- Assicurarsi che il tubo sia sempre inserito completamente fino a battuta
- Tagliare il tubo a 90° mediante l'utilizzo di un apposito cutter, inserirlo fino a battuta e tirarlo con accortezza per accertare il corretto inserimento.
- Se ci sono danni o imperfezioni sulla superficie del tubo o se lo stesso risulta ovalizzato si possono verificare delle perdite d'aria od una imprevista disconnessione. Verificare il tutto scrupolosamente.
- Il diametro esterno del tubo in poliuretano si espande in base alla pressione applicata. Pertanto il reinserimento del raccordo potrebbe non essere più possibile.
- Tagliare la parte di tubo agganciata al raccordo per poterlo riutilizzare.

DISCONNESSIONE DEL TUBO DAL RACCORDO

- Accertarsi che il tubo non sia in pressione prima di disconnettere lo stesso dal raccordo.
- Per sganciare il tubo premere l'anello di sgancio, tirare ed estrarre il tubo contemporaneamente.

INSERIMENTO TUBO

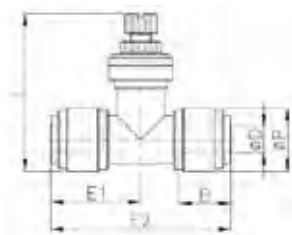
DIAMETRO TUBO Ø	Ø 6 mm	Ø 10 mm
LUNGHEZZA TUBO INSERITO (MM)	16,1	19,7

MATERIALI COSTRUTTIVI

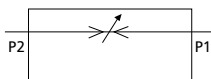


HSTU

Regolatore di flusso intermedio

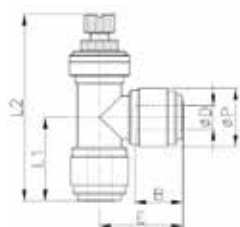


CODE	ØD	ØP	E1	E2	L-	L+	B	GR.
HSTU0606B	6	15,5	22,2	44,4	37,7	42,7	16,1	20,6
HSTU1010B	10	20,0	26,1	52,1	44,0	49,7	19,7	39,4

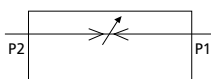


HSLU

Regolatore di flusso intermedio a gomito

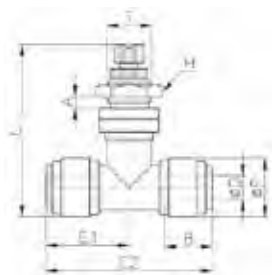


CODE	ØD	ØP	L1	L2-	L2+	E	B	GR.
HSLU0606B	6	15,5	22,2	49,6	53,6	22,2	16,1	20,3
HSLU1010B	10	20,0	25,0	59,0	64,7	26,0	19,7	39,0

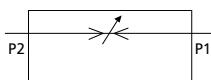


HSTB

Regolatore di flusso intermedio passaparete

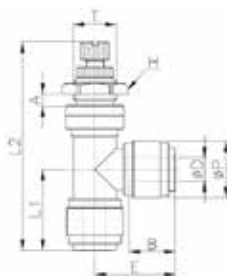


CODE	ØD	ØP	T	E1	E2	L-	L+	A	B	H	GR.
HSTB0606B	6	15,5	M12XP1	22,2	44,4	45,5	50,4	5,0	16,1	16	28,9
HSTB1010B	10	20,0	M15XP1	26,1	52,1	52,7	58,4	6,0	19,7	19	54,0

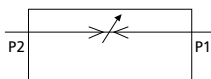


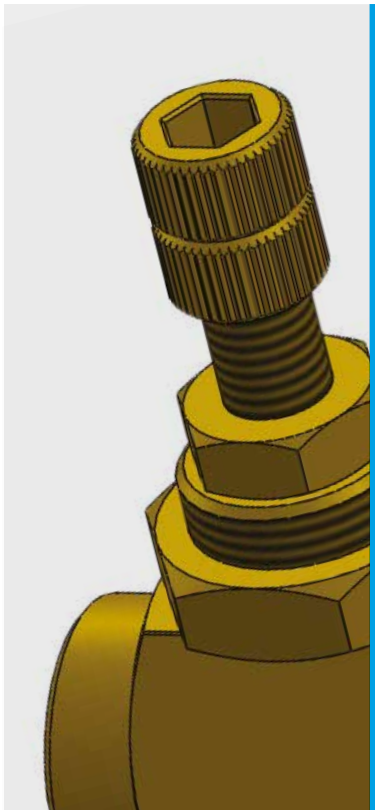
HSLB

Regolatore di flusso intermedio a gomito passaparete



CODE	ØD	ØP	T	L1	L2-	L2+	E	A	B	H	GR.
HSLB0606B	6	15,5	M12X1,0	22,2	57,1	61,3	22,2	5,0	16,1	16	28,7
HSLB1010B	10	20,0	M15X1,0	25,0	67,7	73,4	26,0	6,0	19,7	19	54,0





-10°C ÷ 110°C



10 Bar



Aria compressa, acqua potabile e fluidi compatibili con i materiali costruttivi



Manuale



Femmina cilindrica gas BSPP ISO 228 G1/4"



Corpo: ottone CW614N con direttiva DM174

Guarnizione: EPDM



Prodotti conformi alla direttiva 2002/95/EC

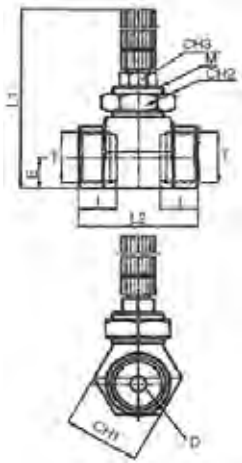
RoHS2

Prodotti conformi alla direttiva 2011/65/EU

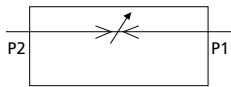


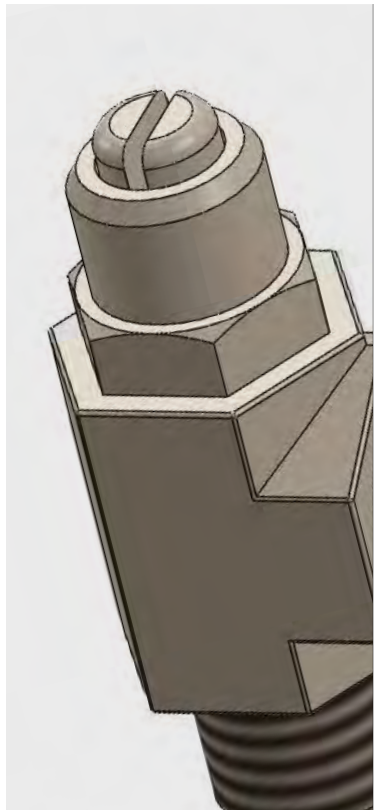
HSF-B

Regolatore di flusso bidirezionale femmina cilindrico BSPP in ottone per acqua potabile



CODE	T	M	CH1	CH2	CH3	DN	E	I	GR.
HSF-B02	G1/4"	M13X1	19	16	8	5	8	9,5	45,0





Fino a 120°C



Fino a 10 Bar



Aria compressa e fluidi compatibili con i materiali costruttivi



Cacciavite



Cilindrica gas BSPP ISO 228 con OR da G1/8" a G1/2"



Polietilene, PTFE, FEP



Corpo: Acciaio inox AISI 316

Pinza di tenuta: Acciaio inox AISI 303

Guarnizione: Viton



Prodotti conformi alla direttiva 2002/95/EC

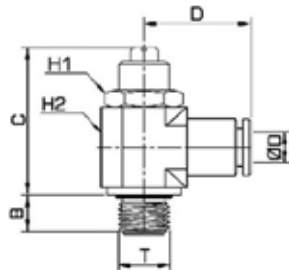
RoHS2

Prodotti conformi alla direttiva 2011/65/EU

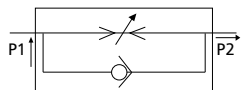


SXSC-D

Regolatore di flusso a cacciavite cilindrico BSPP per cilindri in AISI 316

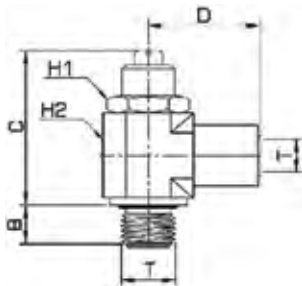


CODE	ØD	T	B	C	D	E	H1	H2	GR.
SXSC06G01-D	6	G1/8"	6	38	24	8	14,3	16	44
SXSC06G02-D	6	G1/4"	8	40	28	12	17,4	19	84
SXSC08G01-D	8	G1/8"	6	38	24	8	14,3	16	46
SXSC08G02-D	8	G1/4"	8	40	28	12	17,4	19	80
SXSC10G02-D	10	G1/4"	8	40	28	12	17,4	19	83

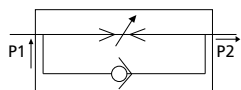


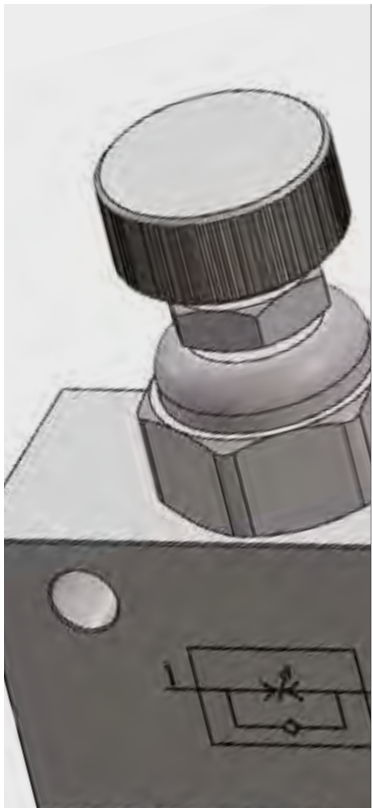
SXSC-DF

Regolatore di flusso a cacciavite femmina cilindrico BSPP per cilindri in AISI 316



CODE	T	B	C	D	E	H1	H2	GR.
SXSC01-DF	G1/8"	6	38	21	8	14,3	16	42
SXSC02-DF	G1/4"	8	40	25	12	17,4	19	87
SXSC03-DF	G3/8"	8	53	28	12	20,6	22	141
SXSC04-DF	G1/2"	10	69	31	15	24,0	28	213





Da -10°C a 120°C
per regolatori unidirezionali
Da -25°C a 120°C
per regolatori bidirezionali



Da 1 Bar a 16 Bar
per regolatori unidirezionali
Da 0 Bar a 40 Bar
per regolatori bidirezionali



Solo aria per regolatore unidirezionale. Aria e fluidi compatibili con i materiali costruttivi del regolatore bidirezionale



Manuale



Cilindrica gas BSPP ISO 228 con OR da G1/8" a G1/2"
NPT da N1/4" a N1/2"



Corpo: Acciaio inox AISI 316
Guarnizione: Viton



REACH Prodotti conformi alla direttiva 2011/65/EU

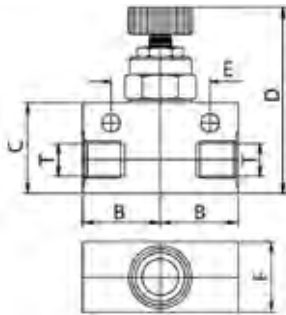
RoHS2

Prodotti conformi alla direttiva 2011/65/EU

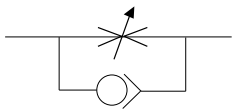


XSFC-U

Regolatore di flusso unidirezionale filetto femmina cilindrico BSPP inox AISI 316

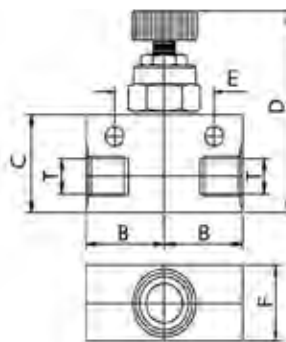


CODE	T	B	C	D	E	F	GR.
XSFC-U01	G1/8	16,0	22,0	47,0	22,0	16,0	250
XSFC-U02	G1/4	27,5	32,0	56,0	31,8	25,0	350
XSFC-U03	G3/8	27,5	32,0	56,0	31,8	25,0	485
XSFC-U04	G1/2	32,0	38,0	62,0	35,0	28,0	625

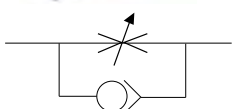


XSFC-U-N

Regolatore di flusso unidirezionale filetto femmina NPT inox AISI 316

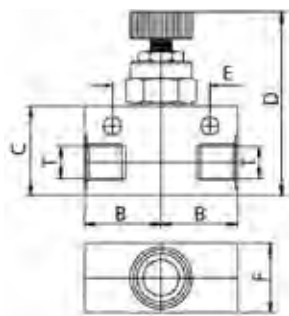


CODE	T	B	C	D	E	F	GR.
XSFC-U-N02	N1/4	27,5	32,0	56,0	31,8	25,0	350
XSFC-U-N04	N1/2	32,0	38,0	62,0	35,0	28,0	625



XSFC-B

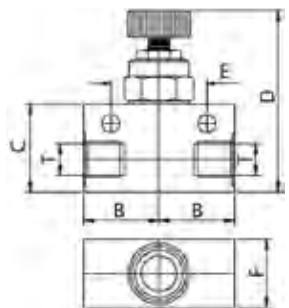
Regolatore di flusso bidirezionale filetto femmina cilindrico BSPP inox AISI 316



CODE	T	B	C	D	E	F	GR.
XSFC-B01	G1/8	16,0	22,0	47,0	22,0	16,0	250
XSFC-B02	G1/4	27,5	32,0	56,0	31,8	25,0	350
XSFC-B03	G3/8	27,5	32,0	56,0	31,8	25,0	485
XSFC-B04	G1/2	32,0	38,0	62,0	35,0	28,0	625

XSFC-B-N

Regolatore di flusso bidirezionale filetto femmina NPT inox AISI 316



CODE	T	B	C	D	E	F	GR.
XSFC-B-N02	N1/4	27,5	32,0	56,0	31,8	25,0	350
XSFC-B-N04	N1/2	32,0	38,0	62,0	35,0	28,0	625





10

1

2

GO1

14285201

14285201

14285201

14285201