

RACCORDI PORTAGOMMA NYLON

PLUS

FACILE CONNESSIONE

ADATTI PER FLUIDI ALIMENTARI

**DISPONIBILI ACCESSORI PER UNA
MAGGIOR TENUTA E SICUREZZA**

FORTE E RESISTENTE





p. 282 / **5005**



p. 282 / **5010**



p. 283 / **5020**



p. 284 / **5025**



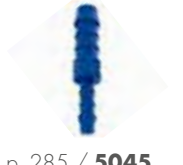
p. 284 / **5030**



p. 285 / **5035**



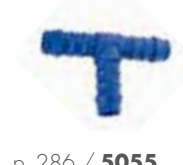
p. 285 / **5040**



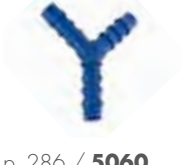
p. 285 / **5045**



p. 286 / **5050**



p. 286 / **5055**



p. 286 / **5060**



p. 287 / **5070**



p. 287 / **5007**



p. 288 / **5015**



p. 288 / **5022**



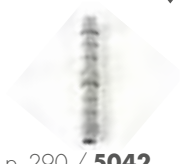
p. 289 / **5027**



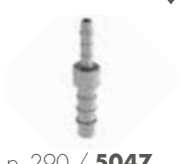
p. 289 / **5032**



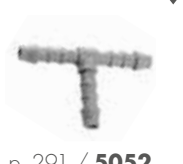
p. 290 / **5037**



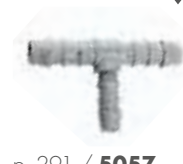
p. 290 / **5042**



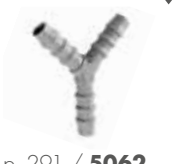
p. 290 / **5047**



p. 291 / **5052**

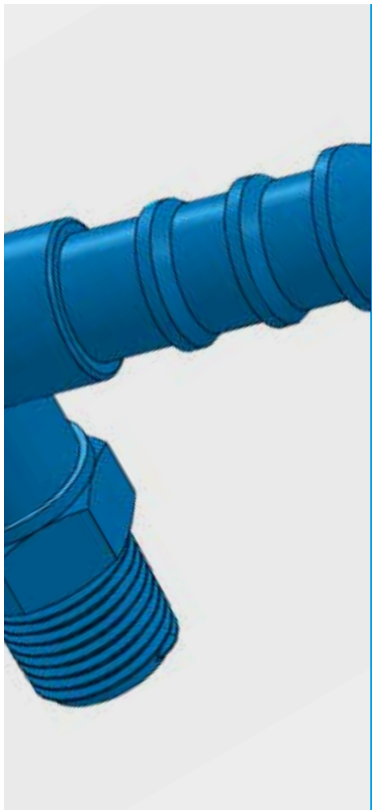


p. 291 / **5057**



p. 291 / **5062**





-20°C ÷ +110°C
a seconda dell'applicazione



Fino a 14 Bar a 20°C
a seconda del tubo utilizzato



Aria compressa, acqua e fluidi
alimentari compatibili con i materiali
costruttivi



Conica gas BSPT ISO 7
da R1/8" a R1"
NPT da N1/8" a N3/4"



Plastica, silicone, gomma e
PVC leggeri



Nylon 66

VANTAGGI

I raccordi di questa serie hanno il filetto in plastica e di conseguenza si consiglia di evitare una forza eccessiva durante l'avvitamento e di teflonare il filetto prima dell'utilizzo in modo tale da prevenire eventuali perdite.



Prodotti conformi alla
direttiva 2002/95/EC

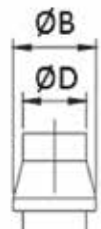
RoHS2

Prodotti conformi alla
direttiva 2011/65/EU



DIAMETRO RESCA

ØD	Ø 4 mm	Ø 5 mm	Ø 6 mm	Ø 8 mm	Ø 10 mm	Ø 12 mm	Ø 14 mm	Ø 16 mm	Ø 19 mm
ØB (mm)	5,2 mm	6,3 mm	8,0 mm	10,0 mm	12,0 mm	14,0 mm	16,2 mm	18,2 mm	21,0 mm
ØD	Ø 5/32"	3/16"	1/4"	5/16"	3/8"	1/2"	5/8"	3/4"	
ØB (mm)	5,3 mm	6,3 mm	8,0 mm	9,8 mm	12,0 mm	13,8 mm	17,5 mm	21,0 mm	



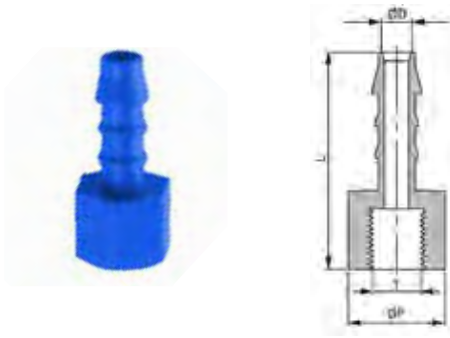
COPPIA DI SERRAGGIO CONSIGLIATA

FILETTO	NM	FT LB
1/8	0,1	0,07
1/4	0,8	0,6
3/8	4	3
1/2	6	4
3/4	8	6
1	10	7



5005

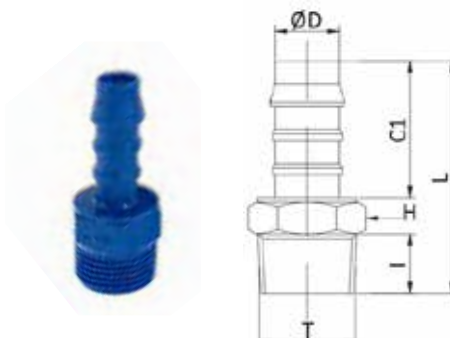
Portagomma femmina conico BSPT



CODE	T	ØD	ØP	L	GR.
5005TR185	R1/8"	5	14	34,4	2,0
5005TR145	R1/4"	5	17	35,2	2,7
5005TR385	R3/8"	5	22	36,5	4,57
5005TR125	R1/2"	5	26	38,7	6,6
5005TR186	R1/8"	6	14	36,3	2,15
5005TR146	R1/4"	6	17	37,2	2,9
5005TR386	R3/8"	6	22	38,3	4,8
5005TR126	R1/2"	6	26	40,8	7,0
5005TR188	R1/8"	8	14	39,4	2,5
5005TR388	R3/8"	8	22	40,4	5,0
5005TR128	R1/2"	8	26	42,7	7,1
5005TR1410	R1/4"	10	17	41,5	3,6
5005TR3810	R3/8"	10	22	42,3	5,4
5005TR1210	R1/2"	10	26	45,0	7,5
5005TR1412	R1/4"	12	17	42,4	4,1
5005TR3812	R3/8"	12	22	43,3	6,2
5005TR1212	R1/2"	12	26	46,0	8,0
5005TR3814	R3/8"	14	22	45,0	6,9
5005TR1214	R1/2"	14	26	47,3	8,7
5005TR1216	R1/2"	16	26	48,1	9,0
5005TR1219	R1/2"	19	26	48,8	9,5

5010

Portagomma maschio conico BSPT

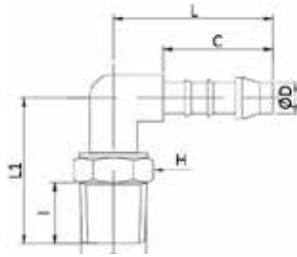


CODE	T	ØD	I	C1	L	H	GR.
5010TR184	R1/8"	4	8,0	16,0	30,5	11	1,0
5010TR144	R1/4"	4	10,0	16,0	33,5	14	1,2
5010TR185	R1/8"	5	8,0	21,0	35,5	11	1,0
5010TR145	R1/4"	5	10,0	21,0	38,5	14	1,0
5010TR125	R1/2"	5	10,0	21,0	41,4	22	1,0
5010TR186	R1/8"	6	8,0	23,0	37,5	11	1,0
5010TR146	R1/4"	6	10,0	23,0	40,5	14	2,0
5010TR386	R3/8"	6	10,0	23,0	40,5	17	3,0
5010TR126	R1/2"	6	12,5	23,0	44,0	22	6,0
5010TR346	R3/4"	6	14,5	23,0	46,0	22	8,2
5010TR188	R1/8"	8	8,0	25,0	39,5	11	2,0
5010TR148	R1/4"	8	10,0	25,0	42,5	14	2,0
5010TR388	R3/8"	8	10,0	25,0	42,5	17	3,0
5010TR128	R1/2"	8	12,5	25,0	46,0	22	6,0
5010TR348	R3/4"	8	12,5	25,0	47,1	27	6,0
5010TR1410	R1/4"	10	10,0	27,0	44,0	14	1,0
5010TR3810	R3/8"	10	10,0	27,0	44,0	17	4,0
5010TR1210	R1/2"	10	12,5	27,0	48,0	22	6,0
5010TR3410	R3/4"	10	14,5	27,0	50,0	27	9,1
5010TR1412	R1/4"	12	10,0	28,0	45,0	14	4,0
5010TR3812	R3/4"	12	10,0	28,0	45,0	17	4,0
5010TR1212	R1/2"	12	12,5	28,0	49,0	22	7,0
5010TR3412	R3/4"	12	14,5	28,0	51,0	27	9,2
5010TR3814	R3/8"	14	10,0	29,5	47,0	17	6,0
5010TR1214	R1/2"	14	12,5	29,5	50,5	22	7,0
5010TR3414	R3/4"	14	14,5	29,5	52,5	27	9,8
5010TR1216	R1/2"	16	12,5	30,0	51,0	22	8,0
5010TR3416	R3/4"	16	14,5	30,0	53,0	27	10,0
5010TR1219	R1/2"	19	12,5	31,0	52,0	22	9,0
5010TR3419	R3/4"	19	14,5	31,0	54,0	27	15,0
5010TR119	R1"	19	21,0	31,0	62,0	27	18,8



5020

Portagomma a gomito maschio conico BSPT

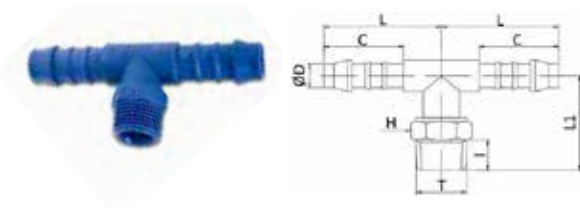


CODE	T	ØD	I	C	L	L1	H	GR.
5020TR184	R1/8"	4	8,0	16,0	22,5	21,0	11	1,0
5020TR144	R1/4"	4	10,0	16,0	22,5	24,0	14	1,0
5020TR185	R1/8"	5	8,0	21,0	28,0	24,0	11	1,0
5020TR145	R1/4"	5	10,0	21,0	28,0	26,0	14	3,0
5020TR125	R1/2"	5	13,0	21,0	28,0	30,0	22	6,0
5020TR186	R1/8"	6	8,5	23,5	31,5	23,5	11	1,0
5020TR146	R1/4"	6	10,0	23,0	31,0	26,0	14	3,0
5020TR386	R3/8"	6	10,5	23,0	31,0	26,0	17	3,0
5020TR126	R1/2"	6	13,0	23,5	31,5	30,0	22	7,0
5020TR188	R1/8"	8	8,0	25,0	36,0	26,0	11	3,0
5020TR148	R1/4"	8	10,0	25,0	36,0	28,0	14	3,0
5020TR388	R3/8"	8	10,5	25,0	36,0	28,0	17	5,0
5020TR128	R1/2"	8	13,0	25,0	36,0	30,5	22	7,0
5020TR1410	R1/4"	10	10,0	27,0	39,0	28,0	14	4,0
5020TR3810	R3/8"	10	10,5	27,0	39,0	28,0	17	6,0
5020TR1210	R1/2"	10	13,0	27,0	39,0	30,5	22	8,0
5020TR3410	R3/4"	10	14,5	27,0	39,0	33,5	27	9,9
5020TR1412	R1/4"	12	10,0	28,0	41,0	28,0	14	7,0
5020TR3812	R3/8"	12	10,5	28,0	41,0	28,0	17	8,0
5020TR1212	R1/2"	12	13,0	28,0	41,0	32,0	22	9,0
5020TR3412	R3/4"	12	14,5	28,0	41,0	34,0	27	12,0
5020TR3814	R3/8"	14	10,5	29,5	42,5	31,5	17	9,0
5020TR1214	R1/2"	14	13,0	29,5	42,5	34,0	22	11,0
5020TR3414	R3/4"	14	14,5	29,5	42,5	37,5	27	14,4
5020TR1216	R1/2"	16	12,5	30,0	44,0	36,0	22	13,0
5020TR3416	R3/4"	16	14,5	30,0	44,0	39,0	27	14,0
5020TR1219	R1/2"	19	12,5	31,0	45,0	36,0	22	15,0
5020TR3419	R3/4"	19	15,0	31,0	45,0	38,0	27	16,6



5025

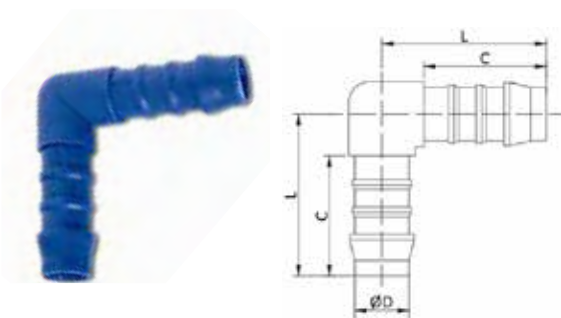
Portagomma a T maschio conico BSPT



CODE	T	ØD	I	C	L	L1	H	GR.
5025TR184	R1/8"	4	8,0	16,0	19,5	18,5	11	1,0
5025TR144	R1/4"	4	10,5	16,0	19,5	21,5	14	2,5
5025TR185	R1/8"	5	8,0	21,0	25,0	19,5	11	1,0
5025TR145	R1/4"	5	10,5	21,0	25,0	22,5	14	3,0
5025TR186	R1/8"	6	8,5	23,5	31,5	23,5	11	1,0
5025TR146	R1/4"	6	10,5	23,0	27,5	23,0	14	3,0
5025TR386	R3/8"	6	13,0	23,0	27,5	23,0	17	4,1
5025TR126	R1/2"	6	12,5	23,0	27,5	27,0	22	7,1
5025TR188	R1/8"	8	8,0	25,0	30,5	21,5	11	3,0
5025TR148	R1/4"	8	10,5	25,0	30,5	24,5	14	5,0
5025TR388	R3/8"	8	10,5	25,0	30,5	24,5	17	6,0
5025TR128	R1/2"	8	13,0	25,0	30,5	28,5	22	7,5
5025TR1410	R1/4"	10	10,0	27,0	39,0	28,0	14	6,4
5025TR3810	R3/8"	10	10,5	27,0	39,0	28,0	17	7,3
5025TR1210	R1/2"	10	12,5	27,0	39,0	30,5	22	9,6
5025TR3410	R3/4"	10	13,0	27,0	39,0	31,5	27	11,8
5025TR1412	R1/4"	12	10,0	28,0	41,0	28,0	14	15,0
5025TR3812	R3/8"	12	10,5	28,0	41,0	28,0	17	9,0
5025TR1212	R1/2"	12	13,0	28,0	41,0	31,5	22	12,6
5025TR3412	R3/4"	12	13,0	28,0	41,0	31,5	27	14,3
5025TR3814	R3/8"	14	10,5	29,5	42,5	31,5	17	12,8
5025TR1214	R1/2"	14	12,5	29,5	42,5	34,0	22	15,0
5025TR3414	R3/4"	14	13,0	30,0	42,5	35,0	27	17,9
5025TR1216	R1/2"	16	12,5	30,0	44,0	36,0	22	15,0
5025TR3416	R3/4"	16	13,5	30,0	44,0	37,0	27	18,6
5025TR1219	R1/2"	19	12,5	31,0	45,0	36,0	22	19,6
5025TR3419	R3/4"	19	13,5	31,0	45,0	36,0	27	21,6

5030

Portagomma intermedio a gomito

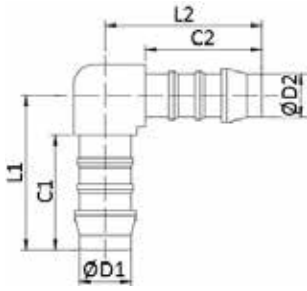


CODE	ØD	C	L	GR.
5030TR4	4	16,0	23,0	1,0
5030TR5	5	21,0	28,5	1,2
5030TR6	6	23,0	31,5	1,5
5030TR8	8	25,0	36,5	3,0
5030TR10	10	27,0	39,0	4,0
5030TR12	12	28,0	40,0	7,0
5030TR14	14	29,5	42,5	9,0
5030TR16	16	30,0	44,0	11,0
5030TR19	19	31,0	45,0	13,0



5035

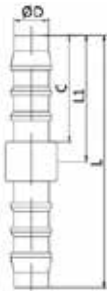
Portagomma intermedio a gomito ridotto



CODE	ØD1	ØD2	C1	L1	C2	L2	GR.
5035TR54	5	4	21,0	28,5	16,0	23,0	1,0
5035TR64	6	4	21,0	35,5	16,0	29,0	1,0
5035TR65	6	5	23,0	31,5	21,0	28,5	1,5
5035TR86	8	6	25,0	36,5	23,0	31,5	2,0
5035TR106	10	6	27,0	39,0	23,0	31,5	3,8
5035TR108	10	8	27,0	39,0	25,0	36,5	4,0
5035TR1210	12	10	28,0	40,0	27,0	39,0	7,0
5035TR1412	14	12	29,5	42,5	28,0	40,0	9,0
5035TR1614	16	14	30,0	44,0	29,5	42,5	11,0
5035TR1916	19	16	31,0	45,0	30,0	44,0	14,0

5040

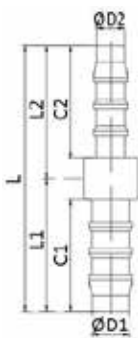
Portagomma intermedio dritto



CODE	ØD	C	L1	L	GR.
5040TR4	4	16,0	18,0	36,0	1,0
5040TR5	5	21,0	23,5	47,0	1,2
5040TR6	6	23,0	26,0	52,0	1,5
5040TR8	8	25,0	29,0	58,0	2,0
5040TR10	10	27,0	31,5	63,0	3,0
5040TR12	12	28,0	33,0	66,0	4,0
5040TR14	14	29,5	35,5	71,0	7,5
5040TR16	16	30,0	36,0	72,0	9,0
5040TR19	19	31,0	37,0	74,0	11,0

5045

Portagomma intermedio dritto ridotto



CODE	ØD1	ØD2	C1	L1	C2	L2	L	GR.
5045TR54	5	4	21,0	23,5	16,0	18,0	41,5	1,0
5045TR64	6	4	23,0	26,0	16,0	18,0	44,0	1,0
5045TR65	6	5	23,0	26,0	21,0	23,5	49,5	1,0
5045TR85	8	5	25,0	29,5	21,0	23,5	53,0	2,0
5045TR86	8	6	25,0	29,0	23,0	26,0	55,0	3,0
5045TR106	10	6	27,0	31,5	23,0	26,0	57,5	3,0
5045TR108	10	8	27,0	31,5	25,0	29,0	60,5	3,0
5045TR128	12	8	28,0	33,0	25,0	29,0	62,0	3,0
5045TR1210	12	10	28,0	33,0	27,0	31,5	64,5	5,0
5045TR1410	14	10	29,5	35,5	27,0	31,5	67,0	6,0
5045TR1412	14	12	29,5	35,5	28,0	33,0	68,5	7,0
5045TR1612	16	12	30,0	36,0	28,0	33,0	69,0	7,0
5045TR1614	16	14	30,0	36,0	29,5	35,5	71,5	8,0
5045TR1914	19	14	31,0	37,0	29,5	35,5	72,5	10,0
5045TR1916	19	16	31,0	37,0	30,0	36,0	73,0	10,0



5050

Portagomma intermedio a T



CODE	ØD	C1	L1	C2	L2	GR.
5050TR4	4	16,0	19,0	16,0	20,5	1,0
5050TR5	5	21,0	25,0	21,0	26,5	1,0
5050TR6	6	23,0	27,5	23,0	29,0	1,0
5050TR8	8	25,0	30,5	25,0	32,5	3,0
5050TR10	10	27,0	33,0	27,0	33,5	5,0
5050TR12	12	28,0	34,0	28,0	37,5	8,0
5050TR14	14	29,5	42,5	29,5	42,5	12,0
5050TR16	16	30,0	44,0	30,0	44,0	13,0
5050TR19	19	31,0	45,0	31,0	45,0	17,0

5055

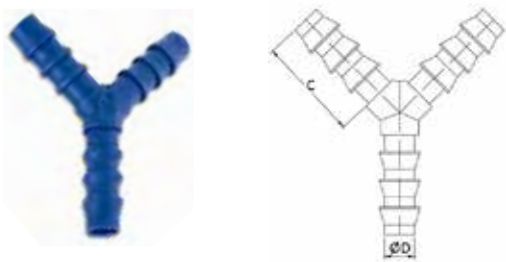
Portagomma intermedio a T ridotto



CODE	ØD1	ØD2	C1	L1	C2	L2	GR.
5055TR54	5	4	21,0	25,0	16,0	21,5	1,0
5055TR65	6	5	23,0	27,5	21,0	27,0	2,0
5055TR86	8	6	25,0	30,5	23,0	30,5	3,0
5055TR108	10	8	27,0	33,0	25,0	34,0	4,0
5055TR1210	12	10	28,0	34,5	27,0	36,5	7,0
5055TR1412	14	12	29,5	37,0	28,0	38,5	11,0
5055TR1614	16	14	30,0	39,0	29,5	41,5	13,0
5055TR1916	19	16	31,0	41,0	30,0	43,0	17,0

5060

Portagomma intermedio a Y

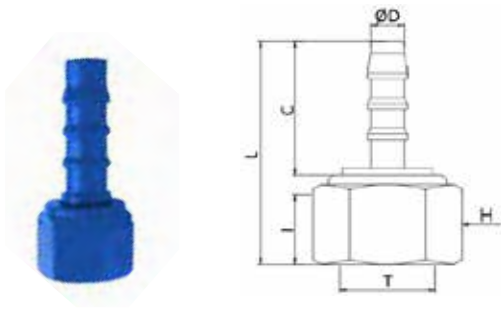


CODE	ØD	C	GR.
5060TR4	4	16,5	1,0
5060TR6	6	23,5	1,5
5060TR8	8	25,5	3,0
5060TR10	10	24,0	5,0
5060TR17	17	24,0	7,0



5070

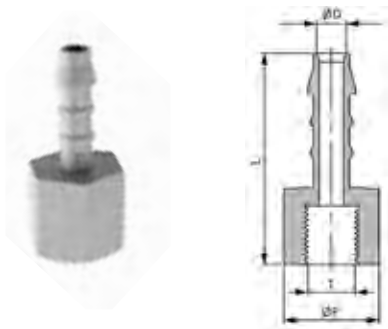
Portagomma girevole femmina conico BSPT



CODE	T	ØD	I	C	L	H	GR.
5070TR184	R1/8"	4	10,0	16,0	27,5	13	1,0
5070TR144	R1/4"	4	14,2	16,0	31,7	16	1,0
5070TR185	R1/8"	5	10,0	21,0	32,5	13	1,2
5070TR145	R1/4"	5	15,0	21,0	36,7	16	1,5
5070TR385	R3/8"	5	14,5	21,0	40,2	20	2,0
5070TR146	R1/4"	6	15,0	23,0	38,7	16	2,0
5070TR386	R3/8"	6	14,5	23,0	39,0	20	3,0
5070TR126	R1/2"	6	17,0	23,0	41,5	24	6,0
5070TR148	R1/4"	8	14,2	25,0	40,2	16	2,0
5070TR388	R3/8"	8	14,5	25,0	41,0	20	2,0
5070TR128	R1/2"	8	17,0	25,0	43,5	24	3,0
5070TR348	R3/4"	8	17,0	25,0	43,5	30	6,0
5070TR3810	R3/8"	10	14,5	27,0	43,0	20	4,0
5070TR1210	R1/2"	10	17,0	27,0	45,5	24	6,0
5070TR3410	R3/4"	10	17,0	27,0	45,5	30	9,0
5070TR1212	R1/2"	12	17,0	28,0	46,5	24	8,0
5070TR3412	R3/4"	12	17,0	28,0	46,5	30	10,0
5070TR1214	R1/2"	14	17,0	29,5	48,0	24	8,0
5070TR3414	R3/4"	14	17,0	29,5	48,0	30	10,0
5070TR3416	R3/4"	16	17,0	30,0	48,5	30	11,0
5070TR3419	R3/4"	19	17,0	31,0	49,5	30	16,0

5007

Portagomma femmina NPT

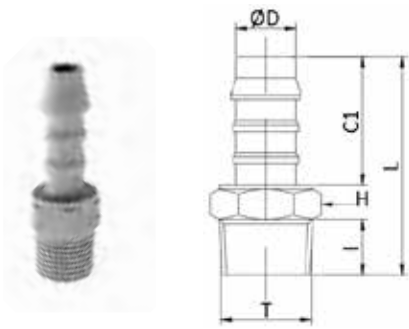


CODE	T	ØD	ØP	L	GR.
5007TR1814	N1/8"	1/4"	14	36,7	2,24
5007TR1414	N1/4"	1/4"	17	40,1	3,5
5007TR3814	N3/8"	1/4"	22	40,0	5,29
5007TR1214	N1/2"	1/4"	27	43,7	7,95
5007TR18516	N1/8"	5/16"	14	38,9	2,5
5007TR14516	N1/4"	5/16"	17	41,8	3,58
5007TR38516	N3/8"	5/16"	22	42,0	5,6
5007TR12516	N1/2"	5/16"	27	45,0	8,1
5007TR1438	N1/4"	3/8"	17	44,1	4,09
5007TR3838	N3/8"	3/8"	22	43,9	6,1
5007TR1238	N1/2"	3/8"	27	47,2	8,7
5007TR1412	N1/4"	1/2"	17	44,7	4,64
5007TR3812	N3/8"	1/2"	22	45,2	6,55
5007TR1212	N1/2"	1/2"	27	48,8	9,2
5007TR1258	N1/2"	5/8"	27	50,4	10,1
5007TR1234	N1/2"	3/4"	27	51,7	10,6



5015

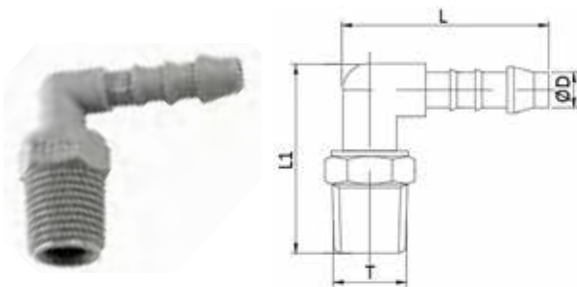
Portagomma maschio NPT



CODE	T	ØD	I	C1	L	H	GR.
5015TR18532	N1/8"	5/32"	8,0	16,0	30,5	11	1,0
5015TR18316	N1/8"	3/16"	9,0	21,0	20,5	11	1,0
5015TR14316	N1/4"	3/16"	13,0	21,0	40,5	14	1,0
5015TR1814	N1/8"	1/4"	9,0	23,0	32,5	17	1,5
5015TR14	N1/4"	1/4"	13,0	23,0	42,5	22	1,0
5015TR3814	N3/8"	1/4"	13,0	23,0	44,0	11	3,0
5015TR1214	N1/2"	1/4"	18,0	23,0	49,0	14	6,4
5015TR18516	N1/8"	5/16"	9,0	25,0	34,5	17	1,8
5015TR14516	N1/4"	5/16"	13,0	25,0	44,5	22	2,7
5015TR38516	N3/8"	5/16"	13,0	25,0	46,0	14	4,1
5015TR12516	N1/2"	5/16"	18,0	25,0	51,0	22	6,8
5015TR1438	N1/4"	3/8"	13,0	27,0	46,5	22	3,0
5015TR38	N3/8"	3/8"	13,0	27,0	48,0	27	5,0
5015TR1238	N1/2"	3/8"	18,0	27,0	53,0	22	7,4
5015TR3438	N3/4"	3/8"	19,0	27,0	54,0	27	9,8
5015TR1412	N1/4"	1/2"	13,0	28,0	47,5	22	3,5
5015TR3812	N3/8"	1/2"	13,0	28,0	49,0	17,5	5,0
5015TR12	N1/2"	1/2"	18,0	28,0	54,0	27	7,6
5015TR3412	N3/4"	1/2"	19,0	28,0	55,0	22	10,3
5015TR1258	N1/2"	5/8"	18,0	30,0	56,0	22	8,5
5015TR3458	N3/4"	5/8"	19,0	30,0	57,0	27	11,2
5015TR1234	N1/2"	3/4"	18,0	31,0	57,0	22	9,1
5015TR34	N3/4"	3/4"	19,0	31,0	58,0	27	11,9

5022

Portagomma a gomito maschio NPT

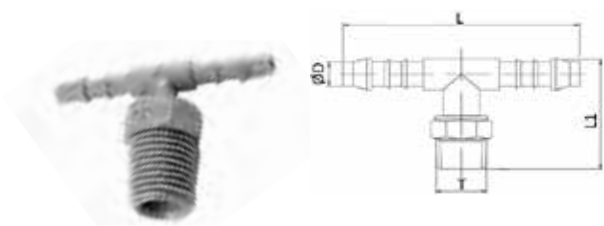


CODE	T	ØD	L	L1	GR.
5022TR18532	5/32"	N1/8"	25,7	26,0	1,58
5022TR14532	5/32"	N1/4"	25,9	31,1	2,5
5022TR18316	3/16"	N1/8"	31,8	28,6	2,0
5022TR14316	3/16"	N1/4"	33,4	31,8	-
5022TR12316	3/16"	N1/2"	41,8	31,8	-
5022TR1814	1/4"	N1/8"	35,4	29,0	2,29
5022TR1414	1/4"	N1/4"	35,5	33,7	3,3
5022TR3814	1/4"	N3/8"	35,5	33,8	4,8
5022TR1214	1/4"	N1/2"	42,2	35,5	6,7
5022TR18516	5/16"	N1/8"	41,5	32,1	3,30
5022TR14516	5/16"	N1/4"	41,2	36,7	4,25
5022TR38516	5/16"	N3/8"	41,5	36,6	5,4
5022TR12516	5/16"	N1/2"	41,5	43,1	8,7
5022TR1438	3/8"	N1/4"	45,4	37,7	4,8
5022TR3838	3/8"	N3/8"	45,3	37,5	6,2
5022TR1238	3/8"	N1/2"	45,4	44,4	7,8
5022TR3438	3/8"	N3/4"	45,4	44,0	12,4
5022TR1412	1/2"	N1/4"	48,6	39,0	-
5022TR3812	1/2"	N3/8"	48,3	28,6	7,8
5022TR1212	1/2"	N1/2"	48,7	45,2	11,1
5022TR3412	1/2"	N3/4"	48,7	45,2	14,1
5022TR1258	5/8"	N1/2"	53,8	51,5	14,4
5022TR3458	5/8"	N3/4"	53,8	51,4	17,5
5022TR1234	3/4"	N1/2"	56,6	52,8	16,1
5022TR3434	3/4"	N3/4"	56,2	53,0	18,8



5027

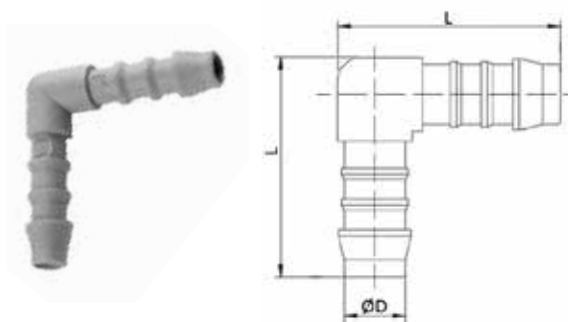
Portagomma a T maschio NPT



CODE	T	ØD	L	L1	GR.
5027TR18532	N1/8"	5/32"	45,1	26,0	1,44
5027TR14532	N1/4"	5/32"	45,1	30,7	2,69
5027TR18316	N1/8"	3/16"	56,3	28,6	2,4
5027TR14316	N1/4"	3/16"	56,3	33,4	3,34
5027TR12316	N1/2"	3/16"	56,3	39,3	7,8
5027TR1814	N1/8"	1/4"	63,0	29,4	-
5027TR1414	N1/4"	1/4"	63,0	33,8	3,86
5027TR3814	N3/8"	1/4"	63,0	33,7	6,55
5027TR1214	N1/2"	1/4"	63,0	40,3	9,57
5027TR18516	N1/8"	5/16"	72,5	32,3	4,51
5027TR14516	N1/4"	5/16"	72,5	36,8	5,46
5027TR38516	N3/8"	5/16"	72,5	36,9	6,65
5027TR12516	N1/2"	5/16"	72,5	42,8	9,68
5027TR1438	N1/4"	3/8"	78,5	38,0	5,14
5027TR3838	N3/8"	3/8"	78,5	37,7	7,78
5027TR1238	N1/2"	3/8"	78,5	44,0	10,52
5027TR3438	N3/4"	3/8"	78,5	43,8	13,91
5027TR1412	N1/4"	1/2"	82,6	39,3	8,62
5027TR3812	N3/8"	1/2"	82,6	38,8	11
5027TR1212	N1/2"	1/2"	82,6	45,5	14,44
5027TR3412	N3/4"	1/2"	82,6	45,5	20,42
5027TR1258	N1/2"	5/8"	88,4	51,5	18,28
5027TR3458	N3/4"	5/8"	88,4	51,1	21
5027TR1234	N1/2"	3/4"	90,5	53,0	16,6
5027TR3434	N3/4"	3/4"	90,5	52,5	23,02

5032

Portagomma a gomito per tubo in pollici

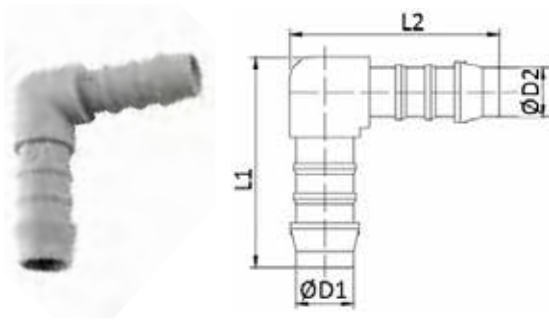


CODE	ØD	L	GR.
5032TR532	5/32"	25,6	0,65
5032TR316	3/16"	33,2	1,19
5032TR14	1/4"	36,1	1,77
5032TR516	5/16"	41,4	3,18
5032TR38	3/8"	44,6	4,42
5032TR12	1/2"	47,6	6,7
5032TR58	5/8"	54,3	11,17
5032TR34	3/4"	56,7	13,6



5037

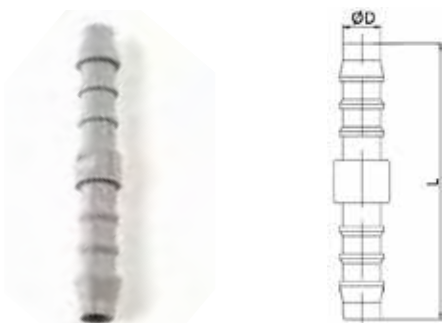
Portagomma a gomito ridotto per tubo in pollici



CODE	ØD1	ØD2	L1	L2	GR.
5037TR316532	3/16"	5/32"	31,8	27,9	1,5
5037TR14316	1/4"	3/16"	35,4	34,1	2,0
5037TR51614	5/16"	1/4"	39,4	41,6	2,3
5037TR3814	3/8"	1/4"	40,2	45,3	3,8
5037TR38516	3/8"	5/16"	42,5	45,5	4,0
5037TR1238	1/2"	3/8"	45,8	48,6	6,5
5037TR3458	3/4"	5/8"	55,8	55,8	7,2

5042

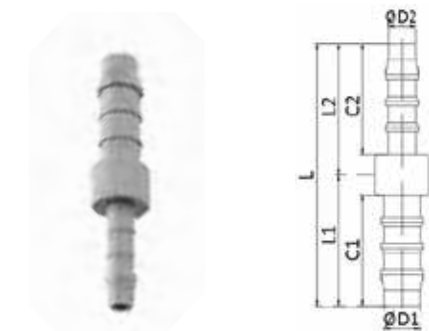
Portagomma diritto per tubo in pollici



CODE	ØD	L	GR.
5042TR532	5/32"	25,6	0,65
5042TR316	3/16"	33,2	1,19
5042TR14	1/4"	36,1	1,77
5042TR516	5/16"	41,4	3,18
5042TR38	3/8"	44,6	4,42
5042TR12	1/2"	47,6	6,7
5042TR58	5/8"	54,3	11,17
5042TR34	3/4"	56,7	13,6

5047

Portagomma diritto ridotto per tubo in pollici

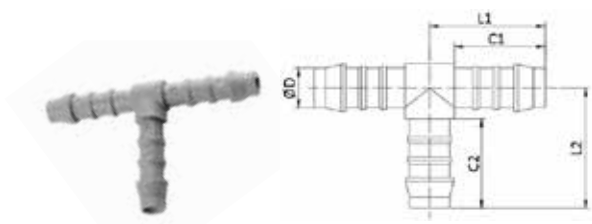


CODE	ØD1	ØD2	C1	L1	C2	L2	L	GR.
5047TR316532	3/16"	5/32"	-	-	-	-	42,2	0,62
5047TR14532	1/4"	5/32"	-	-	-	-	45,7	0,86
5047TR14316	1/4"	3/16"	23,5	26,0	21,0	23,5	49,5	1,0
5047TR516316	5/16"	3/16"	24,0	29,5	21,0	23,5	53,0	2,0
5047TR51614	5/16"	1/4"	25,0	29,0	23,0	26,0	55,0	2,1
5047TR3814	1/2"	1/4"	25,5	31,5	23,0	27,0	58,5	2,5
5047TR38516	3/8"	5/16"	27,0	31,5	25,0	29,0	60,5	2,8
5047TR12516	1/2"	5/16"	28,0	33,0	25,0	29,0	62,0	4,1
5047TR1238	1/2"	3/8"	29,5	33,0	27,0	31,5	64,5	4,6
5047TR5812	5/8"	1/2"	30,5	36,0	28,0	33,0	69,0	7,5
5047TR3458	3/4"	5/8"	31,0	37,0	30,0	37,0	74,0	10,0



5052

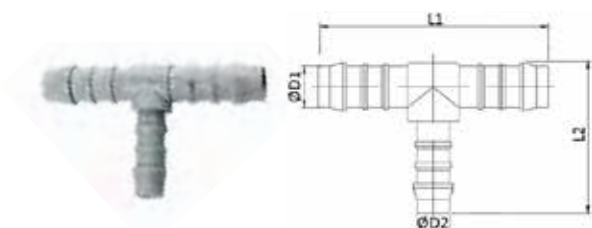
Portagomma a T per tubo in pollici



CODE	ØD	C1	L1	C2	L2	GR.
5052TR532	5/32"	-	39,4	-	24,3	0,62
5052TR316	3/16"	21,0	25,0	21,0	27,5	1,2
5052TR14	1/4"	23,0	27,5	23,0	29,0	1,9
5052TR516	5/16"	25,0	30,5	25,0	32,5	3,2
5052TR38	3/8"	26,5	33,0	27,0	35,5	5,5
5052TR12	1/2"	28,0	34,0	28,0	37,5	9,0
5052TR58	5/8"	30,0	44,0	30,0	44,0	14,0
5052TR34	3/4"	31,0	45,0	31,0	45,0	17,0

5057

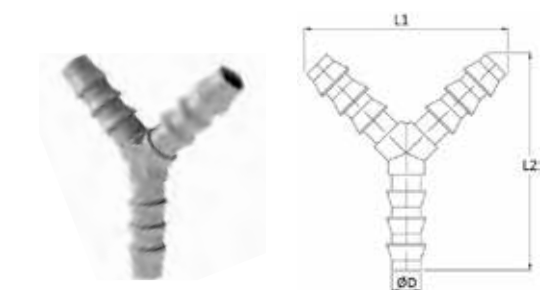
Portagomma a T ridotto per tubo in pollici



CODE	ØD1	ØD2	L1	L2	GR.
5057TR316532	3/16"	5/32"	50,6	25,9	1,1
5057TR14316	1/4"	3/16"	55,8	32,0	1,74
5057TR51614	5/16"	1/4"	61,5	36,2	2,94
5057TR38516	3/8"	5/16"	66,5	39,3	1,1
5057TR1238	1/2"	3/8"	70,3	43,5	7,75
5057TR3458	3/4"	5/8"	84,3	55,2	16,42

5062

Portagomma a Y per tubo in pollici



CODE	ØD	L1	L2	GR.
5062TR532	5/32"	30,8	35,5	0,65
5062TR14	1/4"	44,3	50,8	2,095
5062TR516	5/16"	49,4	55,6	3,35
5062TR38	3/8"	54,9	60,8	4,93



