

RACCORDI PORTAGOMMA OTTONE

PLUS

ADATTI PER ARIA

DISPONIBILI ACCESSORI PER UNA
MAGGIOR TENUTA E SICUREZZA





p. 272 / **1165**



p. 272 / **1167**



p. 273 / **1169**



p. 273 / **1170**



p. 274 / **1171**

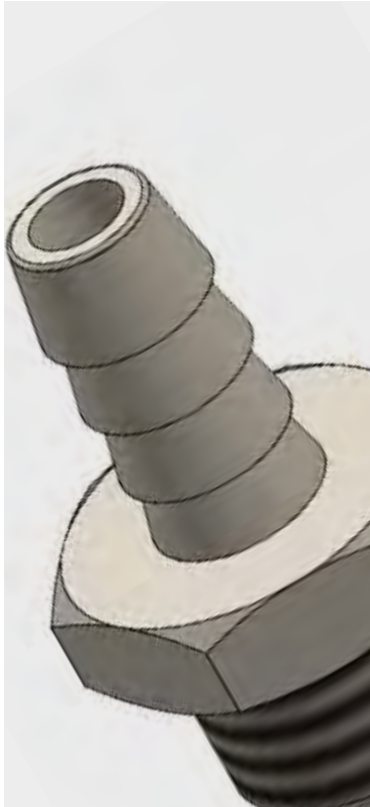


p. 274 / **1172**



p. 274 / **1173**





-20°C ÷ 100°C con o-ring in NBR
 -15°C ÷ +200°C con o-ring in viton
 La temperatura d'esercizio è determinata dalle caratteristiche del tubo utilizzato



18 Bar
 La pressione d'esercizio è determinata dalle caratteristiche del tubo utilizzato



Aria compressa, acqua e fluidi compatibili con i materiali costruttivi.



Conica gas BSPT ISO 7 da R1/8" a R1"
 Cilindrica gas BSPP ISO 228 da G1/8" a G3/4"
 Metrica M5, M6



Corpo: ottone nichelato
 UNI EN 12164 CW 614N AND
 UNI EN12165 CW 617N

Tornito: ottone nichelato
 UNI EN 12164 CW 614N

Stampato: ottone nichelato
 UNI EN 12164 CW 617N

O'Ring: NBR o Viton

Disponibile a richiesta e con quantità minima in ottone giallo



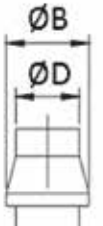
Prodotti conformi alla direttiva 2002/95/EC

RoHS2

Prodotti conformi alla direttiva 2011/65/EU

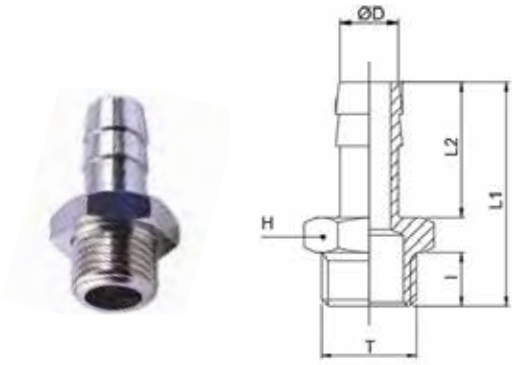
DIAMETRO RESCA

ØD	Ø 4,5 mm	Ø 6 mm	Ø 7 mm	Ø 8 mm	Ø 9 mm	Ø10 mm	Ø 12 mm	Ø 14 mm	Ø 17 mm	Ø 18 mm	Ø 20 mm
ØB (mm)	5,0 mm	6,15 mm	7,15 mm	8,15 mm	9,20 mm	10,20 mm	12,20 mm	14,25 mm	17,30 mm	18,50 mm	20,60 mm



1165

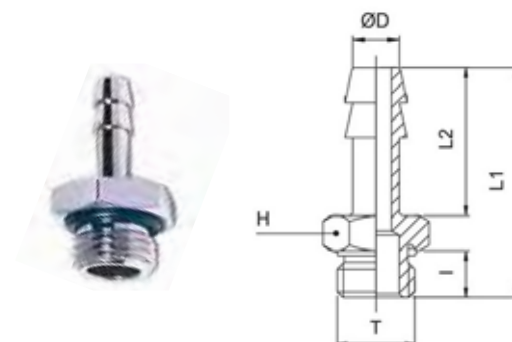
Portagomma maschio cilindrico BSPP & metrico nichelato



CODE	T	ØD	I	L1	L2	H	GR.
1165TRM545	M5	4,5	4,0	22,5	15,0	8	6,0
1165TRM56	M5	6	4,0	22,0	19,0	8	3,0
1165TRM66	M6	6	4,0	22,0	19,0	8	4,0
1165TR186	G1/8"	6	6,0	29,5	19,0	12	8,0
1165TR146	G1/4"	6	8,0	32,0	19,0	14	12,0
1165TRM57	M5	7	4,0	22,2	19,0	8	3,0
1165TRM67	M6	7	5,0	22,0	19,0	8	4,0
1165TR187	G1/8"	7	6,0	29,5	19,0	12	8,0
1165TR147	G1/4"	7	8,0	32,0	19,0	14	14,0
1165TR188	G1/8"	8	6,0	29,5	19,0	12	8,0
1165TR148	G1/4"	8	8,0	32,0	19,0	14	14,0
1165TR388	G3/8"	8	9,0	33,0	19,0	19	22,0
1165TR189	G1/8"	9	6,0	29,5	19,0	12	10,0
1165TR149	G1/4"	9	8,0	32,0	19,0	14	14,0
1165TR389	G3/8"	9	9,0	33,0	19,0	19	22,0
1165TR1810	G1/8"	10	6,0	30,5	20,0	12	10,0
1165TR1410	G1/4"	10	8,0	33,0	20,0	14	14,0
1165TR3810	G3/8"	10	9,0	34,0	20,0	19	23,0
1165TR1412	G1/4"	12	8,0	33,0	20,0	14	16,0
1165TR3812	G3/8"	12	9,0	34,0	20,0	19	24,0
1165TR1212	G1/2"	12	10,0	35,5	20,0	22	32,0
1165TR3814	G3/8"	14	9,0	36,0	22,0	19	26,0
1165TR1214	G1/2"	14	10,0	37,5	22,0	22	34,0
1165TR3817	G3/8"	17	9,0	38,0	24,0	19	30,0
1165TR1217	G1/2"	17	10,0	39,5	24,0	22	38,0
1165TR3418	G3/4"	18	11,0	41,5	24,0	30	58,0
1165TR1220	G1/2"	20	10,0	39,5	24,0	22	40,0
1165TR3420	G3/4"	20	11,0	41,5	24,0	30	60,0

1167

Portagomma maschio cilindrico BSPP & metrico con OR nichelato

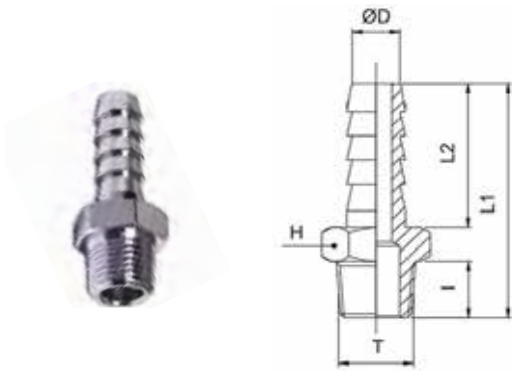


CODE	T	ØD	I	L1	L2	H	GR.
1167TRM545	M5	4,5	4,5	23,0	15,0	8	6,0
1167TR186	G1/8"	6	6,5	30,0	19,0	14	10,0
1167TR146	G1/4"	6	8,0	32,0	19,0	17	16,0
1167TR187	G1/8"	7	6,5	30,0	19,0	14	10,0
1167TR147	G1/4"	7	8,0	32,0	19,0	17	16,0
1167TR188	G1/8"	8	6,5	30,0	19,0	14	12,0
1167TR148	G1/4"	8	8,0	32,0	19,0	17	17,0
1167TR189	G1/8"	9	6,5	30,0	19,0	14	14,0
1167TR149	G1/4"	9	8,0	32,0	19,0	17	16,0
1167TR389	G3/8"	9	9,0	33,0	19,0	20	22,0
1167TR1412	G1/4"	12	8,0	33,0	20,0	17	18,0
1167TR3812	G3/8"	12	9,0	34,0	20,0	20	24,0
1167TR1212	G1/2"	12	10,0	35,5	20,0	24	35,0
1167TR3817	G3/8"	17	9,0	38,0	24,0	20	30,0
1167TR1217	G1/2"	17	10,0	39,5	24,0	24	42,0



1169

Portagomma maschio conico BSPT nichelato



CODE	T	ØD	I	L1	L2	H	GR.
1169TR186	R1/8"	6	8,0	31,5	19,0	12	8,0
1169TR146	R1/4"	6	11,0	35,0	19,0	14	14,0
1169TR187	R1/8"	7	8,0	31,5	19,0	12	10,0
1169TR147	R1/4"	7	11,0	35,0	19,0	14	14,0
1169TR188	R1/8"	8	8,0	31,5	19,0	12	10,0
1169TR148	R1/4"	8	11,0	35,0	19,0	14	14,0
1169TR189	R1/8"	9	8,0	31,5	19,0	12	12,0
1169TR149	R1/4"	9	11,0	35,0	19,0	14	16,0
1169TR389	R3/8"	9	11,5	35,5	19,0	17	20,0
1169TR129	R1/2"	9	14,0	38,5	19,0	22	32,0
1169TR1810	R1/8"	10	8,0	32,5	20,0	12	10,0
1169TR1410	R1/4"	10	11,0	36,0	20,0	14	16,0
1169TR3810	R3/8"	10	11,5	36,5	20,0	17	22,0
1169TR1210	R1/2"	10	14,0	39,5	20,0	22	32,0
1169TR1412	R1/4"	12	11,0	36,0	20,0	14	16,0
1169TR3812	R3/8"	12	11,5	36,5	20,0	17	22,0
1169TR1212	R1/2"	12	14,0	39,5	20,0	22	34,0
1169TR3814	R3/8"	14	11,5	38,5	22,0	17	24,0
1169TR1214	R1/2"	14	14,0	41,5	22,0	22	36,0
1169TR3816	R3/8"	16	11,5	38,5	22,0	17	26,0
1169TR1216	R1/2"	16	14,0	41,5	22,0	22	36,0
1169TR3416	R3/4"	16	16,5	45,0	22,0	27	58,0
1169TR3817	R3/8"	17	11,5	40,5	24,0	18	30,0
1169TR1217	R1/2"	17	14,0	43,5	24,0	22	40,0
1169TR3818	R3/8"	18	11,5	40,5	24,0	19	34,0
1169TR1218	R1/2"	18	14,0	43,5	24,0	22	44,0
1169TR3418	R3/4"	18	16,5	47,0	24,0	27	62,0
1169TR3820	R3/8"	20	11,5	41,0	24,0	22	40,0
1169TR1220	R1/2"	20	14,0	43,5	24,0	22	42,0
1169TR3420	R3/4"	20	16,5	46,5	24,0	27	60,0
1169TR3425	R3/4"	25	16,5	53,0	30,0	27	76,0
1169TR125	R1"	25	19,0	56,0	30,0	34	114,0

1170

Portagomma femmina cilindrico BSPP

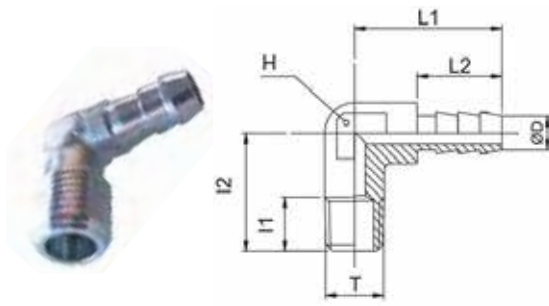


CODE	T	ØD	I	L1	L2	H	GR.
1170TR187	G1/8"	7	10,0	27,0	17,0	12	9,0
1170TR147	G1/4"	7	13,0	33,0	20,0	17	21,0
1170TR188	G1/8"	8	10,0	27,0	17,0	12	8,0
1170TR148	G1/4"	8	13,0	33,0	20,0	17	19,0
1170TR189	G1/8"	9	10,0	27,0	17,0	12	9,0
1170TR149	G1/4"	9	13,0	33,0	20,0	17	20,0
1170TR1412	G1/4"	12	13,0	33,0	20,0	17	22,0



1171

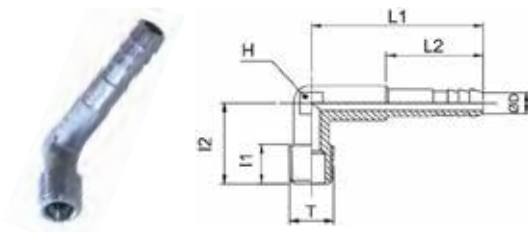
Portagomma a gomito conico BSPT



CODE	T	ØD	I1	I2	L1	L2	H	GR.
1171TR186185	R1/8"	6	8,0	18,5	22,5	14,0	8	10,0
1171TR18623	R1/8"	6	11,0	23,0	22,5	14,0	8	12,0
1171TR14623	R1/4"	6	11,0	23,0	23,0	14,0	9	16,0
1171TR187185	R1/8"	7	8,0	18,5	22,5	14,0	8	10,0
1171TR18723	R1/8"	7	11,0	23,0	22,5	14,0	8	10,0
1171TR14723	R1/4"	7	12,0	23,0	23,0	14,0	9	16,0

1172

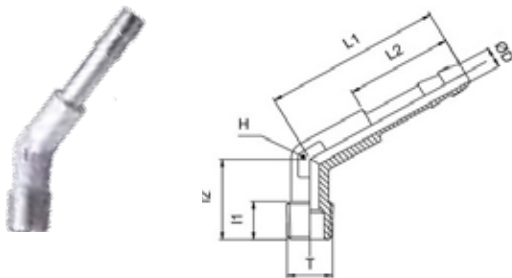
Portagomma a gomito serie lunga conico BSPT



CODE	T	ØD	I1	I2	L1	L2	H	GR.
1172TR186325	R1/8"	6	11,0	22,0	32,5	14,0	9	18,0
1172TR18638	R1/8"	6	8,0	18,5	38,0	22,0	8	14,0
1172TR146325	R1/4"	6	11,0	23,0	32,5	14,0	9	20,0
1172TR187325	R1/8"	7	11,0	22,0	32,5	14,0	9	16,0
1172TR18738	R1/8"	7	8,0	18,5	38,0	22,0	8	14,0
1172TR147325	R1/4"	7	8,0	23,0	32,5	14,0	9	20,0

1173

Portagomma a gomito 120° serie lunga conico BSPT



CODE	T	ØD	I1	I2	L1	L2	H	GR.
1173TR186	R1/8"	6	8,0	18,5	38,0	23,0	8	14,0
1173TR187	R1/8"	7	8,0	18,5	38,0	23,0	8	12,0

