

RACCORDI STANDARD

PVDF

PLUS

SERIE COMPLETA

I RACCORDI IN PVDF FUNZIONANO
BENE, ANCHE QUANDO ESPOSTI AD
UN'AMPIA GAMMA DI TEMPERATURE
E RESISTENTI AGLI AGENTI CHIMICI
CORROSIVI

ADATTI PER IL CONTATTO CON ALIMENTI





p. 357 / **1900**



p. 357 / **1902**



p. 358 / **1910**



p. 358 / **1912**



p. 358 / **1920**



p. 359 / **1925**



p. 359 / **1927**



p. 359 / **1930**



p. 359 / **1932**



p. 360 / **1934**



p. 360 / **1940**

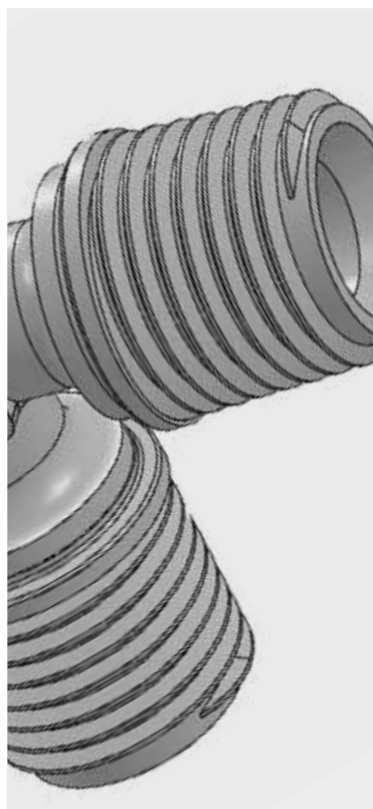


p. 360 / **1950**



p. 360 / **1955**





20°C ÷ +120°C
a seconda dell'applicazione



Fino a 14 Bar a 20°C



Aria compressa, acqua e fluidi alimentari compatibili con i materiali costruttivi



Conica gas BSPT ISO 7 da R1/8" a R3/4"



Fluoruro di polivinilidene (PVDF)

CARATTERISTICHE

Ideali per applicazioni con fluidi altamente corrosivi come acidi, basi deboli, alogeni, alcolici, sali, ossidanti pesanti, detergenti, ecc. Sono resistenti ai raggi UV e alle radiazioni nucleari.

Disponibili a richiesta con filetto NPT



Prodotti conformi alla direttiva 2002/95/EC

RoHS2

Prodotti conformi alla direttiva 2011/65/EU

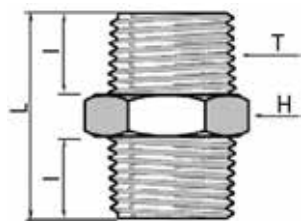


COPPIA DI SERRAGGIO CONSIGLIATA

FILETTO	NM	FT LB
1/8	0,1	0,07
1/4	1	0,8
3/8	5	3
1/2	8	6
3/4	16	12
1	26	19

1900

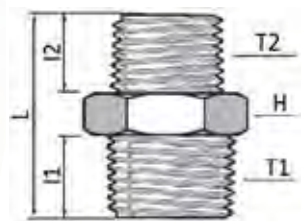
Nipplo conico BSPT



CODE	T	L	I	H	GR.
1900TR18	R1/8"	23,0	8,0	14	1,4
1900TR14	R1/4"	27,0	10,0	17	3,5
1900TR38	R3/8"	28,0	10,0	19	4,2
1900TR12	R1/2"	34,0	12,5	22	8,0

1902

Nipplo ridotto conico BSPT

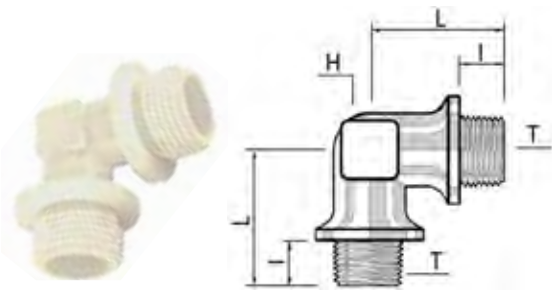


CODE	T1	T2	I1	I2	L	H	GR.
1902TR1418	R1/4"	R1/8"	10,5	8,5	25,0	17	2,5
1902TR3818	R3/8"	R1/8"	10,0	8,0	26,0	19	3,8
1902TR3814	R3/8"	R1/4"	10,0	10,0	28,0	19	4,1
1902TR1218	R1/2"	R1/8"	13,0	12,0	35,0	22	6,1
1902TR1214	R1/2"	R1/4"	13,0	10,5	31,5	22	6,7
1902TR1238	R1/2"	R3/8"	13,0	10,5	31,5	22	6,0



1910

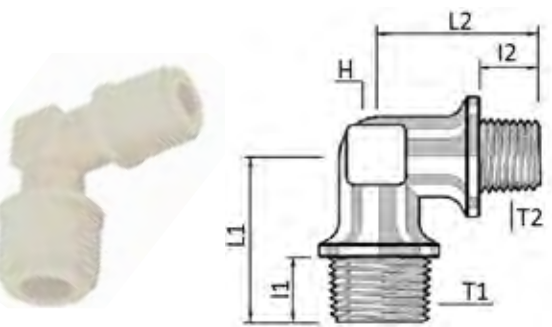
Gomito maschio conico BSPT



CODE	T	I	L	H	GR.
1910TR18	R1/8"	8,0	20,0	10	3,0
1910TR14	R1/4"	10,0	22,0	10	4,0
1910TR38	R3/8"	10,0	24,0	14	7,0
1910TR12	R1/2"	12,5	32,0	17	15,0

1912

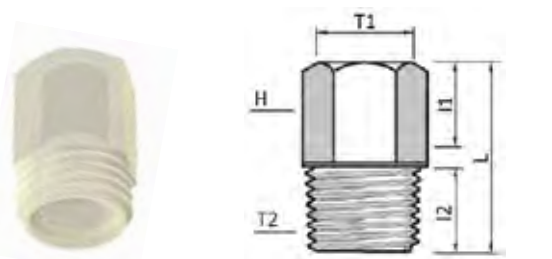
Gomito ridotto maschio conico BSPT



CODE	T1	T2	I1	I2	L1	L2	H	GR.
1912TR1418	R1/4"	R1/8"	10,0	8,0	22,0	20,0	12	3,6
1912TR3814	R3/8"	R1/4"	10,0	10,0	24,0	24,0	15	6,5
1912TR1238	R1/2"	R3/8"	12,5	10,0	32,0	29,5	17	13,0

1920

Prolunga M/F conica BSPT

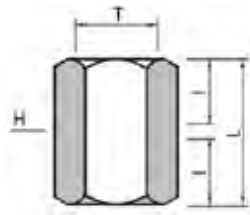


CODE	T1	T2	I1	I2	L	H	GR.
1920TR1818	R1/8"	R1/8"	9,0	8,0	21,5	14	1,0
1920TR1414	R1/4"	R1/4"	10,5	10,0	25,0	17	3,0
1920TR3838	R3/8"	R3/8"	11,0	10,5	26,0	22	5,3
1920TR1212	R1/2"	R1/2"	13,5	13,0	31,0	26	9,0
1920TR1814	R1/8"	R1/4"	10,5	10,0	23,0	14	2,4
1920TR1838	R1/8"	R3/8"	9,0	10,0	24,0	14	2,7
1920TR1812	R1/8"	R1/2"	9,0	12,0	27,0	14	4,1
1920TR1438	R1/4"	R3/8"	10,5	10,0	25,0	17	5,0
1920TR1412	R1/4"	R1/2"	10,5	10,0	27,0	17	4,8
1920TR3812	R3/8"	R1/2"	11,0	13,0	28,0	22	8,0
1920TR1418	R1/4"	R1/8"	10,5	8,0	23,0	17	2,8
1920TR3818	R3/8"	R1/8"	11,0	8,0	23,5	22	4,8
1920TR3814	R3/8"	R1/4"	11,0	10,0	25,0	22	5,1
1920TR1218	R1/2"	R1/8"	13,5	8,0	25,0	26	7,0
1920TR1214	R1/2"	R1/4"	13,5	10,0	26,0	26	7,2
1920TR1238	R1/2"	R3/8"	13,5	10,0	28,0	26	8,0



1925

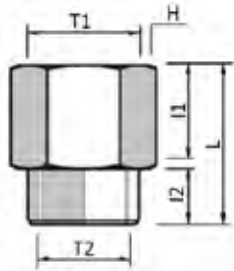
Manicotto femmina conico BSPT



CODE	T	I	L	H	GR.
1925TR18	R1/8"	9,0	19,5	14	2,3
1925TR14	R1/4"	11,0	23,0	17	3,7
1925TR38	R3/8"	11,0	24,0	21	5,2
1925TR12	R1/2"	13,5	29,0	26	9,6
1925TR34	R3/4"	18,0	38,0	34	16,8

1927

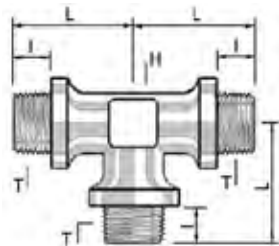
Manicotto ridotto femmina conico BSPT



CODE	T1	T2	I1	I2	L	H	GR.
1927TR1418	R1/4"	R1/8"	11,0	9,0	21,5	17	3,2
1927TR3818	R3/8"	R1/8"	11,0	9,0	24,0	21	5,2
1927TR3814	R3/8"	R1/4"	11,0	11,0	24,5	21	6,0
1927TR1214	R1/2"	R1/4"	13,5	11,0	27,0	26	8,0
1927TR1238	R1/2"	R3/8"	13,5	11,0	27,0	26	7,7
1927TR3414	R3/4"	R1/4"	13,5	11,0	27,0	30	11,0
1927TR3412	R3/4"	R1/2"	13,5	11,0	27,0	30	14,5

1930

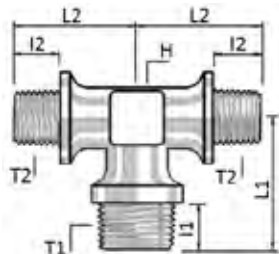
T maschio conico BSPT



CODE	T	I	L	H	GR.
1930TR18	R1/8"	8,0	20,0	12	4,0
1930TR14	R1/4"	10,0	22,0	12	5,0
1930TR38	R3/8"	10,0	25,0	15	10,0
1930TR12	R1/2"	12,5	32,0	17	22,0

1932

T centrale ridotto maschio conico BSPT

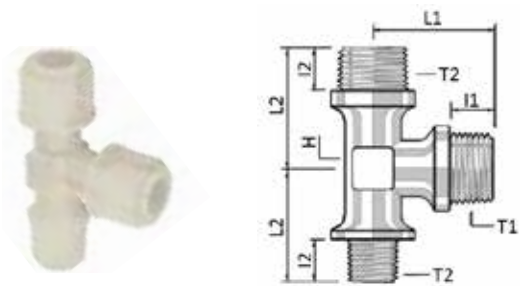


CODE	T1	T2	I1	I2	L1	L2	H	GR.
1932TR1814	R1/8"	R1/4"	8,0	10,0	20,0	22,0	12	4,4
1932TR1438	R1/4"	R3/8"	10,0	10,0	25,0	24,0	15	9,3
1932TR3812	R3/8"	R1/2"	10,0	12,5	29,5	31,0	17	17,3
1932TR1418	R1/4"	R1/8"	10,0	8,0	22,0	20,0	12	5,6
1932TR3814	R3/8"	R1/4"	10,0	10,0	25,0	24,0	15	9,7
1932TR1238	R1/2"	R3/8"	12,5	10,0	32,0	31,0	17	17,0



1934

T laterale ridotto maschio conico BSPT



CODE	T1	T2	I1	I2	L1	L2	H	GR.
1934TR1814	R1/8"	R1/4"	8,0	10,0	20,0	21,0	12	5,0
1934TR1418	R1/4"	R1/8"	10,0	8,0	22,0	21,0	12	4,9
1934TR1438	R1/4"	R3/8"	10,0	10,0	24,0	24,0	15	9,5
1934TR3814	R3/8"	R1/4"	10,0	10,0	24,0	24,0	15	8,8
1934TR3812	R3/8"	R1/2"	10,0	12,5	29,5	31,0	17	19,0
1934TR1238	R1/2"	R3/8"	12,5	10,0	32,0	31,0	17	17,9

1940

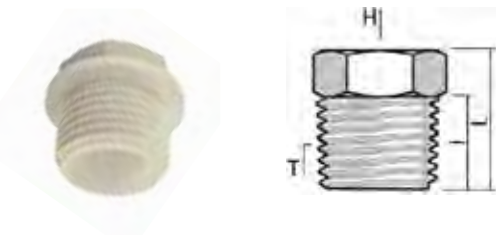
Riduzione M/F conica BSPT



CODE	T1	T2	I1	L	H	GR.
1940TR1418	R1/4"	R1/8"	10,0	17,5	14	1,5
1940TR3818	R3/8"	R1/8"	10,5	17,5	17	2,7
1940TR3814	R3/8"	R1/4"	10,5	17,5	17	2,1
1940TR1218	R1/2"	R1/8"	12,5	20,5	22	6,0
1940TR1214	R1/2"	R1/4"	12,5	20,5	22	5,0
1940TR1238	R1/2"	R3/8"	12,5	20,5	22	3,8
1940TR3414	R3/4"	R1/4"	13,5	22,5	27	8,9
1940TR3438	R3/4"	R3/8"	13,5	22,5	27	8,1
1940TR3412	R3/4"	R1/2"	13,5	22,5	27	7,0

1950

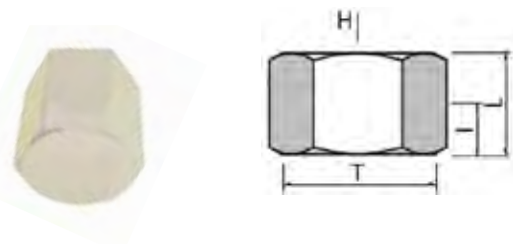
Tappo maschio conico BSPT



CODE	T	I	L	H	GR.
1950TR18	R1/8"	9,0	14,0	12	1,0
1950TR14	R1/4"	10,5	16,0	15	2,0
1950TR38	R3/8"	10,5	16,0	17	3,0
1950TR12	R1/2"	12,5	20,0	22	5,0
1950TR34	R3/4"	15,0	22,0	30	8,0
1950TR1	R1"	-	27,0	36	11,0

1955

Tappo femmina conico BSPT



CODE	T	I	L	H	GR.
1955TR18	R1/8"	9,0	15,0	13	1,1
1955TR14	R1/4"	10,0	16,0	16	1,2
1955TR38	R3/8"	11,0	14,0	20	2,7
1955TR12	R1/2"	13,5	20,5	25	4,3
1955TR34	R3/4"	14,0	19,5	30	6,2

