

RACCORDI STANDARD MICROFUSI

PLUS

ACCIAIO INOX AISI 316

FACILE DA MONTARE





p. 315 / **1410MF**



p. 316 / **1412MF**



p. 316 / **1416MF**



p. 316 / **1420-P3**



p. 317 / **1425-P3**



p. 317 / **1425**



p. 317 / **1440**



p. 318 / **1450**



p. 318 / **1455**



p. 318 / **1469**



p. 319 / **1475**



p. 319 / **1480**



p. 319 / **1485**



p. 320 / **1490**





da -20°C a +200°C



16 Bar



Maschio conico BSPT
da R1/8" a R2"
Femmina cilindrico BSPF
da G1/8" a G2"



Microfuso in acciaio
INOX AISI 316

CARATTERISTICHE

La pressione per temperature intermedie può essere determinata attraverso il metodo d'interpolazione. Le temperature indicate sono quelle del fluido interno. I carichi, le tensioni e i momenti agenti sulle pareti esterne non sono presi in considerazione.



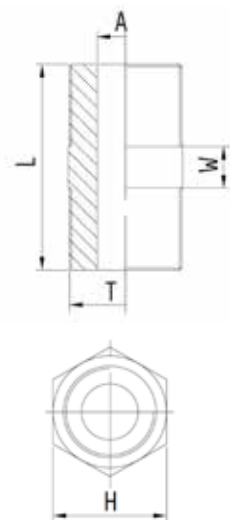
Prodotti conformi alla
direttiva 2002/95/EC

RoHS2

Prodotti conformi alla
direttiva 2011/65/EU

1410MF

Niplo conico BSPT

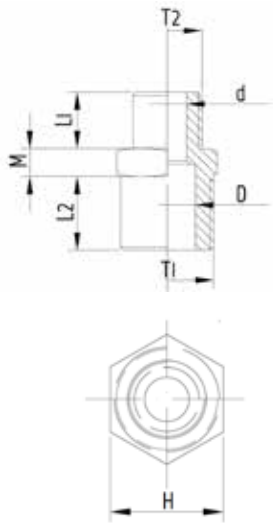


CODE	T	L	A	W	H
1410MF18	R1/8"	20,0	5,5	4,0	11,0
1410MF14	R1/4"	25,0	9,0	4,0	15,0
1410MF38	R3/8"	27,0	11,5	5,0	19,0
1410MF12	R1/2"	34,0	15,0	5,0	23,0
1410MF34	R3/4"	36,5	20,5	5,5	28,0
1410MF1	R1"	42,0	26,0	6,0	34,0
1410MF114	R1-1/4"	47,5	34,5	6,5	44,0
1410MF112	R1-1/2"	47,5	40,0	6,5	50,0
1410MF2	R2"	57,0	51,0	7,0	62,0



1412MF

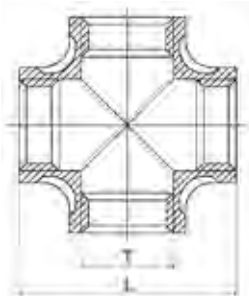
Nipplo ridotto conico BSPT



CODE	T1	T2	L1	L2	M	d	D	H
1412MF1418	R1/4"	R1/8"	8,0	10,5	4,0	5,5	8,0	14,5
1412MF3818	R3/8"	R1/8"	8,0	11,0	5,0	5,5	11,5	18,0
1412MF3814	R3/8"	R1/4"	10,5	11,0	5,0	8,0	11,5	18,0
1412MF1214	R1/2"	R1/4"	10,5	14,5	5,0	8,0	15,0	22,0
1412MF1238	R1/2"	R3/8"	11,0	14,5	5,0	11,5	15,0	22,0
1412MF3438	R3/4"	R3/8"	11,0	15,5	5,5	11,5	20,5	28,0
1412MF3412	R3/4"	R1/2"	14,5	15,5	5,5	15,0	20,5	28,0
1412MF138	1"	R3/8"	11,0	18,0	6,0	11,5	26,0	35,0
1412MF112	1"	R1/2"	14,5	18,0	6,0	15,0	26,0	35,0
1412MF134	1"	R3/4"	15,5	18,0	6,0	20,5	26,0	35,0
1412MF11434	1-1/4"	R3/4"	15,5	20,5	6,5	20,5	34,5	43,5
1412MF1141	1-1/4"	1"	18,0	20,5	6,5	26,0	34,5	43,5
1412MF1121	1-1/2"	1"	18,0	20,5	6,5	26,0	40,0	49,0
1412MF112114	1-1/2"	1-1/4"	20,5	20,5	6,5	34,5	40,0	49,0
1412MF21	2"	1"	18,0	25,0	7,0	26,0	51,0	61,5
1412MF2114	2"	1-1/4"	20,5	25,0	7,0	34,5	51,0	61,5
1412MF2112	2"	1-1/2"	20,5	25,0	7,0	40,0	51,0	61,5

1416MF

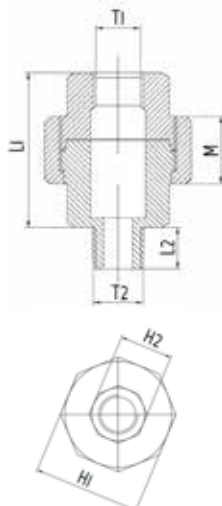
Croce cilindrico BSPP



CODE	T	L	DN
1416MF18	G1/8"	34,0	6
1416MF14	G1/4"	38,0	8
1416MF38	G3/8"	45,0	10
1416MF12	G1/2"	51,0	15
1416MF34	G3/4"	62,0	20
1416MF1	G1"	72,0	25
1416MF114	G1-1/4"	86,0	32
1416MF112	G1-1/2"	95,0	40
1416MF2	G2"	110,0	50
1416MF212	G2-1/2"	132,0	65

1420-P3

Nipplo in 3 pezzi maschio conico BSPT / femmina cilindrico BSPP



CODE	T1	T2	L1	L2	M	H1	H2
1420MF18P3	G1/8"	R1/8"	30,0	8,0	13,0	26	13
1420MF14P3	G1/4"	R1/4"	33,5	10,5	13,5	29	16,5
1420MF38P3	G3/8"	R3/8"	36,5	11,0	15,0	34	20
1420MF12P3	G1/2"	R1/2"	39,5	14,5	16,0	37	24,5



1425-P3

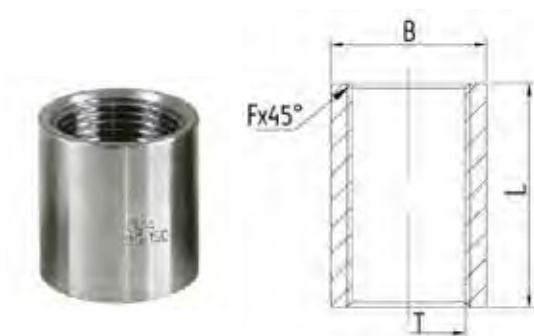
Manicotto in 3 pezzi femmina cilindrico BSPP



CODE	T	L1	M	H1	H2
1425MF18P3	G1/8"	30,0	13,0	26	13
1425MF14P3	G1/4"	33,5	13,5	29	16,5
1425MF38P3	G3/8"	36,5	15,0	34	20
1425MF12P3	G1/2"	39,5	16,0	37	24,5
1425MF34P3	G3/4"	42,5	17,0	44	30
1425MF1P3	G1"	50,0	20,0	52,5	37

1425

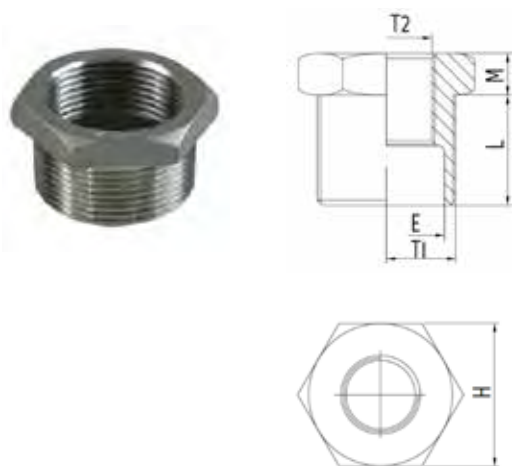
Manicotto femmina cilindrico BSPP



CODE	T	L	F	B
1425MF18	G1/8"	17,0	0,6	13,0
1425MF14	G1/4"	24,0	1,0	16,5
1425MF38	G3/8"	25,0	1,0	20,0
1425MF12	G1/2"	32,0	1,2	24,5
1425MF34	G3/4"	35,0	1,2	30,0
1425MF1	G1"	41,0	1,6	37,0
1425MF114	G1-1/4"	45,0	1,6	46,5
1425MF112	G1-1/2"	45,0	1,6	53,0
1425MF2	G2"	54,0	1,6	65,0

1440

Riduzione maschio conico BSPT / femmina cilindrico BSPP

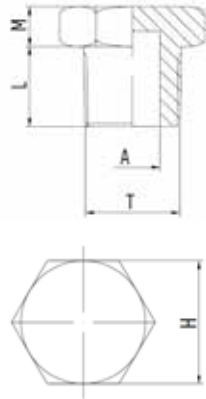


CODE	T1	T2	E	L	M	H
1440MF1418	R1/4"	G1/8"	8,0	10,5	4,0	14,5
1440MF3818	R3/8"	G1/8"	11,5	11,0	5,0	18,5
1440MF3814	R3/8"	G1/4"	11,5	11,0	5,0	18,5
1440MF1214	R1/2"	G1/4"	15,0	14,5	5,0	22,5
1440MF1238	R1/2"	G3/8"	15,0	14,5	5,0	22,5
1440MF3438	R3/4"	G3/8"	20,5	15,5	5,5	28,0
1440MF3412	R3/4"	G1/2"	20,5	15,5	5,5	28,0
1440MF112	R1"	G1/2"	26,0	18,0	6,0	35,0
1440MF134	R1"	G3/4"	26,0	18,0	6,0	35,0
1440MF11434	R1-1/4"	G3/4"	34,5	20,5	6,5	44,0
1440MF1141	R1-1/4"	G1"	34,5	20,5	6,5	44,0
1440MF1121	R1-1/2"	G1"	40,0	20,5	6,5	49,5
1440MF112114	R1-1/2"	G1-1/4"	40,0	20,5	6,5	49,5
1440MF2114	R2"	G1-1/4"	51,0	25,0	7,0	61,5
1440MF2112	R2"	G1-1/2"	51,0	25,0	7,0	61,5



1450

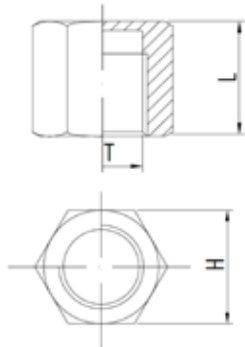
Tappo maschio cilindrico BSPP



CODE	T	L	M	A	H
1450MF18	G1/8"	8,0	4,0	5,5	12,5
1450MF14	G1/4"	10,5	4,0	8,0	15,0
1450MF38	G3/8"	11,0	5,0	11,5	18,5
1450MF12	G1/2"	14,5	5,0	15,0	22,5
1450MF34	G3/4"	15,5	5,5	20,5	28,0
1450MF1	G1"	18,0	6,0	26,0	35,0
1450MF114	G1-1/4"	20,5	6,5	34,5	44,0
1450MF112	G1-1/2"	20,5	6,5	40,0	50,5
1450MF2	G2"	25,0	7,0	51,0	62,5

1455

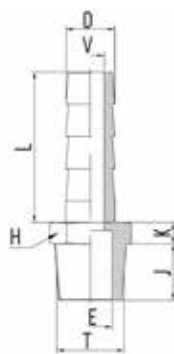
Tappo femmina cilindrico BSPP



CODE	T	L	H
1455MF18	G1/8"	12,5	13
1455MF14	G1/4"	16,0	16,5
1455MF38	G3/8"	16,5	20
1455MF12	G1/2"	21,0	24,5
1455MF34	G3/4"	22,5	30
1455MF1	G1"	26,0	37
1455MF114	G1-1/4"	29,0	46,5
1455MF112	G1-1/2"	29,0	53
1455MF2	G2"	33,5	65

1469

Portagomma maschio conico BSPT

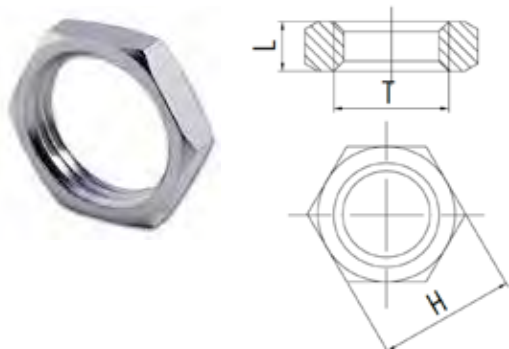


CODE	T	E	J	K	L	V	D	H
1469MF18T7	R1/8"	5,7	11,0	6,3	23,7	4,0	6,7	13
1469MF14T9	R1/4"	8,0	10,5	4,0	28,0	5,0	9,0	15
1469MF38T11	R3/8"	11,5	11,0	5,0	33,0	7,0	11,5	18
1469MF12T15	R1/2"	15,0	14,5	5,0	38,0	10,5	15,0	22
1469MF34T20	R3/4"	20,5	15,5	5,5	45,0	15,0	20,0	28
1469MF1T265	R1"	26,0	18,0	6,0	52,0	22,0	26,5	35
1469MF114T34	R1-1/4"	34,5	20,5	6,5	52,0	27,5	34	44
1469MF112T40	R1-1/2"	40,0	20,5	6,5	56,0	34,0	40	50
1469MF2T52	R2"	51,0	25,0	7,0	60,0	45,0	52,0	61,5



1475

Dado per passaparete cilindrico BSPP



CODE	T	L	H
1475MF18	G1/8"	6,0	15
1475MF14	G1/4"	6,0	18
1475MF38	G3/8"	6,0	24
1475MF12	G1/2"	7,0	30
1475MF34	G3/4"	7,0	34
1475MF1	G1"	9,0	42,5
1475MF114	G1-1/4"	11,0	52
1475MF112	G1-1/2"	11,0	58
1475MF2	G2"	13,0	72

1480

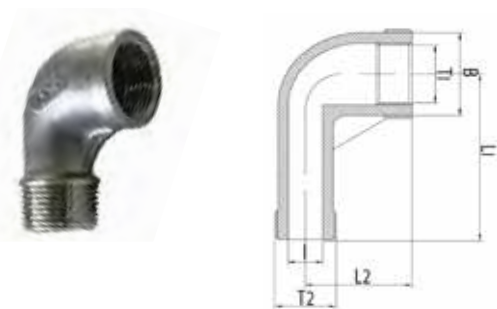
Gomito femmina cilindrico BSPP



CODE	T	L	B
1480MF18	G1/8"	17,0	13,0
1480MF14	G1/4"	19,0	16,5
1480MF38	G3/8"	23,0	20,0
1480MF12	G1/2"	27,0	24,5
1480MF34	G3/4"	32,0	30,0
1480MF1	G1"	38,0	37,5
1480MF114	G1-1/4"	45,0	46,5
1480MF112	G1-1/2"	48,0	53,0
1480MF2	G2"	57,0	65,5

1485

Gomito maschio conico BSPT / femmina cilindrico BSPP

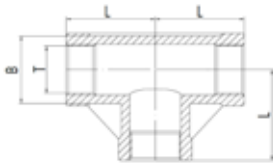


CODE	T1	T2	B	L1	L2	I
1485MF18	G1/8"	R1/8"	13,0	26,0	17,0	5,5
1485MF14	G1/4"	R1/4"	16,5	27,0	19,0	8,0
1485MF38	G3/8"	R3/8"	19,7	29,0	23,0	11,5
1485MF12	G1/2"	R1/2"	24,5	35,0	27,0	15,0
1485MF34	G3/4"	R3/4"	30,0	40,0	32,0	20,5
1485MF1	G1"	R1"	37,5	46,0	38,0	26,0
1485MF114	G1-1/4"	R1-1/4"	46,5	54,0	45,0	34,5
1485MF112	G1-1/2"	R1-1/2"	53,0	57,0	48,0	40,0
1485MF2	G2"	R2"	65,5	70,0	57,0	51,0



1490

T femmina cilindrico BSPP



CODE	T	L	B
1490MF18	G1/8"	17,0	13,0
1490MF14	G1/4"	19,0	16,5
1490MF38	G3/8"	23,0	20,0
1490MF12	G1/2"	27,0	24,5
1490MF34	G3/4"	32,0	30,0
1490MF1	G1"	38,0	37,5
1490MF114	G1-1/4"	45,0	46,5
1490MF112	G1-1/2"	48,0	53,0
1490MF2	G2"	57,0	65,5

