

SOLENOID VALVES NYLON

PLUS

BODY IN NYLON WITH FIBER GLASS

AVAILABLE WITH THREAD
OR PUSH-IN SYSTEM

FOR WATER





p. 639 /
SVP2CIR10IR10



p. 640 /
SVP2CIR38IR38



p. 640 /
SVP2CAL34IR10



p. 641 /
SVP2CAL34IR38



p. 641 /
SVP2CM38M38



p. 642 /
SVP2CM12M12

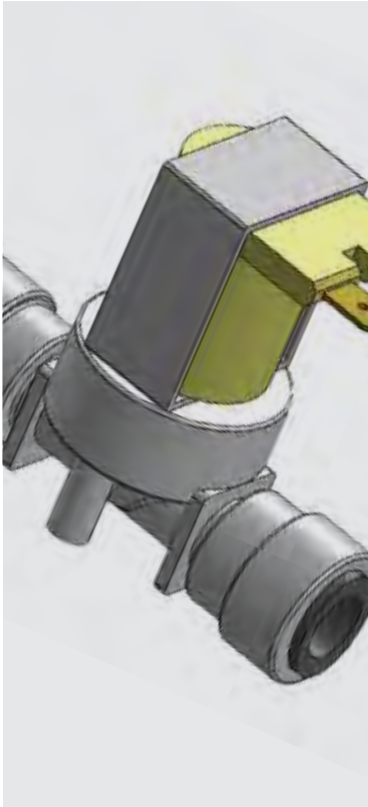


p. 642 /
SVP2CM34M34



p. 643 /
SVP2CAL34CL10





Continuous use with media up to 25°C.
3/5 minutes with media up to 90°C
room temperature 60°C



From 0,2 to 10 Bar
Burst Pressure: 80 Bar



Water

ELECTRIC ATTACHEMENT
Terminal tab 6,3 mm



Body: Nylon with fiber glass
Solenoid: Encapsulated in material, waterproof, self extinguishing

WATER HAMMER AT 6 BAR

lower than 2 Bar

FEATURES

Construction electromagnetic valves according to EN 60730-1 & EN 60730-2-8 standards.



Products in compliance with the directive 2002/95/EC

RoHS2

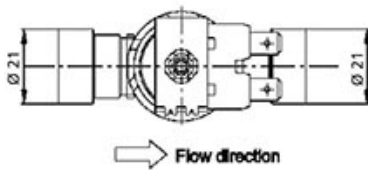
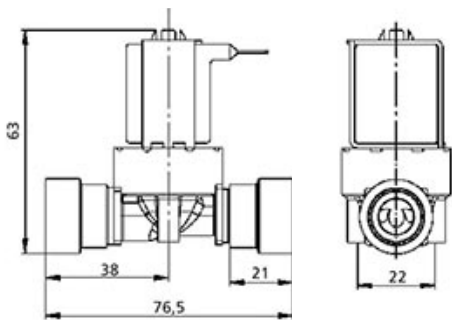
Products in compliance with the directive 2011/65/EU

SVP2CIR10IR10

Solenoid valve in nylon 2/2 ways direct acting NC



CODE	VOLTAGE	FIXING	INLET CONNECTION	OUTLET CONNECTION	GR.
SVP2CIR10IR10M1	12 V DC/AC	2 BORES Ø 2,7MM	Ø10MM TUBE PUSH-IN SYSTEM	Ø10MM TUBE PUSH-IN SYSTEM	77,0
SVP2CIR10IR10M2	24 V DC/AC				77,0
SVP2CIR10IR10M5	220/240 V AC				77,0
SVP2CIR10IR10M7	110 V AC				77,0
SVP2CIR10IR10M9	BISTABLE 5,5 - 12 V DC				77,0

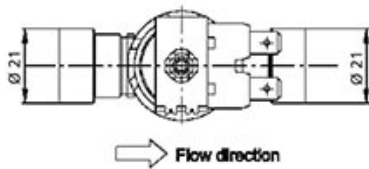
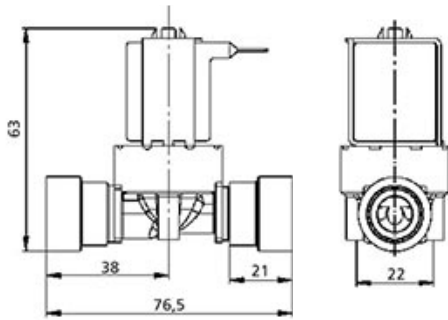


SVP2CIR38IR38

Solenoid valve in nylon 2/2 ways direct acting NC



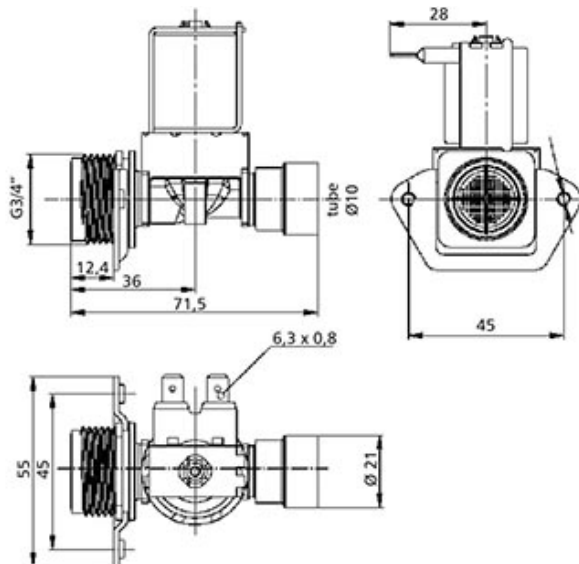
CODE	VOLTAGE	FIXING	INLET CONNECTION	OUTLET CONNECTION	GR.
SVP2CIR3/8IR3/8M1	12 V DC / AC	2 BORES Ø 2,7MM	Ø3/8" TUBE PUSH-IN SYSTEM	Ø3/8" TUBE PUSH-IN SYSTEM	77,0
SVP2CIR3/8IR3/8M2	24 V DC / AC				77,0
SVP2CIR3/8IR3/8M5	220/240 V AC				77,0
SVP2CIR3/8IR3/8M7	110 V AC				77,0
SVP2CIR3/8IR3/8M9	BISTABLE 5,5 - 12 V DC				77,0

**SVP2CAL34IR10**

Solenoid valve in nylon 2/2 ways direct acting NC



CODE	VOLTAGE	FIXING	INLET CONNECTION	OUTLET CONNECTION	GR.
SVP2CAL34IR10M1	12 V DC/AC	2 BORES Ø 2,7MM AND UNIVERSAL BRACKET WITH M4 BORES	3/4" BSPP PARALLEL THREAD	Ø10MM TUBE PUSH-IN SYSTEM	76,0
SVP2CAL34IR10M2	24 V DC/AC				76,0
SVP2CAL34IR10M5	220/240 V AC				76,0
SVP2CAL34IR10M7	110 V AC				76,0
SVP2CAL34IR10M9	BISTABLE 5,5 - 12 V DC				76,0

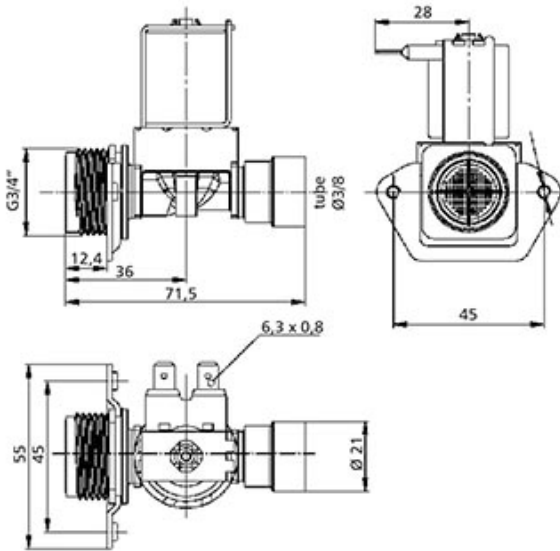


SVP2CAL34IR38

Solenoid valve in nylon 2/2 ways direct acting NC



CODE	VOLTAGE	FIXING	INLET CONNECTION	OUTLET CONNECTION	GR.
SVP2CAL34IR3/8M1	12 V DC / AC	2 BORES Ø 2,7MM AND UNIVERSAL BRACKET WITH M4 BORES	3/4" BSPP PARALLEL THREAD	Ø3/8" TUBE PUSH-IN SYSTEM	76,0
SVP2CAL34IR3/8M2	24 V DC / AC				76,0
SVP2CAL34IR3/8M5	220/240 V AC				76,0
SVP2CAL34IR3/8M7	110 V AC				76,0
SVP2CAL34IR3/8M9	BISTABLE 5,5 - 12 V DC				76,0

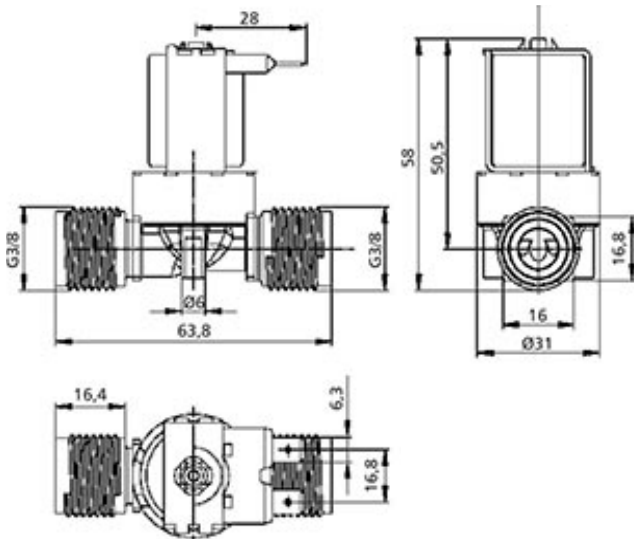


SVP2CM38M38

Solenoid valve in nylon 2/2 ways direct acting NC



CODE	VOLTAGE	FIXING	INLET CONNECTION	OUTLET CONNECTION	GR.
SVP2CM38M38M1	12 V DC/AC	2 BORES Ø 2,7MM	3/8" BSPP PARALLEL THREAD	3/8" BSPP PARALLEL THREAD	70,0
SVP2CM38M38M2	24 V DC/AC				70,0
SVP2CM38M38M5	220/240 V AC				70,0
SVP2CM38M38M7	110 V AC				70,0
SVP2CM38M38M9	BISTABLE 5,5 - 12 V DC				70,0

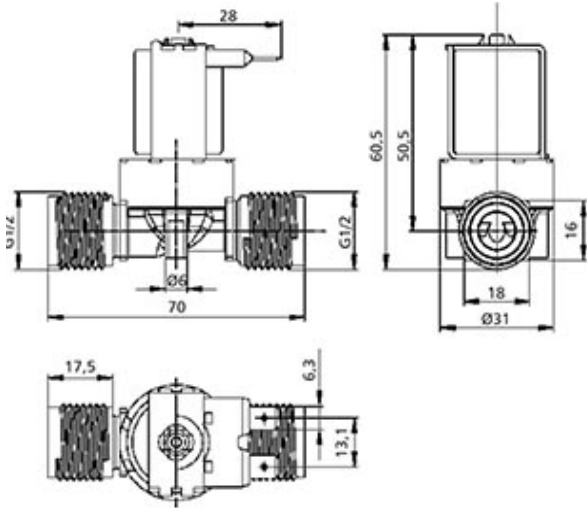


SVP2CM12M12

Solenoid valve in nylon 2/2 ways direct acting NC



CODE	VOLTAGE	FIXING	INLET CONNECTION	OUTLET CONNECTION	GR.
SVP2CM12M12M1	12 V DC/AC	2 BORES Ø 2,7MM	1/2" BSPP PARALLEL THREAD	1/2" BSPP PARALLEL THREAD	72,0
SVP2CM12M12M2	24 V DC/AC				72,0
SVP2CM12M12M5	220/240 V AC				72,0
SVP2CM12M12M7	110 V AC				72,0
SVP2CM12M12M9	BISTABLE 5,5 - 12 V DC				72,0

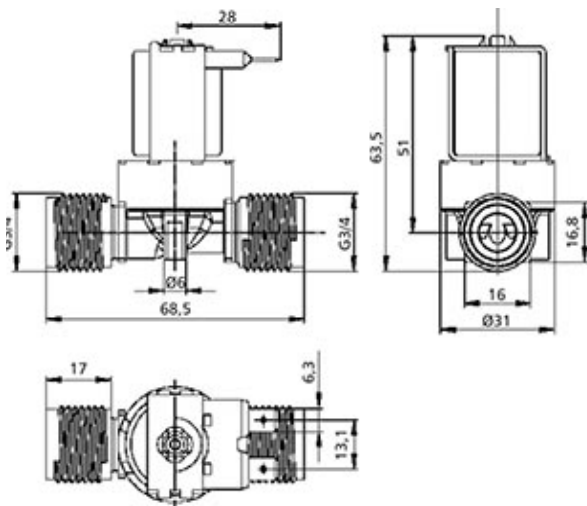


SVP2CM34M34

Solenoid valve in nylon 2/2 ways direct acting NC



CODE	VOLTAGE	FIXING	INLET CONNECTION	OUTLET CONNECTION	GR.
SVP2CM34M34M1	12 V DC/AC	2 BORES Ø 2,7MM	3/4" BSPP PARALLEL THREAD	3/4" BSPP PARALLEL THREAD	70,0
SVP2CM34M34M2	24 V DC/AC				70,0
SVP2CM34M34M5	220/240 V AC				70,0
SVP2CM34M34M7	110 V AC				70,0
SVP2CM34M34M9	BISTABLE 5,5 - 12 VDC				70,0



SVP2CAL34CL10

Solenoid valve in nylon 2/2 ways direct acting NC



CODE	VOLTAGE	FIXING	INLET CONNECTION	OUTLET CONNECTION	GR.
SVP2CAL34CL10M1	12 V DC/AC	UNIVERSAL BRACKET WITH M4 BORES	3/4" BSPP PARALLEL THREAD	Ø10MM STEM	89,0
SVP2CAL34CL10M2	24 V DC/AC				89,0
SVP2CAL34CL10M5	220/240 V AC				89,0
SVP2CAL34CL10M7	110 V AC				89,0
SVP2CAL34CL10M9	BISTABLE 5,5 - 12 VDC				89,0

