

INDUSTRIAL VALVES

INOX BALL VALVES

PLUS

**WIDE SOLUTIONS ACCORDINGLY TO
EVERY KIND OF APPLICATION**

**OPTIMIZED DIMENSIONS
& PERFORMANCES**

AVAILABLE DM174 AND EC1935/2004



**INOX
MINIBALL VALVES**



p. 623 / **9170**



p. 623 / **9180**

INOX BALL VALVES

**FULL BORE
INOX AISI 316**



p. 626 / **9320**

**THREE PIECES
FULL BORE
INOX AISI 316**



p. 628 / **9325**

**THREE WAYS
REDUCED BORE
INOX AISI 316**



p. 630 / **9340**



p. 630 / **9342**

**FLANGED
ENDS PN 16
BALL VALVES**



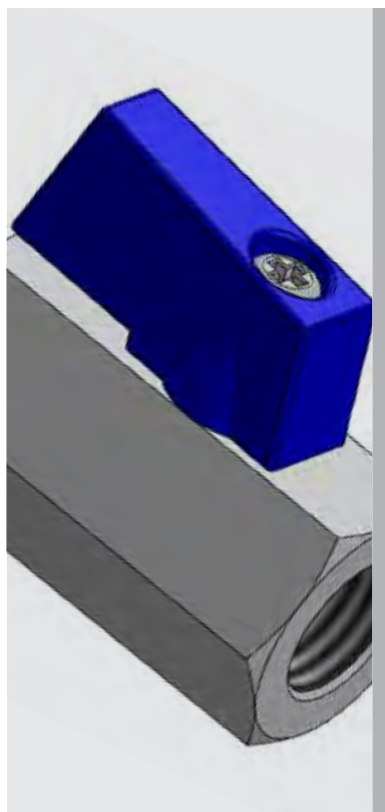
p. 632 / **9350**

INLINE FILTER INOX



p. 633 / **9400**





-25°C ÷ +180°C



63 Bar



Compressed air, water and fluids suitable with construction materials



Parallel gas BSPP ISO 228 from G1/8" to G1/2"

**Body:** Stainless steel AISI 316**Ball:** Stainless steel AISI 316**Gasket seat:** PTFE**Lever:** Aluminum

Products in compliance with the directive 2002/95/EC

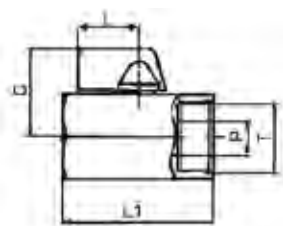
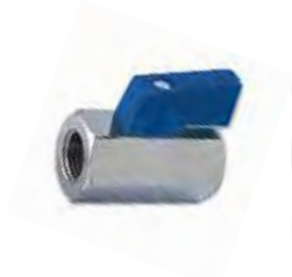
RoHS2

Products in compliance with the directive 2011/65/EU



9170

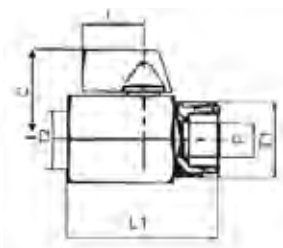
Mini ball valve F/F Inox AISI 316



CODE	T	DN	P	L	L1	C	GR.
9170TR14	G1/4"	6	7,0	22,8	42,0	26,5	83,0
9170TR38	G3/8"	8	7,0	22,8	42,0	26,5	82,0
9170TR12	G1/2"	10	9,2	22,8	46,0	28,3	116,0
9170TR34	G3/4"	12	12,5	22,8	54,0	31,5	193,0
9170TR1	G1"	15	15,0	22,8	65,0	34,0	235,0

9180

Mini ball valve M/F Inox AISI 316



CODE	T1	T2	DN	P	L	L1	C	GR.
9180TR14	R1/4"	G1/4"	6	7,0	22,8	42,0	26,5	104,0
9180TR38	R3/8"	G3/8"	8	7,0	22,8	42,0	26,5	92,0
9180TR12	R1/2"	G1/2"	10	9,2	22,8	46,0	28,3	125,0
9180TR34	R3/4"	G3/4"	12	12,5	22,8	54,0	31,5	211,0
9180TR1	R1"	G1"	15	15,0	22,8	65,0	34,0	259,0







From -25°C to +180°C



From 1/4" to 1": 85 Bar
 From 1-1/4" to 1-1/2": 70 Bar
 From 2" to 4": 63 Bar



Industrial, chemical and food installations



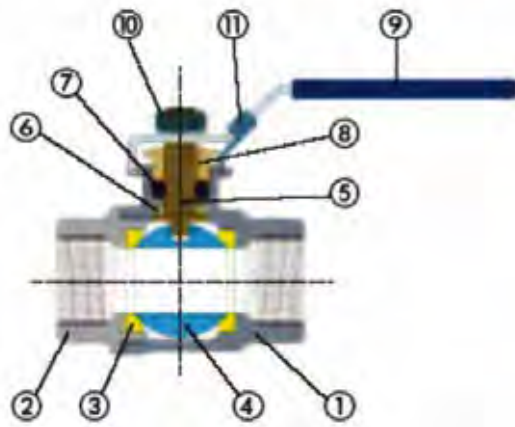
Parallel UNI ISO 228 from G1/4" to G4"



Products in compliance with the directive 2002/95/EC

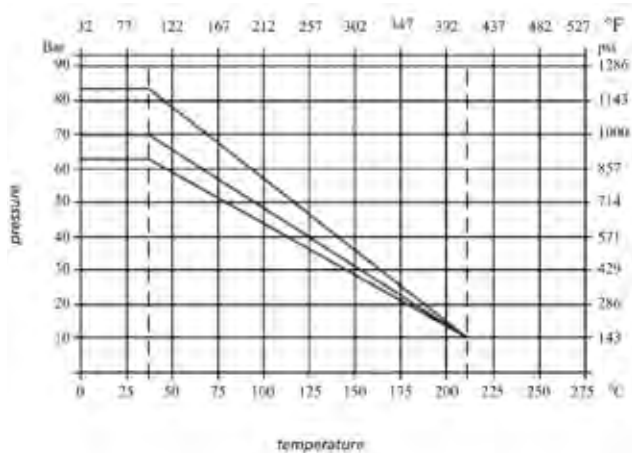
RoHS2

Products in compliance with the directive 2011/65/EU



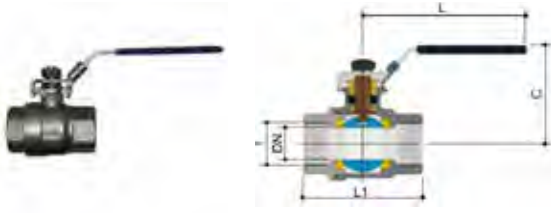
- 1. **Body:** Stainless steel AISI 316
- 2. **Body End:** Stainless steel AISI 316
- 3. **Seat:** PTFE 15% glassfiber
- 4. **Ball:** Stainless steel AISI 316
- 5. **Stem:** Stainless steel AISI 316
- 6. **Seal:** PTFE
- 7. **Stem seat:** PTFE
- 8. **Packing nut:** Stainless steel AISI 304
- 9. **Lever:** Stainless steel AISI 304 with plastic coated
- 10. **Nut:** Stainless steel AISI 304
- 11. **Locking:** Stainless steel AISI 304

PRESSURE / TEMPERATURE CHART



9320

Full bore universal ball valve, Inox AISI 316, threaded ends BSPP F/F - blue lever



CODE	T	DN	L	L1	C	GR.
9320TR14	G1/4"	11,6	100	49,0	48	230,0
9320TR38	G3/8"	12,7	100	49,0	48	230,0
9320TR12	G1/2"	15,0	100	55,0	52	260,0
9320TR34	G3/4"	20,0	115	66,0	57	480,0
9320TR1	G1"	25,0	150	78,5	75	650,0
9320TR114	G1"-1/4"	32,0	150	90,0	80	1140,0
9320TR112	G1"-1/2"	40,0	180	98,5	95	1650,0
9320TR2	G2"	50,0	180	120,0	96	2750,0
9320TR212	G2" 1/2"	65,0	245	147,0	125	4900,0
9320TR3	G3"	76,0	245	172,0	135	7700,0
9320TR4	G4"	94,0	278	220,0	160	16100,0





From -25°C to +180°C



From 1/4" to 1": 85 Bar
 From 1-1/4" to 1-1/2": 70 Bar
 From 2" to 4": 60 Bar



Industrial, chemical and food installations



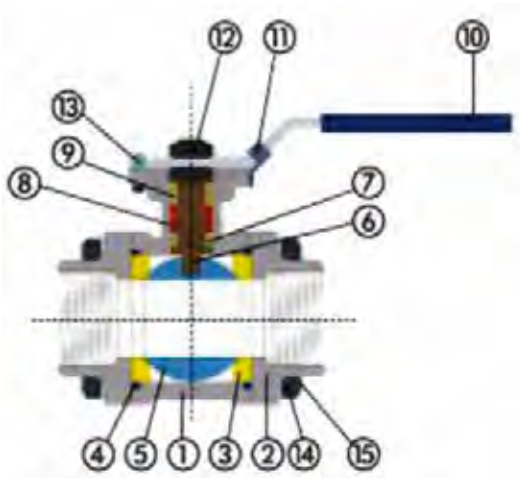
Taper UNI ISO 7
 from R1/4" to R4"



Products in compliance with the directive 2002/95/EC

RoHS2

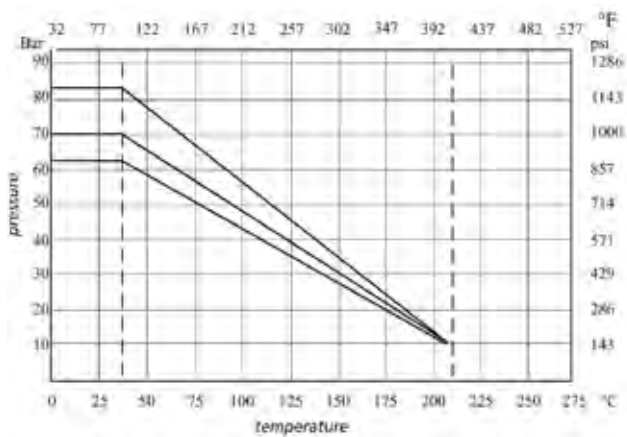
Products in compliance with the directive 2011/65/EU



- 1. **Body:** Stainless steel AISI 316
- 2. **Body End:** Stainless steel AISI 316
- 3. **Seat:** PTFE 15% glassfiber
- 4. **Body seat:** PTFE
- 5. **Ball:** Stainless steel AISI 316
- 6. **Stem:** Stainless steel AISI 316
- 7. **Seal:** PTFE
- 8. **Stem seat:** PTFE
- 9. **Packing nut:** Stainless steel AISI 304
- 10. **Lever:** Stainless steel AISI 304 with plastic coated
- 11. **Locking:** Stainless steel AISI 304
- 12. **Nut:** Stainless steel AISI 304
- 13. **Stop PIN:** Stainless steel AISI 304
- 14. **Nut:** Stainless steel AISI 304
- 15. **Bolt:** Stainless steel AISI 304

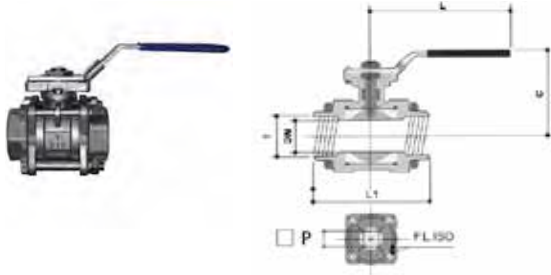


PRESSURE / TEMPERATURE CHART



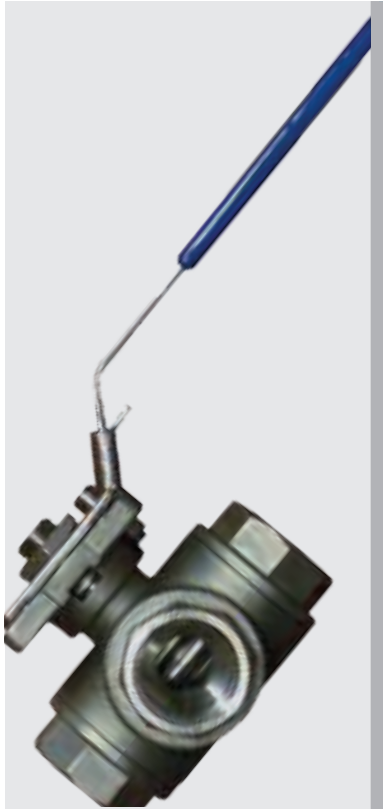
9325

Three pieces full bore universal ball valve Inox AISI 316 threaded ends BSPP F/F,
ISO 5211 mounting pad - blue lever



CODE	T	DN	L	LI	C	F.L. ISO	P	GR.
9325TR14	R1/4"	11,0	117	48	62	F03/F04	9	380,0
9325TR38	R3/8"	12,7	117	48	63	F03/F04	9	380,0
9325TR12	R1/2"	15,0	117	55	68	F03/F04	9	420,0
9325TR34	R3/4"	20,0	135	74	72	F04/F05	11	820,0
9325TR1	R1"	25,0	135	81	75	F04/F05	11	1050,0
9325TR114	R1"-1/4"	32,0	203	91	90	F05/F07	14	1840,0
9325TR112	R1"-1/2"	40,0	203	103	95	F05/F07	14	2530,0
9325TR2	R2"	50,0	203	120	102	F05/F07	14	3520,0
9325TR212	R2"-1/2"	65,0	260	142	140	F07/F10	17	8800,0
9325TR3	R3"	80,0	260	182	162	F07/F10	17	12600,0
9325TR4	R4"	100,0	280	220	170	F07/F10	17	19450,0





-50°C ÷ +250°C



From 1/4" to 1": 83 Bar
From 1-1/4" to 1-1/2": 69 Bar
For 2" : 63 Bar



Industrial, chemical and food installations



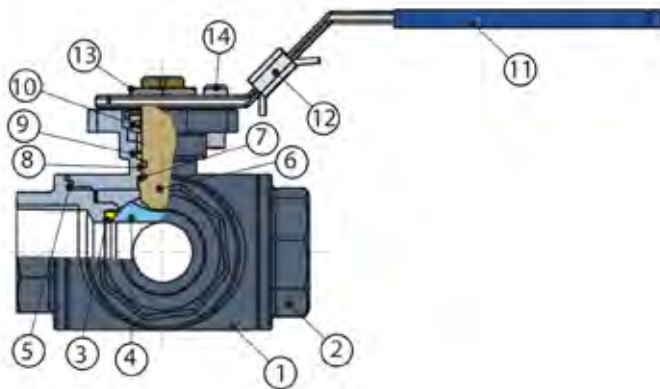
Taper UNI ISO 228 from G1/4" to G2"



Products in compliance with the directive 2002/95/EC

RoHS2

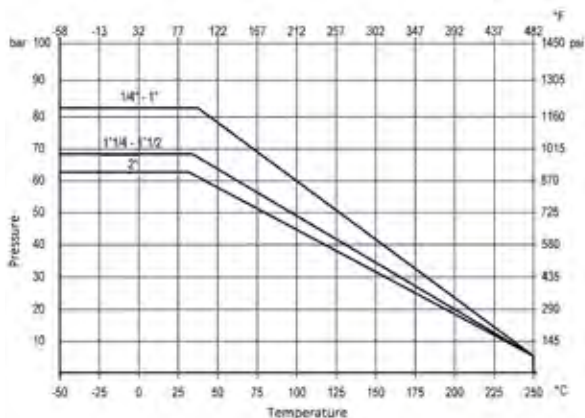
Products in compliance with the directive 2011/65/EU



- 1. **Body:** Stainless steel AISI 316
- 2. **Body End:** Stainless steel AISI 316
- 3. **Seat:** PPL
- 4. **Ball:** Stainless steel AISI 316
- 5. **Gasket:** PPL
- 6. **Stem:** Stainless steel AISI 316
- 7. **Oring:** FP
- 8. **Stem packing:** PPL
- 9. **Packing nut:** Stainless steel AISI 316
- 10. **Handle:** Stainless steel AISI 304 with plastic coated
- 11. **Locking:** Stainless steel AISI 304
- 12. **Nut:** Stainless steel AISI 304
- 13. **Stop PIN:** Stainless steel AISI 304

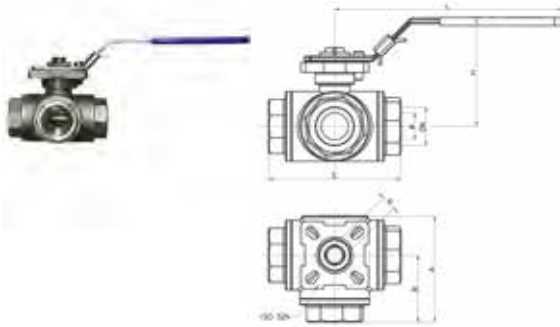


PRESSURE / TEMPERATURE CHART



9340

Three ways reduced bore universal ball valves as T PORT Inox AISI 316, threaded ends BSPP F/F/F, ISO 5211 mounting pad

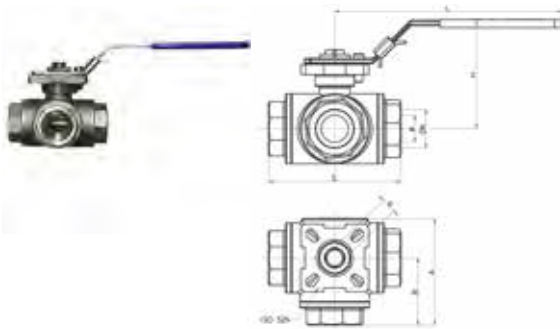


CODE	T	DN	S	A	B	H	H1	F.L. ISO	C	H	GR.
9340TR14	G1/4"	9,5	75	57,5	37,5	66	36,8	F03/F04	9	8,5	780,0
9340TR38	G3/8"	11	75	57,5	37,5	66	36,8	F03/F04	9	8,5	770,0
9340TR12	G1/2"	12	75	57,5	37,5	66	36,8	F03/F04	9	8,5	690,0
9340TR34	G3/4"	15	85	65,5	42,5	72	41,2	F04/F05	11	11,0	1136,0
9340TR1	G1"	20	100	79,0	50,0	77	46,5	F04/F05	11	12,0	1764,0
9340TR112	G1"-1/4"	25	122	97,0	61,0	92	56,0	F05/F07	14	13,5	2780,0
9340TR114	G1"-1/2"	32	131	106,5	65,5	96	60,0	F05/F07	14	13,5	4000,0
9340TR2	G2"	40	158	129,0	79,0	107	70,5	F05/F07	14	13,0	6800,0



9342

Three ways reduced bore universal ball valves as L PORT Inox AISI 316, threaded ends BSPP F/F/F, ISO 5211 mounting pad



CODE	T	DN	S	A	B	H	H1	F.L. ISO	C	H	GR.
9342TR14	G1/4"	9,5	75	57,5	37,5	66	36,8	F03/F04	9	8,5	780,0
9342TR38	G3/8"	11	75	57,5	37,5	66	36,8	F03/F04	9	8,5	770,0
9342TR12	G1/2"	12	75	57,5	37,5	66	36,8	F03/F04	9	8,5	690,0
9342TR34	G3/4"	15	85	65,5	42,5	72	41,2	F04/F05	11	11,0	1136,0
9342TR1	G1"	20	100	79,0	50,0	77	46,5	F04/F05	11	12,0	1764,0
9342TR112	G1"-1/4"	25	122	97,0	61,0	92	56,0	F05/F07	14	13,5	2780,0
9342TR114	G1"-1/2"	32	131	106,5	65,5	96	60,0	F05/F07	14	13,5	4000,0
9342TR2	G2"	40	158	129,0	79,0	107	70,5	F05/F07	14	13,0	6800,0





From -20°C to +220°C



16 Bar



Industrial, chemical and food installations



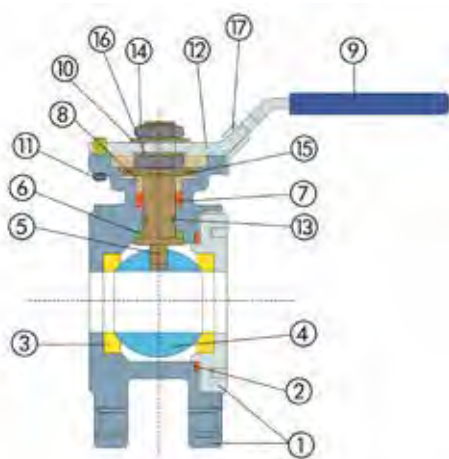
Flanged ends PN16 - ISO 5211 top for actuator



Products in compliance with the directive 2002/95/EC

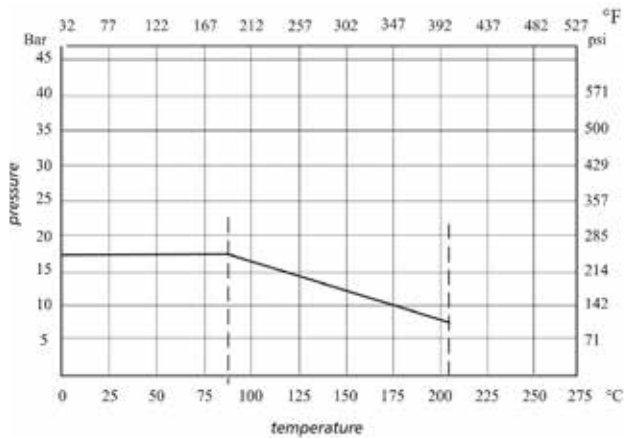


Products in compliance with the directive 2011/65/EU



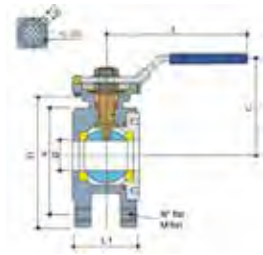
- 1. **Body/Flange:** Stainless steel AISI 316
- 2. **Body seal:** PTFE
- 3. **Seat:** PTFE 15% glassfiber
- 4. **Ball:** Stainless steel AISI 316
- 5. **Stem:** Stainless steel AISI 316
- 6. **Seal:** PTFE
- 7. **Stem seat:** PTFE
- 8. **Packing nut:** Stainless steel AISI 304
- 9. **Handle:** Stainless steel AISI 304 with pvc coated
- 10. **Washer:** Stainless steel AISI 304
- 11. **Nut:** Stainless steel AISI 304
- 12. **Stop PIN:** Stainless steel AISI 304
- 13. **Oring:** Viton
- 14. **Nut:** Stainless steel AISI 304
- 15. **Belleville washer:** Stainless steel AISI 301
- 16. **Tab Washer:** Stainless steel AISI 304
- 17. **Locking:** Stainless steel AISI 304

PRESSURE / TEMPERATURE CHART



9350

Universal ball valve Inox AISI 316, flanged ends PN16 - blue lever



CODE	DN	L	L1	D	A.	C	N°HOLES	M HOLES	F.L. ISO	P	ØHOLES	GR.
9350TR1	25	170	50	115	85	95	4	M12	F04/F05	11	42	2600,0
9350TR114	32	170	53	140	100	100	4	M16	F04/F05	11	42	2800,0
9350TR112	40	210	65	150	110	105	4	M16	F05/F07	14	50	4700,0
9350TR2	50	210	78	165	125	115	4	M16	F05/F07	14	50	6800,0
9350TR212	65	260	98	180	145	130	4	M16	F07/F10	17	70	10700,0
9350TR3	76	260	118	200	160	195	8	M16	F07/F10	17	70	14000,0
9350TR4	94	260	140	220	180	175	8	M16	F07/F10	17	102	24000,0





-20°C ÷ +200°C



40 Bar



Industrial, chemical and food installations



Taper UNI ISO 228
from G1/4" to G2"

FILTERING

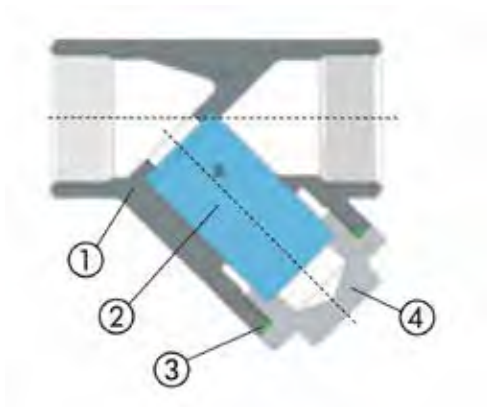
1000 μ / 170 Mesh



Products in compliance with
the directive 2002/95/EC

RoHS2

Products in compliance with
the directive 2011/65/EU



1. **Body:** stainless steel AISI 316
2. **Filter:** stainless steel AISI 316
3. **Gasket:** PTFE
4. **Plug:** stainless steel AISI 316

9400

Filter, threaded ends BSPP F/F



CODE	T	ØA	L	L1
9400TR14	G1/4"	10	65	51
9400TR38	G3/8"	12	65	51
9400TR12	G1/2"	15	65	51
9400TR34	G3/4"	20	80	60
9400TR1	G1"	25	90	72
9400TR114	G1"-1/4"	32	105	77
9400TR112	G1"-1/2"	40	120	87
9400TR2	G2"	50	140	103



